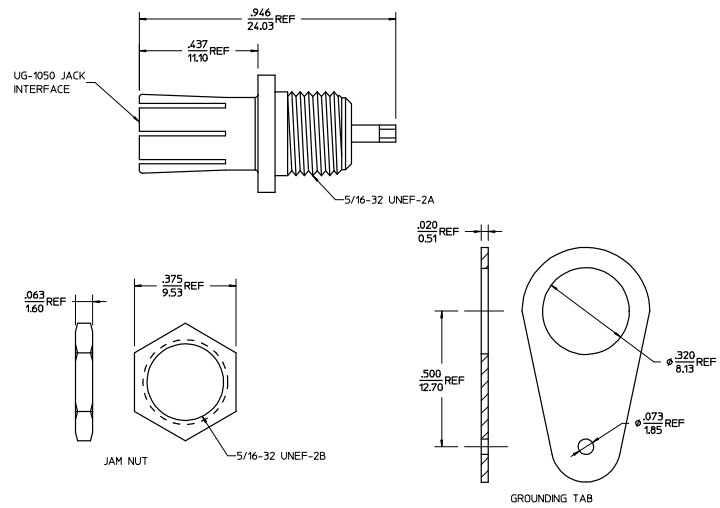


13 12 11 10 9 8 7 6 5 4 3 2 1

J  
MATERIALS AND FINISHES  
BODY: JAM NUT, GROUNDING TAB BRASS  
PLATED SILVER  
CENTER CONTACT BRASS  
PLATED SILVER  
INSULATOR TEFLON



PART NO 73415-1600

B	A	CHG: UPDATED FRAME, UPDATED SOLDER TAB DIMENSIONS. EC NO: URF2008-0467 DR: W. ROBERTSON 2008/03/17 CH: K. S. SHAH 2008/03/17 APPR: J. WIENER 2008/03/17 REV: A1	QUALITY SYMBOLS ◻=0 ◻=0	GENERAL TOLERANCES (UNLESS SPECIFIED)		DIMENSION STYLE IN/MM		SCALE	DESIGN UNITS	THIRD ANGLE PROJECTION
				4 PLACES ± .0005 3 PLACES ± .005 2 PLACES ± .01 1 PLACE ± .1 ANGULAR ± 1/2°	mm INCH ± .0005 ± .0005 ± .005 ± .005 ± .01 ± .01 ± .1 ± .1	DRAWN BY TEF DATE 2000/05/30 CHECKED BY SSS DATE 2000/05/30 APPROVED BY GMH DATE 2000/05/30	TITLE UG-1050/U JACK SLDR POT M-MC MOLEX INCORPORATED	INCH MOLEX INCORPORATED	MOLEX INCORPORATED	
DRAFT WHERE APPLICABLE MUST REMAIN WITHIN DIMENSIONS				MATERIAL NO. 734151600		DOCUMENT NO. SD-73415-160		SHEET NO. 1 OF 1		THIS DRAWING CONTAINS INFORMATION THAT IS PROPRIETARY TO MOLEX INCORPORATED AND SHOULD NOT BE USED WITHOUT WRITTEN PERMISSION

12 11 10 9 8 7 6 5 4 3 2 1

Id. From: C.P. ME-T Rev. E 2006/04/15