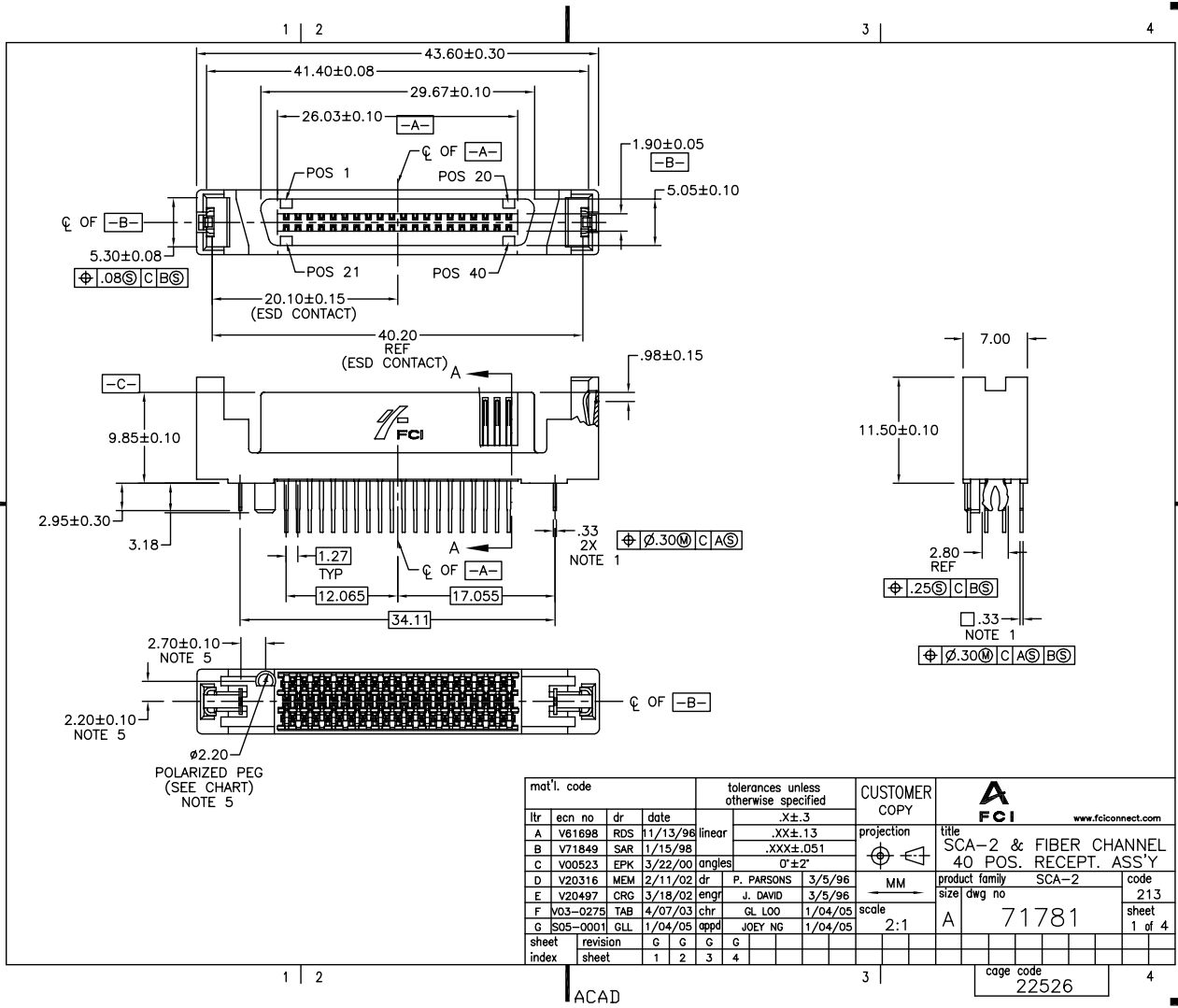


Tous droits strictement réservés. Reproduction ou communication à des tiers  
 Interdite sous quelque forme que ce soit sans autorisation écrite du propriétaire.  
 Property of FCI. Infringement is prohibited.

All rights strictly reserved. Reproduction or issue to third parties in any  
 form whatever is not permitted without written authority from the proprietor.  
 Property of FCI. Copyright FCI.

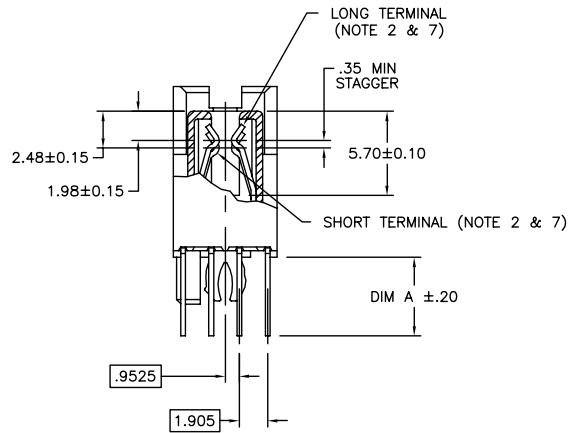


mat'l. code		tolerances unless otherwise specified		CUSTOMER COPY		FCI www.fciconnect.com		
ltr	ecn no	dr	date	linear	.XX±.13	projection	title	
A	V61698	RDS	11/13/98		.XXX±.051	MM	SCA-2 & FIBER CHANNEL	
B	V71849	SAR	1/15/96	angles	0'±2'	MM	40 POS. RECEPT. ASS'Y	
C	V00523	EPK	3/22/00			MM	product family SCA-2	
D	V20316	MEM	2/11/02	dr	P. PARSONS 3/5/96	MM	code 213	
E	V20497	CRG	3/18/02	engr	J. DAVID 3/5/96	MM	size	
F	V03-0275	TAB	4/07/03	chr	GL LOO 1/04/05	MM	dwg no	
G	IS05-0001	GLL	1/04/05	appd	JOEY NG 1/04/05	MM	71781	
sheet	revision	G	G	G	G	scale	2:1	
index	sheet	1	2	3	4		sheet 1 of 4	
							cage code	22526

Tous droits strictement réservés. Reproduction ou communication à des tiers  
Interdite sous quelque forme que ce soit sans autorisation écrite du propriétaire.  
Propriété de c FCI. Droits de reproduction FCI.



All rights strictly reserved. Reproduction or issue to third parties in any  
form whatever is not permitted without written authority from the proprietor.  
Property of FCI. Copyright FCI.



SECTION A-A

mat'l. code		tolerances unless otherwise specified		CUSTOMER COPY		www.fciconnect.com	
ltr	ecn no	dr	date	linear	projection	title	
				.X ± .3		SCA-2 & FIBER CHANNEL	
g				.XX ± .13		40 POS. RECEPT. ASS'Y	
				.XXX ± .051		product family SCA-2 code 213	
				angles	MM	size   dwg no	
				dr	scale	A 71781	
				engr	3:1	sheet 2 of	
				chr			
				appd			
sheet index	revision sheet					cage code 22526	

ACAD

PDM: Rev:G

STATUS: Released

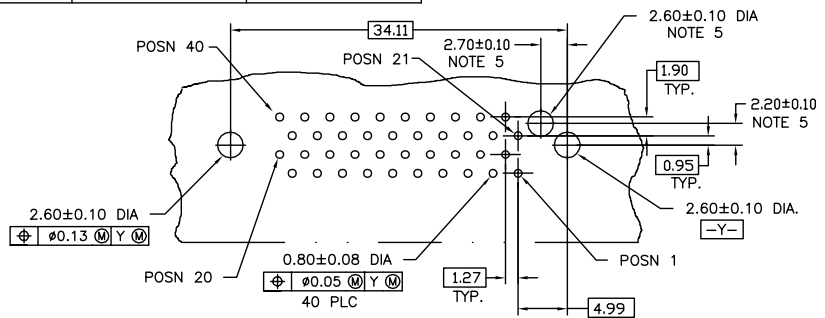
Printed: May 26, 2010

Tous droits strictement réservés. Reproduction ou communication à des tiers interdite sans quelque forme que ce soit sans autorisation écrite du propriétaire. Propriété de c FCI. Droits de reproduction FCI.



All rights strictly reserved. Reproduction or issue to third parties in any form whatever is not permitted without written authority from the proprietor. Property of FCI. Copyright FCI.

PRODUCT NO.	"A" DIM	POLARIZATION PEG	RECOMMENDED P.C. BOARD THICKNESS	PLATING	CONTACT POSITIONS
71781-001	2.79	YES	1.57mm (0.062")	SEE NOTE 4	SEE NOTE 2
-002	2.79	NO			
-003	3.18	YES	2.36mm (0.093")		
-004	3.18	NO			
-005	4.06	YES	3.18mm (0.125")		
-006	4.06	NO			
71781-007	3.18	YES	2.36mm (0.093")	SEE NOTE 4	SEE NOTE 7
71781-101	2.79	YES	1.57mm (0.062")	SEE NOTE 6	SEE NOTE 2
-102	2.79	NO			
-103	3.18	YES	2.36mm (0.093")		
-104	3.18	NO			
-105	4.06	YES	3.18mm (0.125")		
71781-106	4.06	NO			



NOTES :

- TRUE POSITION NOTES APPLY AT TERMINAL TIP.
- CONTACTS IN POSITIONS 1 THRU 20,24,25,27,28, 30, 31, 33, AND 34 ARE SHORT TERMINALS. CONTACTS IN POSITIONS 21, 22, 23, 26, 29, 32, AND 35 THRU 40 ARE LONG TERMINALS.
- RAW MATERIALS:  
HOUSING: HTN, UL94V-0, COLOR: BLACK  
CONTACTS: PHOSPHOR-BRONZE
- CONTACT PLATING: 30u" (0.76um) MIN. GXT PLATING OVER 50u" (1.27um) NICKLE MIN. UNDERPLATE IN CONTACT AREA. 100u" (2.54um) MIN. TIN-LEAD PLATING OVER 50u" (1.27um) MIN. NICKLE UNDERPLATE IN P.C. BOARD LEG AREA. 50u" (1.27um) MIN. NICKLE UNDERPLATE OVER REMAINING AREA.
- DIMENSIONS DO NOT APPLY TO CONNECTOR STYLES WITHOUT POLARIZATION PEG. (SEE CHART)
- CONTACT PLATING: 30u" (0.76um) MIN. GOLD PLATING OVER 50u" (1.27um) NICKLE MIN. UNDERPLATE IN CONTACT AREA. 100u" (2.54um) MIN. TIN-LEAD PLATING OVER 50u" (1.27um) MIN. NICKLE UNDERPLATE IN P.C. BOARD LEG AREA. 50u" (1.27um) MIN. NICKLE UNDERPLATE OVER REMAINING AREA.
- CONTACTS IN POSITIONS 1 THRU 21, 24, 25, 30-32, 35 & 40 ARE LONG TERMINALS. CONTACTS IN POSITIONS 22, 23, 26, 27, 28, 29, 33, 34, 36-39 ARE SHORT TERMINALS.

RECOMMENDED PC BOARD MOUNTING DIMENSIONS COMPONENT SIDE

mat'l. code		tolerances unless otherwise specified		CUSTOMER COPY		www.fciconnect.com		
ltr	ecn no	dr	date	linear	.XX±.13	projection	title	
g				angles	.XXX±.051		SCA-2 & FIBER CHANNEL 40 POS. RECEPT. ASS'Y	
				dr	0'±2'		product family	SCA-2
				engr	P. PARSONS 3/5/96	MM	code	213
				chr	J. DAVID 3/5/96	scale	size	dwg no
				appd	GL LOO 1/04/05	2:1	A	71781
sheet index	revision sheet							sheet 3 of
								cage code 22526

ACAD

PDM: Rev:G

STATUS:Released

Printed: May 26, 2010

Tous droits strictement réservés. Reproduction ou communication à des tiers  
Interdite sous quelque forme que ce soit sans autorisation écrite du propriétaire.  
Propriété de c FCI. Droits de reproduction FCI.



All rights strictly reserved. Reproduction or issue to third parties in any  
form whatever is not permitted without written authority from the proprietor.  
Property of FCI. Copyright FCI.

PRODUCT NO.	"A" DIM	POLARIZATION PEG	RECOMMENDED P.C. BOARD THICKNESS	PLATING	CONTACT POSITIONS
71781-001LF	2.79	YES	1.57mm (0.062")	SEE NOTE 9	SEE NOTE 2
-002LF	2.79	NO			
-003LF	3.18	YES			
-004LF	3.18	NO			
-005LF	4.06	YES			
-006LF	4.06	NO			
71781-007LF	3.18	YES	2.36mm (0.093")	SEE NOTE 9	SEE NOTE 7
71781-101LF	2.79	YES	1.57mm (0.062")	SEE NOTE 8	SEE NOTE 2
-102LF	2.79	NO			
-103LF	3.18	YES			
-104LF	3.18	NO			
-105LF	4.06	YES			
71781-106LF	4.06	NO	3.18mm (0.125")		

NOTES :

- ⑧ CONTACT PLATING: 30u" (0.76um) MIN. GOLD PLATING OVER 50u" (1.27um) NICKLE MIN. UNDERPLATE IN CONTACT AREA. 100u" (2.54um) - 200u" (5.08um) TIN PLATING OVER 50u" (1.27um) - 100u" (2.54um) NICKEL UNDERPLATE IN P.C. BOARD LEG AREA. 50u" (1.27um) NICKEL UNDERPLATE OVER REMAINING AREA.
- ⑨ CONTACT PLATING: 30u" (0.76um) MIN. GXT PLATING OVER 50u" (1.27um) NICKLE MIN. UNDERPLATE IN CONTACT AREA. 100u" (2.54um) - 200u" (5.08um) TIN PLATING OVER 50u" (1.27um) - 100u" (2.54um) NICKEL UNDERPLATE IN P.C. BOARD LEG AREA. 50u" (1.27um) NICKEL UNDERPLATE OVER REMAINING AREA.
- ⑩ THE HOUSING WILL WITHSTAND EXPOSURE TO 260°C PEAK TEMPERATURE FOR 10 SECONDS IN A WAVE SOLDER APPLICATION WITH A 1.57mm MINIMUM THICK CIRCUIT BOARD.
- ⑪ THIS PRODUCT MEETS EUROPEAN UNION DIRECTIVES AND OTHER COUNTRY REGULATIONS AS DESCRIBED IN GS-22-008.

mat'l. code		tolerances unless otherwise specified		CUSTOMER COPY		www.fciconnect.com	
ltr	ecn no	dr	date	linear	projection	title	
g				.XX±.13		SCA-2 & FIBER CHANNEL	
				.XXX±.051		40 POS. RECEPT. ASS'Y	
				angles	0°±2'	product family	code
				dr	P. PARSONS 3/5/96	SCA-2	213
				engr	J. DAVID 3/5/96	size	dwg no
				chr	GL LOO 1/04/05	A	71781
				appd	JOEY NG 1/04/05	scale	sheet
						2:1	4 of 4
sheet index	revision sheet						

cage code 22526

ACAD

PDM: Rev:G

STATUS: Released

Printed: May 26, 2010