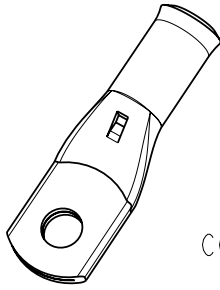
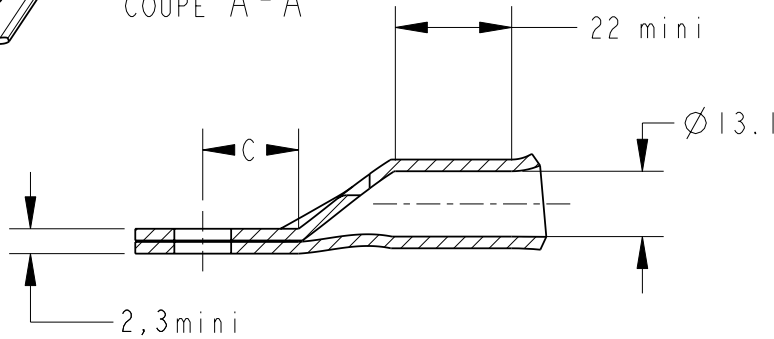


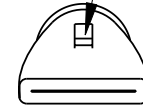
LOC	DIST	REVISIONS				
P	LTR REV	DESCRIPTION MODIFICATIONS	DATE	DWN DESS.	APVD APP.	
FH	2	E	MISE A JOURS / AJOUT NOTA	07DEC2009	BG GP	
		F	ECR-11-018538	07SEP2011	LP NA	



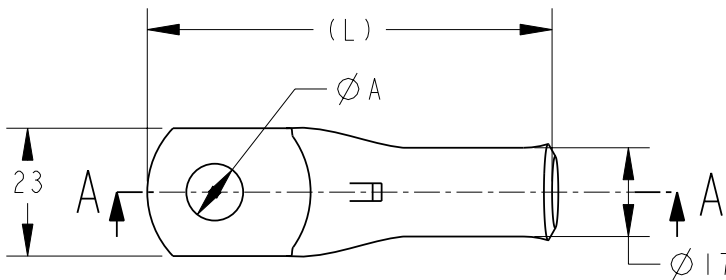
COUPE A-A



Inspection hole



Ces produits répondent à la norme NFC 20-130.
 These products are NFC 20-130 compliant.



(L)	C	Ø A	DESCRIPTION	PART NUMBER
70	16,3	8,3	XCT 95-8	709819-1
70	16,3	10,3	XCT 95-10	709819-3
70	16,3	12,8	XCT 95-12	709819-5
70	16,3	14,5	XCT 95-14	709819-7
70	16,3	16,5	XCT 95-16	709819-8

- 1 - MATERIAL = TINNED COPPER
- 2 - Marking in depth: logo-section-hole-Made in France +
- 3 - CABLE SECTION = 3/0-4/0 AWG or 95mm²
- 4 - GROOVE E95Cu OR DIE (Punch 17PCI20+ Die 17M95)

20
 RELEASED FOR PUBLICATION
 LIBRE A LA DIFFUSION

ALL RIGHTS RESERVED.
 TOUS DROITS RESERVES.

THIS DRAWING IS UNPUBLISHED.
 DIFFUSION RESTREINTE

© COPYRIGHT 20

TOLERANCES UNLESS OTHERWISE SPECIFIED TOLERANCES NON SPECIFIEES: -

FINISH FINITION ETAME

DIMENSIONS:
 mm

DWN/DESSINE 15DEC00
 D. LEGUY

MATERIAL MATIERE

CUIVRE

TE TE Connectivity

TOLERANCES UNLESS OTHERWISE SPECIFIED TOLERANCES NON SPECIFIEES (SUIV NB DE DECIMALES):

- 0 PLC/DEC: ±0
- 1 PLC/DEC: ±0
- 2 PLC/DEC: ±0
- 3 PLC/DEC: ±0
- 4 PLC/DEC: ±0

CHK/VERIFIE E. DEREY

APVD/APPROUVE N. ALMEIDA

PRODUCT SPEC SPEC. PRODUIT

APPLICATION SPEC SPEC. APPLICATION

WEIGHT MASSE APPROX.

NAME TITRE

XCT
 95-..

SIZE FORMAT

A 4

CAGE CODE

00779

DRAWING NO No PLAN

© = 709819

RESTRICTED TO RESERVE A

-

CUSTOMER DRAWING /PLAN CLIENT

UNIQUEMENT POUR REFERENCE

SCALE ECHELLE - / -

SHEET FEUILLE 1

OF DE 1

REV F