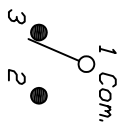


RECOMMENDED PANEL LAYOUT

SCALE 1:1



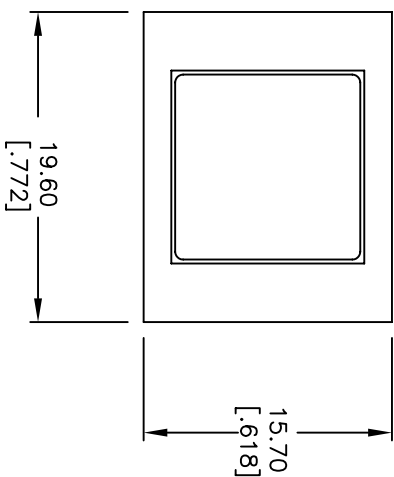
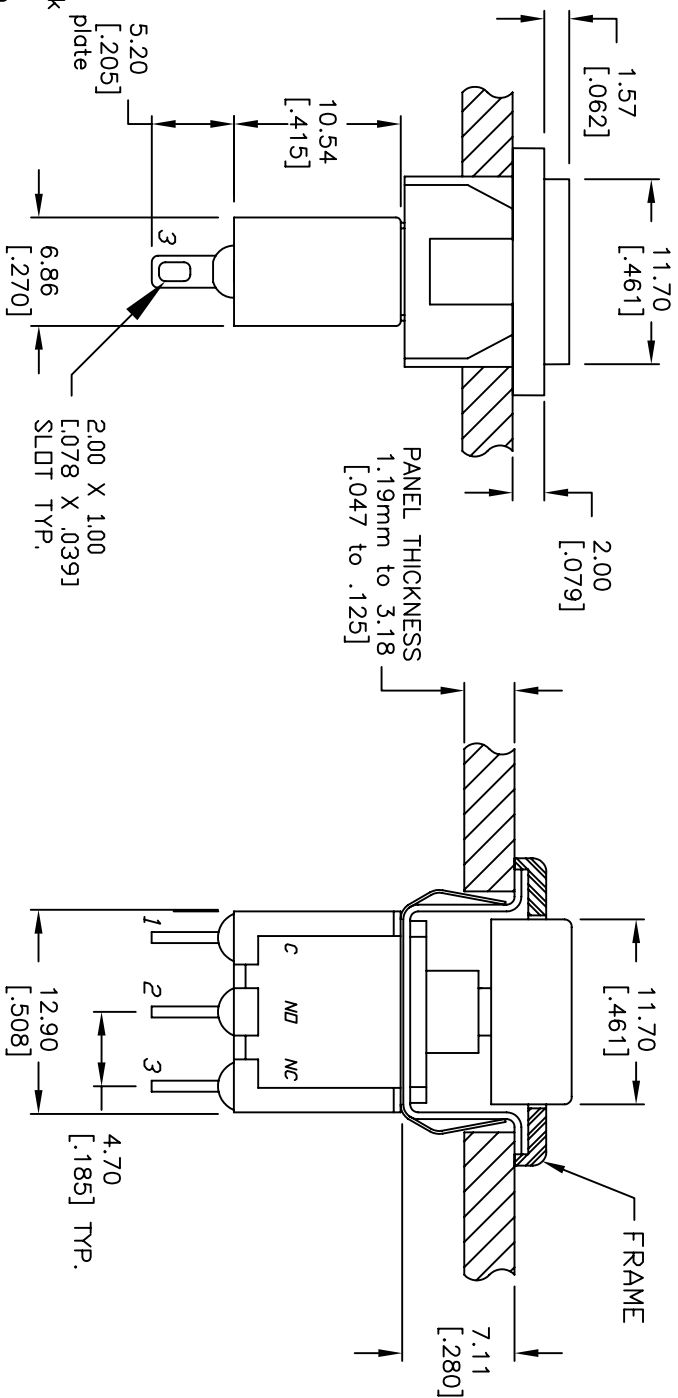
CIRCUIT: SPDT

SWITCH FUNCTION	
DN	<DN>
1-3	1-2

() = MOMENTARY

NOTES:

1. ALL DIMENSIONS IN MM [INCH]
2. GENERAL TOLERANCE: X.X=±0.4
X.XX=±0.25
3. TERM. NOS. FOR REF. ONLY
4. RATING: 0.4VA @ 20VAC OR 28VDC max. [2.05]
5. FIXED TERM. & MOVING CONTACT: Copper Alloy w/Gold plate over Nickel plate
6. ELECTRICAL LIFE: 50,000 make-and-break cycles at full load.
7. INSULATION RESISTANCE: 1,000M ohm min.
8. DIELECTRIC STRENGTH: 1000V RMS @sea level
9. OPERATING TEMP.: -30°C to 85°C



E-SWITCH®

700SP7M1REAPP2BLKBLK

REV.	ECN No.	DESCRIPTION	DATE	CHKD	PV
E	15142	CHANGED DIMENSION	8/5/05		PV
D	14541	CORRECTED TITLE	11/23/04	AR	AR
C	12150	REMOVED SPRING	5/14/02	CJB	CJB
B	11535	REVISED/ ADD NOTES 5-9	8/8/01	CJB	CJB

SCALE	DATE	DR	DWG	REV
2:1	6/8/01	CJB	T711002	E

THE INFORMATION CONTAINED IN THIS DOCUMENT IS PROPRIETARY TO E-SWITCH AND IS NOT TO BE COPIED OR TRANSMITTED