

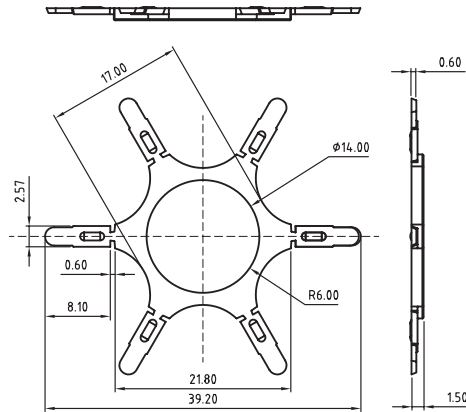
1

2

3

4

5



#### TECHNICAL CHARACTERISTICS

**MATERIAL**  
 INSULATOR: PA 66  
 FLAMABILITY RATING: UL94-V0  
 COLOR: RED

**ENVIRONMENTAL**  
 OPERATING TEMPERATURE: -40 UP TO 105°C  
 COMPLIANCE: LEAD FREE AND ROHS

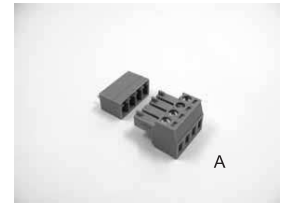
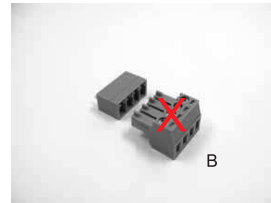
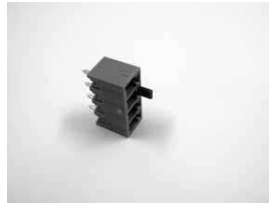
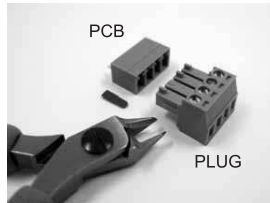
**MECHANICAL**  
 APPLICABLE PITCH: 3.50 / 3.81MM

**PACKAGING:** BOX

#### INSTRUCTION FOR USE

By using a coding key you avoid any risk of mis-plugging

For this you must add/break one part of the 691 399 900 003 in the PCB connector.  
 To cut the plug's nose on the corresponding pin n° makes the connection possible (see photo A)  
 Without cutting the plug's nose on the corresponding pin n° the connection becomes impossible (see photo B)  
 Please use recommended cut plier 600 691 000 001 for an razor cutting



RoHS Compliant

PROJECTION:



GENERAL TOLERANCE

.X = +/- 0.2

.XX = +/- 0.15



WÜRTH ELEKTRONIK

APPROVAL: RJ

UNIT: MM

SCALE:

SHEET: 1/1

DRAW: MARVIN

DESCRIPTION: CODING KEY FOR 3.50 &amp; 3.81MM PITCH SERIES WR-TBL

SIZE

A4

A 05-NOV-08

PDF

JP

REV

DATE

FILE

BY