

4

3

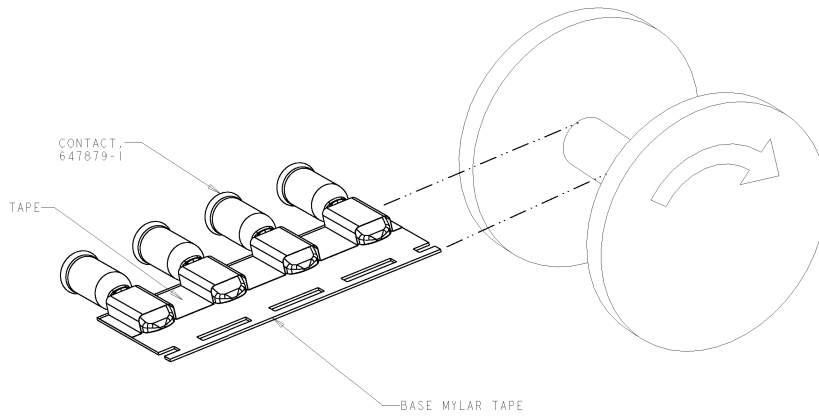
2

1

THIS DRAWING IS UNPUBLISHED. RELEASED FOR PUBLICATION 2/9  
 (C) COPYRIGHT 20 BY TYCO ELECTRONICS CORPORATION. ALL RIGHTS RESERVED.

REV	DATE	BY	CHKD	DESCRIPTION
0	07AUG2003	JE	JE	REVISED PER 0638-0200-03

1. VERIFICATION TEST SPEC. 502-1136.
2. FOR USE WITH AMP-TAPETRONIC™ MACHINE 68250-1 (DIE 68313-1 REQUIRED).



647756-1  
 PART NUMBER



<small>THIS DRAWING IS UNPUBLISHED. RELEASED FOR PUBLICATION 2/9 (C) COPYRIGHT 20 BY TYCO ELECTRONICS CORPORATION. ALL RIGHTS RESERVED.</small>		DWN: 07AUG2003 BY: WHITAKER	<b>tyco</b> <b>Electronics</b> <small>Tyco Electronics          Harrisburg, PA 17105-3400</small>
DIMENSIONS: mm (INCHES) <small>UNLESS OTHERWISE SPECIFIED</small>		APPR: ELLIS 07AUG2003 DATE: ELLIS 07AUG2003	CONTACT, 10 - 12 AWG, TAPE AND REEL, AMP POWER SERIES 50
0 PLC 1 PLC 2 PLC 3 PLC 4 PLC ANGLES FINISH	0 0.13 (0.005) * *	PRODUCT SPEC APPLICATION SPEC WEIGHT CUSTOMER DRAWING	SIZE: A2 CASE CODE: 100779 DRAWING NO: 647756 RESTRICTED TO: - SCALE: 2:1 SHEET: 1 OF 1 REV: 0