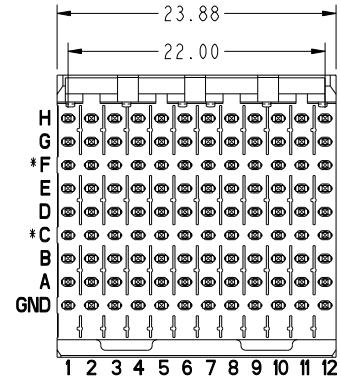
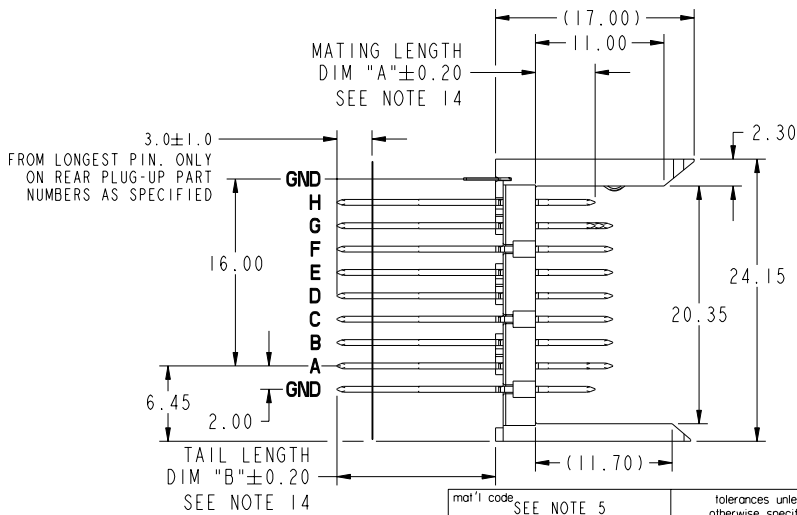
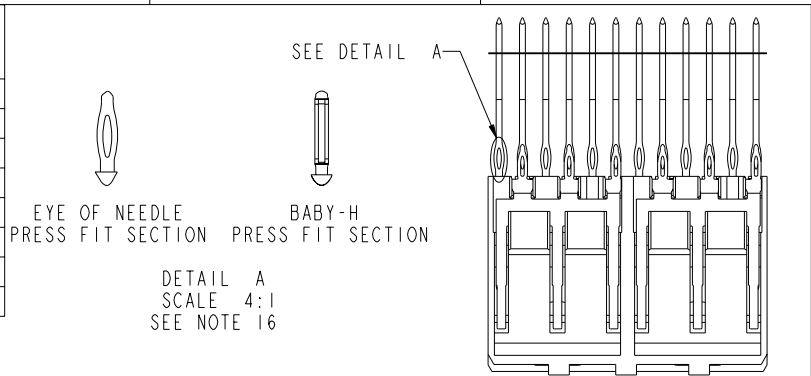


PRODUCT NUMBER	PLATING PERFORMANCE LEVEL	FOR REAR PLUG-UP APPLICATIONS USE SHROUD
63784-1YYY	TELCORDIA CO	74993-102
63784-1YYLFF	TELCORDIA CO	84625-102LFF
63784-5YYY	TELCORDIA UE	74993-502
63784-5YYLFF	TELCORDIA UE	84625-502LFF
63784-9YYY	TELCORDIA CO	74993-102
63784-9YYLFF	TELCORDIA CO	84625-102LFF
63784-AYYY	CUSTOMER SPECIAL	74993-102
63784-AYYLFF	CUSTOMER SPECIAL	84625-102LFF



mat'l code				tolerances unless otherwise specified				CUSTOMER		FCJ	
lfr	ecm no.	dr	date	linear	0.X ± 0.3	projection	COPY		www.fcjconnect.com		
AH	V06-0498	DCH	2006-05-30		0.XX ± 0.13		title		VERTICAL SIGNAL HDR 8 ROW		
AJ	V07-0169	DCH	2007-03-27		.XXX ± .051		P.F.		96 POS. SELECT LOAD EXT.		
AK	V08-0016	HTB	2008-01-10	angles	0° ± 2°		product family		METRAL 1000		
AL	V08-0051	LP	2008-02-19	dr	E. KROPER. 2001-01-10		size		dwg no		
-	-	-	-	engr	J. VOLSTORF 2001-01-10		scale		213		
AF	V05-1022	LP	2005-11-08	chr	J. VOLSTORF 2001-01-10		A		63784		
AG	V05-1125	LP	2005-12-19	oppd	J. VOLSTORF 2001-01-10				sheet 1 of 10		
sheet index	revision sheet	AL	AL	AL	AL	AL	AL	AL	AL	AL	
		1	2	3	4	5	6	7	8	9	



This document is the property of and embodies CONFIDENTIAL and PROPRIETARY information of FCJ. No part of the information shown on this document may be used in any way or disclosed to others without the written consent of FCJ. Copyright FCJ.

REV E - 2006-04-18

PDM: Rev:AL

STATUS: Released

Printed: Dec 17, 2009

cage code 22526



This document is the property of and embodies CONFIDENTIAL and PROPRIETARY information of FCJ. No part of the information shown on this document may be used in any way or disclosed to others without the written consent of FCJ. Copyright FCJ.

PIN NO.	DIM A MATING LENGTH	DIM B TAIL LENGTH	PCB THICKNESS RANGE ACCOMMODATED BY PIN'S TAIL LENGTH				
			WHEN MATING TO A 74981 SERIES RECEPTACLE		WHEN MATING TO A 52066 SERIES METRAL 4000 RECEPTACLE		
			ROWS A, B, C, D, E, F, G & H	GROUND ROW	ROWS: A, B, D, E, G & H	ROW C & F	GROUND ROW
01*	5.00	4.30	1.60 MIN	1.60 MIN	1.60 MIN	1.60 MIN	1.60 MIN
22		12.20	2.95 - 3.80	2.95 - 4.20	2.95 - 3.80	2.95 - 3.80	2.95 - 4.20
30		12.95	2.95 - 4.55	3.25 - 4.95	2.95 - 4.55	2.95 - 4.55	3.25 - 4.95
05		13.70	2.95 - 5.30	4.00 - 5.70	3.30 - 5.30	2.95 - 5.30	4.00 - 5.70
35		14.45	3.05 - 6.05	4.75 - 6.45	4.05 - 6.05	3.05 - 6.05	4.75 - 6.45
48		15.20	3.80 - 6.80	5.50 - 7.20	4.80 - 6.80	3.80 - 6.80	5.50 - 7.20
40		15.70	4.30 - 7.30	6.00 - 7.70	5.30 - 7.30	4.30 - 7.30	6.00 - 7.70
65		16.40	5.00 - 8.00	6.70 - 8.40	6.00 - 8.00	5.00 - 8.00	6.70 - 8.40
09		17.10	5.70 - 8.70	7.40 - 9.10	6.70 - 8.70	5.70 - 8.70	7.40 - 9.10
02*		5.75	4.30	1.60 MIN	1.60 MIN	1.60 MIN	1.60 MIN
44	12.20		2.95 - 3.80	2.95 - 4.20	2.95 - 3.80	2.95 - 3.80	2.95 - 4.20
31	12.95		2.95 - 4.55	3.25 - 4.95	2.95 - 4.55	2.95 - 4.55	3.25 - 4.95
06	13.70		2.95 - 5.30	4.00 - 5.70	3.30 - 5.30	2.95 - 5.30	4.00 - 5.70
36	14.45		3.05 - 6.05	4.75 - 6.45	4.05 - 6.05	3.05 - 6.05	4.75 - 6.45
49	15.20		3.80 - 6.80	5.50 - 7.20	4.80 - 6.80	3.80 - 6.80	5.50 - 7.20
25	15.70		4.30 - 7.30	6.00 - 7.70	5.30 - 7.30	4.30 - 7.30	6.00 - 7.70
66	16.40		5.00 - 8.00	6.70 - 8.40	6.00 - 8.00	5.00 - 8.00	6.70 - 8.40
10	17.10		5.70 - 8.70	7.40 - 9.10	6.70 - 8.70	5.70 - 8.70	7.40 - 9.10
03*	6.50		4.30	1.60 MIN	1.60 MIN	1.60 MIN	1.60 MIN
45		12.20	2.95 - 3.80	2.95 - 4.20	2.95 - 3.80	2.95 - 3.80	2.95 - 4.20
32		12.95	2.95 - 4.55	3.25 - 4.95	2.95 - 4.55	2.95 - 4.55	3.25 - 4.95
07		13.70	2.95 - 5.30	4.00 - 5.70	3.30 - 5.30	2.95 - 5.30	4.00 - 5.70
37		14.45	3.05 - 6.05	4.75 - 6.45	4.05 - 6.05	3.05 - 6.05	4.75 - 6.45
50		15.20	3.80 - 6.80	5.50 - 7.20	4.80 - 6.80	3.80 - 6.80	5.50 - 7.20
41		15.70	4.30 - 7.30	6.00 - 7.70	5.30 - 7.30	4.30 - 7.30	6.00 - 7.70
24		16.40	5.00 - 8.00	6.70 - 8.40	6.00 - 8.00	5.00 - 8.00	6.70 - 8.40
11		17.10	5.70 - 8.70	7.40 - 9.10	6.70 - 8.70	5.70 - 8.70	7.40 - 9.10

mat'l code: SEE NOTE 5		tolerances unless otherwise specified		CUSTOMER	www.fcjconnect.com
lfr	ecm no.	dr	date	COPY	
AL				projection	title VERTICAL SIGNAL HDR 8 ROW P.F. 96 POS. SELECT LOAD EXT.
				$0.X \pm 0.3$ $0.XX \pm 0.13$ $.XXX \pm .051$ angles $0^\circ \pm 2^\circ$	
					product family METRAL 1000 code size dwg no 213 sheet 2
				dr E. KROPER. 2001-01-10 engr J. VOLSTORF 2001-01-10 chr J. VOLSTORF 2001-01-10 oppd J. VOLSTORF 2001-01-10	
sheet index	revision sheet			scale 1:1 A	63784

REV E - 2004-04-18

PDM: Rev:AL STATUS:Released Printed: Dec 17, 2009



This document is the property of and embodies CONFIDENTIAL and PROPRIETARY information of FCJ. No part of the information shown on this document may be used in any way or disclosed to others without the written consent of FCJ. Copyright FCJ.

PIN NO.	DIM A MATING LENGTH	DIM B TAIL LENGTH	PCB THICKNESS RANGE ACCOMMODATED BY PIN LENGTH					
			WHEN MATING TO A 74981 SERIES RECEPTACLE		WHEN MATING TO A 52066 SERIES METRAL 4000 RECEPTACLE			
			ROWS A,B,C, D,E,F,G & H	GROUND ROW	ROWS A,B, D,E,G & H	ROW C & F	GROUND ROW	
04*	7.25	4.30	1.60 MIN	1.60 MIN	1.60 MIN	1.60 MIN	1.60 MIN	
46		12.20	2.95 - 3.80	2.95 - 4.20	2.95 - 3.80	2.95 - 3.80	2.95 - 4.20	
33		12.95	2.95 - 4.55	3.25 - 4.95	2.95 - 4.55	2.95 - 4.55	3.25 - 4.95	
08		13.70	2.95 - 5.30	4.00 - 5.70	3.30 - 5.30	2.95 - 5.30	4.00 - 5.70	
38		14.45	3.05 - 6.05	4.75 - 6.45	4.05 - 6.05	3.05 - 6.05	4.75 - 6.45	
51		15.20	3.80 - 6.80	5.50 - 7.20	4.80 - 6.80	3.80 - 6.80	5.50 - 7.20	
42		15.70	4.30 - 7.30	6.00 - 7.70	5.30 - 7.30	4.30 - 7.30	6.00 - 7.70	
67		16.40	5.00 - 8.00	6.70 - 8.40	6.00 - 8.00	5.00 - 8.00	6.70 - 8.40	
12		17.10	5.70 - 8.70	7.40 - 9.10	6.70 - 8.70	5.70 - 8.70	7.40 - 9.10	
19*		8.00	4.30	1.60 MIN	1.60 MIN	1.60 MIN	1.60 MIN	1.60 MIN
47			12.20	2.95 - 3.80	2.95 - 4.20	2.95 - 3.80	2.95 - 3.80	2.95 - 4.20
34			12.95	2.95 - 4.55	3.25 - 4.95	2.95 - 4.55	2.95 - 4.55	3.25 - 4.95
20	13.70		2.95 - 5.30	4.00 - 5.70	3.30 - 5.30	2.95 - 5.30	4.00 - 5.70	
39	14.45		3.05 - 6.05	4.75 - 6.45	4.05 - 6.05	3.05 - 6.05	4.75 - 6.45	
52	15.20		3.80 - 6.80	5.50 - 7.20	4.80 - 6.80	3.80 - 6.80	5.50 - 7.20	
43	15.70		4.30 - 7.30	6.00 - 7.70	5.30 - 7.30	4.30 - 7.30	6.00 - 7.70	
68	16.40		5.00 - 8.00	6.70 - 8.40	6.00 - 8.00	5.00 - 8.00	6.70 - 8.40	
21	17.10		5.70 - 8.70	7.40 - 9.10	6.70 - 8.70	5.70 - 8.70	7.40 - 9.10	

- * STUB PINS - NO REAR PLUG-UP
- ** THE GREATEST RANGE OCCURS WHEN THE B DIMENSION OF PIN 'GND' IS ONE SIZE SHORTER THEN THE OTHER PINS.

mat'l code		SEE NOTE 5		tolerances unless otherwise specified		CUSTOMER		FCJ		www.fcjconnect.com	
lfr	ecm no.	dr	date	linear	0.X ±0.3	projection	COPY		title		
AL					.XX ±0.13				VERTICAL SIGNAL HDR 8 ROW		
				angles	.XXX ±.051				P.F. 96 POS. SELECT LOAD EXT.		
					0° ±2°	scale			product family		code
				dr	E. KROPER. 2001-01-10	1:1			METRAL 1000		213
				engr	J. VOLSTORF 2001-01-10				size		sheet
				chr	J. VOLSTORF 2001-01-10				63784		3
				appd	J. VOLSTORF 2001-01-10				dwg no		
sheet index	revision sheet										

REV E - 2004-04-18

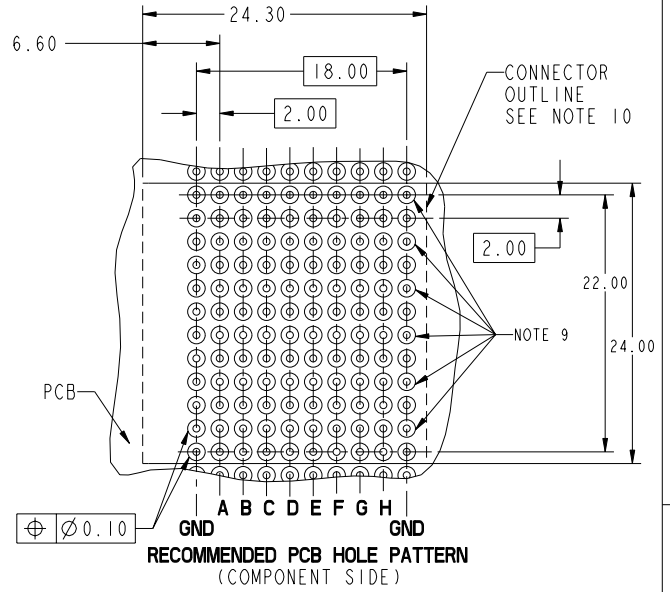
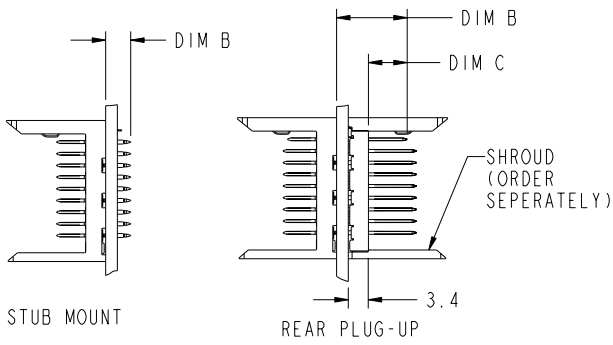
PDM: Rev:AL STATUS:Released Printed: Dec 17, 2009

cage code 22526



This document is the property of and embodies
 CONFIDENTIAL and PROPRIETARY information of FCJ.
 No part of the information shown on this
 document may be used in any way or disclosed
 to others without the written consent of FCJ.
 Copyright FCJ.

PRODUCT NUMBER
SEE SHEET 1



PRESS-FIT HOLES *	OPTION 1
HOLE DIAMETER AFTER PLATING	Ø 0.65-0.80
DRILLED HOLE	Ø 0.81-0.86 (Ø 0.85 DRILL)
COPPER PLATING	0.025 MIN
SnPb PLATING	0.005-0.015

* SEE PRINT 58351 FOR ADDITIONAL PCB INFO.

mat'l code: SEE NOTE 5				tolerances unless otherwise specified		CUSTOMER		FCJ	
ltr	ecn no.	dr	date	linear	0.X ±0.3	projection	COPY		www.fcjconnect.com
AL				angles	0.XX ±0.13		title		VERTICAL SIGNAL HDR 8 ROW P.F. 96 POS. SELECT LOAD EXT.
					.XXX ±.051		product family		
				dr	0° ±2°		size		213
				eng	E. KROPER. 2001-01-10		dwg no		4
				chr	J. VOLSTORF 2001-01-10		A		63784
				appd	J. VOLSTORF 2001-01-10		scale		1:1
sheet index	revision sheet								

REV E - 2004-04-18

Pro/E 3 cage code 22526 4

PDM: Rev:AL STATUS:Released Printed: Dec 17, 2009

PRODUCT NUMBER
SEE SHEET 1

NOTES:

- 1. SEE APPLICATION SPECIFICATION GS-20-010 FOR INFORMATION ON AVAILABLE TOOLING, CURCUIT BOARD DESIGN CONSIDERATIONS, REPAIR PROCEDURES AND PRODUCT OFFERINGS.
- 2. SEE FCI PUBLICATION 950511-028 FOR "ELECTRICAL PERFORMANCE DATA FOR DIFFERENTIAL APPLICATIONS."
- 3. SEE FCI PUBLICATION 950511-028 FOR "ELECTRICAL PERFORMANCE DATA FOR SINGLE-ENDED APPLICATION."
- 4. UNLESS OTHERWISE SPECIFIED, ALL DIMENSIONS AND TOLERANCES TOLERANCES ARE IN ACCORDANCE WITH ASME Y14.5M, 1994
- 5. HOUSING MATERIAL: LIQUID CRYSTAL POLYMER, 30% GLASS FILLED, FLAME RETARDANT PER UL 94-V0.
PIN MATERIAL: PHOSPHER BRONZE
GROUND SPRING MATERIAL: PHOSPHER BRONZE
- 6. PLATING INFORMATION: PLATING ON CONTACT AREA MEETS THE PERFORMANCE LEVELS SHOWN IN TABLE ON SHEET 1. PLATING ON "LF" TAILS IS Sn. PLATING ON ALL OTHER TAILS IS SnPb.
- 7. DIMENSIONAL RESTRICTIONS OF PINS IN HEADERS.
FOR MATING WITH METRAL 1000 RECEPTACLES
DIM A : 5.00mm MIN, 8.00mm MAX FOR ROWS A-H
DIM A : 5.00mm MIN, 5.75mm MAX FOR ROW GND NEXT TO ROW A
DIM C : 5.00mm MIN, 8.00mm MAX FOR ROWS A-H
DIM C : 4.60mm MIN, 6.30mm MAX FOR ROW GND NEXT TO ROW A
FOR MATING WITH METRAL 4000 RECEPTACLES
DIM A : 5.00mm MIN, 6.50mm MAX FOR ROWS A, B, D, E, G & H
DIM A : 5.00mm MIN, 8.00mm MAX FOR ROW C & F
DIM A : 5.00mm MIN, 5.75mm MAX FOR ROW GND NEXT TO ROW A
DIM C : 5.00mm MIN, 7.00mm MAX FOR ROWS A, B, D, E, G & H
DIM C : 5.00mm MIN, 8.00mm MAX FOR ROW C & F
DIM C : 4.60mm MIN, 6.30mm MAX FOR ROW GND NEXT TO ROW A
- 8. THE MIN PCB THICKNESS FOR REAR PLUG-UP APPLICATIONS IS 2.9mm SINCE THE COMPLIANT SECTIONS OF THE GROUND SPRING OF THE HEADER DIRECTLY OPPOSE THE GROUND SPRING OF THE SHROUD. THE MIN PCB THICKNESS FOR FRONT PLUG-UP ONLY APPLICATIONS IS 1.6mm.

- 9. THESE HOLES ARE NEEDED FOR REAR PLUG-UP DESIGNS USING A SHROUD AND MAY BE OMITTED FOR FRONT PLUG-UP ONLY DESIGNS.
- 10. THE 'CONNECTOR OUTLINE' IS THE MIN OUTLINE REQUIRED. TO DETERMINE THE OUTLINE NECESSARY TO PERMIT THE VARIOUS TYPES OF REPAIR OPERATIONS, SEE APPLICATION SPECIFICATION GS-20-010.
- 11. CURRENT RATING : 1 AMP PER PIN
- 12. TEMPERATURE RANGE : -55°C TO +105°C
- 13. P/N 63784-XXXXLF
LEAD FREE (OPTIONAL)
SELECT LOAD PATTERN
PLATING CODE
- 14. AFTER INSERTION INTO CIRCUIT BOARD WITH QUALIFIED TOOL.
- 15. PRODUCTS WHERE THE PART NUMBER ENDS IN LF MEET EUROPEAN UNION DIRECTIVES AND OTHER COUNTRY REGULATIONS AS DESCRIBED IN GS-22-008.
ALL PRODUCTS WILL WITHSTAND EXPOSURE TO 260°C FOR 60 SECONDS IN A CONVECTION, INFRA-RED OR VAPOR PHASE REFLOW OVEN.
- 16. PIN TYPE IS AT THE MANUFACTURERS OPTION AND CAN BE EITHER BABY-H OR EYE OF THE NEEDLE STYLE



This document is the property of and embodies CONFIDENTIAL and PROPRIETARY information of FCI. No part of the information shown on this document may be used in any way or disclosed to others without the written consent of FCI. Copyright FCI.

mat'l code SEE NOTE 5				tolerances unless otherwise specified		CUSTOMER		FCI www.fciconnect.com	
ltr	ecn no.	dr	date	linear	0.X ±0.3	COPY		title	
AL				angles	0.XX ±0.13	projection		VERTICAL SIGNAL HDR 8 ROW	
					.XXX ±.051	MM		P.F. 96 POS. SELECT LOAD EXT.	
				dr	0° ±2°	scale		product family METRAL 1000	
				eng		1:1		code	
				ctr	E. KROPER. 2001-01-10			size	
				appd	J. VOLSTORF 2001-01-10			dwg no	
					J. VOLSTORF 2001-01-10			213	
sheet index	revision sheet							sheet	
								5	
								63784	
								code	
								22526	
								4	



This document is the property of and embodies CONFIDENTIAL and PROPRIETARY information of FCI. No part of the information shown on this document may be used in any way or disclosed to others without the written consent of FCI. Copyright FCI.

METRAL P/N	ROW	CONTACT CODE											
		1	2	3	4	5	6	7	8	9	10	11	12
63784-X001 FOR LEAD FREE SEE NOTE 15	H	01	01	01	01	01	01	01	01	01	01	01	01
	G	01	01	01	01	01	01	03	03	03	01	19	
	F	01	01	01	01	19	01	01	01	01	01	19	
	E	01	01	01	01	19	01	03	03	03	01	19	
	D	01	01	01	01	19	01	01	01	01	01	19	
	C	01	01	01	01	19	01	01	01	01	01	19	
	B	01	01	01	01	19	01	01	01	01	01	19	
	A	01	01	01	01	01	01	01	01	01	01	19	
	GND	01	01	01	01	01	01	01	01	01	01	01	

CANNOT BE MATED TO A METRAL 4000 RECEPTACLE

METRAL P/N	ROW	CONTACT CODE											
		1	2	3	4	5	6	7	8	9	10	11	12
63784-X002 RPU FOR LEAD FREE SEE NOTE 15	H	05	05	05	05	05	05	05	05	05	05	05	05
	G	05	05	05	05	05	05	05	05	05	05	05	05
	F	05	05	05	05	05	05	05	05	05	05	05	05
	E	05	05	05	05	05	05	05	05	05	05	05	05
	D	01	01	01	01	01	01	01	01	01	01	01	01
	C	01	01	01	01	01	01	01	01	01	01	01	01
	B	01	01	01	01	01	01	01	01	01	01	01	01
	A	01	01	01	01	01	01	01	01	01	01	01	01
	GND	01	01	01	01	01	01	01	01	01	01	01	01

FOR REAR PLUG UP APPLICATIONS, PCB THICKNESS RANGE: 2.95 -5.30 WHEN MATED TO METRAL 1000 RECEPT. AND 3.30-5.30 WHEN MATED TO METRAL 4000 RECEPT. (2.30 MIN IN NON-STANDARD REAR PLUG UP APPLICATIONS)

METRAL P/N	ROW	CONTACT CODE											
		1	2	3	4	5	6	7	8	9	10	11	12
63784-X003 RPU FOR LEAD FREE SEE NOTE 15	H	01	01	01	01	01	01	01	01	01	01	01	01
	G	01	01	01	01	01	01	01	01	01	01	01	01
	F	01	01	01	01	01	01	01	01	01	01	01	01
	E	05	05	05	05	05	05	05	05	05	05	05	05
	D	05	05	05	05	05	05	05	05	05	05	05	05
	C	05	05	05	05	05	05	05	05	05	05	05	05
	B	05	05	05	05	05	05	05	05	05	05	05	05
	A	05	05	05	05	05	05	05	05	05	05	05	05
	GND	01	01	01	01	01	01	01	01	01	01	01	01

FOR REAR PLUG UP APPLICATIONS, PCB THICKNESS RANGE: 2.95 -5.30 WHEN MATED TO METRAL 1000 RECEPT. AND 3.30-5.30 WHEN MATED TO METRAL 4000 RECEPT. (2.30 MIN IN NON-STANDARD REAR PLUG UP APPLICATIONS)

METRAL P/N	ROW	CONTACT CODE											
		1	2	3	4	5	6	7	8	9	10	11	12
63784-X004 FOR LEAD FREE SEE NOTE 15	H	01	01	01	01	01	01	01	01	01	01	01	01
	G	01	01	01	01	01	03	03	03	03	01	19	
	F	01	01	01	01	01	01	01	01	01	01	19	
	E	01	01	01	01	01	03	03	03	03	01	19	
	D	01	01	01	01	01	01	01	01	01	01	19	
	C	01	01	01	01	01	01	01	01	01	01	19	
	B	01	01	01	01	01	01	01	01	01	01	19	
	A	01	01	01	01	01	01	01	01	01	01	19	
	GND	01	01	01	01	01	01	01	01	01	01	01	

CANNOT BE MATED TO A METRAL 4000 RECEPTACLE

METRAL P/N	ROW	CONTACT CODE											
		1	2	3	4	5	6	7	8	9	10	11	12
63784-X005 RPU FOR LEAD FREE SEE NOTE 15	H	05	05	05	05	05	01	01	01	01	01	01	01
	G	05	05	05	05	05	01	01	01	01	01	01	01
	F	05	05	05	05	05	01	01	01	01	01	01	01
	E	05	05	05	05	05	01	01	01	01	01	01	01
	D	01	01	01	01	01	01	01	01	01	01	01	01
	C	01	01	01	01	01	01	01	01	01	01	01	01
	B	01	01	01	01	01	01	01	01	01	01	01	01
	A	01	01	01	01	01	01	01	01	01	01	01	01
	GND	01	01	01	01	01	01	01	01	01	01	01	01

FOR REAR PLUG UP APPLICATIONS, PCB THK RANGE: 2.95-5.30 WHEN MATED TO METRAL 1000 RECEPT. AND 3.30-5.30 WHEN MATED TO METRAL 4000 RECEPT. (2.30 MIN IN NON-STANDARD REAR PLUG UP APPLICATIONS)

METRAL P/N	ROW	CONTACT CODE											
		1	2	3	4	5	6	7	8	9	10	11	12
63784-X006 RPU FOR LEAD FREE SEE NOTE 15	H	05	05	05	05	05	05	05	05	05	05	05	05
	G	05	05	05	05	05	05	05	05	05	05	05	05
	F	05	05	05	05	05	05	05	05	05	05	05	05
	E	05	05	05	05	05	05	05	05	05	05	05	05
	D	19	19	19	19	19	19	19	19	19	19	19	19
	C	01	01	01	01	01	01	01	01	01	01	01	01
	B	01	01	01	01	01	01	01	01	01	01	01	01
	A	01	01	01	01	01	01	01	01	01	01	01	01
	GND	01	01	01	01	01	01	01	01	01	01	01	01

FOR REAR PLUG UP APPLICATIONS, PCB THICKNESS RANGE: 2.95 -5.30 WHEN MATED TO METRAL 1000 RECEPT. AND THIS CONFIGURATION CANNOT BE MATED TO A METRAL 4000 RECEPT. (2.30 MIN IN NON-STANDARD REAR PLUG UP APPLICATIONS)

METRAL P/N	ROW	CONTACT CODE											
		1	2	3	4	5	6	7	8	9	10	11	12
63784-X007 FOR LEAD FREE SEE NOTE 15	H	02	02	02	02	02	02	02	02	02	02	02	02
	G	02	02	02	02	02	02	02	02	02	02	02	02
	F	02	02	02	02	02	02	02	02	02	02	02	02
	E	03	01	02	02	02	02	02	02	02	02	02	02
	D	02	02	02	02	02	02	02	02	02	02	02	03
	C	02	02	02	02	02	02	02	02	02	02	02	02
	B	02	02	02	02	02	02	02	02	02	02	02	02
	A	02	02	02	02	02	02	02	02	02	02	02	02
	GND	02	02	02	02	02	02	02	02	02	02	02	02

METRAL P/N	ROW	CONTACT CODE											
		1	2	3	4	5	6	7	8	9	10	11	12
63784-X008 FOR LEAD FREE SEE NOTE 15	H	02	02	02	02	02	02	02	01	01	01	01	01
	G	02	02	02	02	02	02	02	02	02	02	02	02
	F	02	02	02	02	02	02	02	02	02	02	02	02
	E	02	02	02	02	02	02	02	02	02	02	02	02
	D	02	02	02	02	02	02	02	02	02	02	02	02
	C	02	02	02	02	02	02	02	02	02	02	02	02
	B	02	02	02	02	02	02	02	02	02	02	02	02
	A	02	02	02	02	02	02	02	02	02	02	02	02
	GND	02	02	02	02	02	02	02	02	02	02	02	02

METRAL P/N	ROW	CONTACT CODE											
		1	2	3	4	5	6	7	8	9	10	11	12
63784-X009 RPU FOR LEAD FREE SEE NOTE 15	H	49	49	49	49	49	49	49	49	49	49	49	49
	G	49	49	49	49	49	49	49	49	49	49	49	49
	F	49	49	49	49	49	49	49	49	49	49	49	49
	E	49	49	49	49	49	49	49	49	49	49	49	49
	D	49	49	49	49	49	49	49	49	49	49	49	49
	C	49	49	49	49	49	49	49	49	49	49	49	49
	B	49	49	49	49	49	49	49	49	49	49	49	49
	A	35	49	49	49	49	49	49	49	49	49	49	49
	GND	36	36	36	36	36	36	36	36	36	36	36	36

FOR REAR PLUG UP APPLICATIONS, PCB THICKNESS RANGE: 4.75 -6.05 WHEN MATED TO METRAL 1000 RECEPT. AND 4.80-6.05 WHEN MATED TO METRAL 4000 RECEPT.

mat'l code: SEE NOTE 5				tolerances unless otherwise specified		CUSTOMER		FCI	
litr	ecm no.	dr	date	0.XX ±0.13		COPY		www.fciconnect.com	
AL				linear 0.XX ±0.13		projection		title	
				.XXX ±.051		MM		VERTICAL SIGNAL HDR 8 ROW	
				angles 0° ±2°		MM		P.F. 96 POS. SELECT LOAD EXT.	
				dr	E. KROPER	2001-01-10		product family	
				engr	J. VOLSTORF	2001-01-10		METRAL 1000	
				chr	J. VOLSTORF	2001-01-10		size	dwg no
				appd	J. VOLSTORF	2001-01-10		63784	
sheet index	revision	sheet					scale	A	code
							1:1		213
									sheet
									6

code code 22526



This document is the property of and embodies CONFIDENTIAL and PROPRIETARY information of FCI. No part of the information shown on this document may be used in any way or disclosed to others without the written consent of FCI. Copyright FCI.

METRAL P/N	ROW	CONTACT CODE												
		1	2	3	4	5	6	7	8	9	10	11	12	
63784-X010 FOR LEAD FREE SEE NOTE 15	H	02	02	02	02	02	02	02	02	01	02	02	02	02
	G	02	02	02	02	02	02	02	01	02	02	02	02	02
	F	02	02	02	02	02	02	02	02	02	02	02	02	02
	E	02	02	02	02	02	02	02	01	02	02	02	02	02
	D	02	02	02	02	02	02	02	01	02	02	02	02	02
	C	02	02	02	02	02	02	02	02	02	02	02	02	02
	B	02	02	02	02	02	02	02	02	02	02	02	02	02
	A	02	02	02	02	02	02	02	02	01	02	02	02	02
GND	02	02	02	02	02	02	02	02	02	02	02	02	02	

1 | 2

METRAL P/N	ROW	CONTACT CODE												
		1	2	3	4	5	6	7	8	9	10	11	12	
63784-X015 FOR LEAD FREE SEE NOTE 15	H	02	02	02	02	02	02	02	02	02	02	02	02	02
	G	02	02	02	02	02	02	02	02	02	02	02	02	02
	F	03	03	03	03	03	03	03	03	03	03	03	03	03
	E	02	02	02	02	02	02	02	02	02	02	02	02	02
	D	02	02	02	02	02	02	02	02	02	02	02	02	02
	C	03	03	03	03	03	03	03	03	03	03	03	03	03
	B	02	02	02	02	02	02	02	02	02	02	02	02	02
	A	01	02	02	02	02	02	02	02	02	02	02	02	02
GND	02	02	02	02	02	02	02	02	02	02	02	02	02	

3 |

METRAL P/N	ROW	CONTACT CODE												
		1	2	3	4	5	6	7	8	9	10	11	12	
63784-X016 RPU FOR LEAD FREE SEE NOTE 15	H	49	49	49	49	49	49	49	49	49	49	49	49	49
	G	49	49	49	49	49	49	49	49	49	49	49	49	49
	F	41	41	41	41	41	41	41	41	41	41	41	41	41
	E	49	49	49	49	49	49	49	49	49	49	49	49	49
	D	49	49	49	49	49	49	49	49	49	49	49	49	49
	C	41	41	41	41	41	41	41	41	41	41	41	41	41
	B	49	49	49	49	49	49	49	49	49	49	49	49	49
	A	48	49	49	49	49	49	49	49	49	49	49	49	49
GND	49	49	49	49	49	49	49	49	49	49	49	49	49	

PCB THICKNESS RANGE FOR REAR PLUG UP APPLICATIONS 5.50 TO 6.80

4

METRAL P/N	ROW	CONTACT CODE												
		1	2	3	4	5	6	7	8	9	10	11	12	
63784-X017 FOR LEAD FREE SEE NOTE 15	H	02	02	02	02	02	02	02	02	02	02	02	02	02
	G	04	04	04	04	04	04	04	04	04	02	02	02	02
	F	02	02	02	02	02	02	02	02	02	02	02	02	02
	E	02	02	02	02	02	02	02	02	02	02	02	02	02
	D	04	04	04	04	04	04	04	04	04	02	02	02	02
	C	02	02	02	02	02	02	02	02	02	02	02	02	02
	B	02	02	02	02	02	02	02	02	02	02	02	02	02
	A	04	04	04	04	04	04	04	04	04	02	02	02	02
GND	01	01	01	01	01	01	01	01	01	01	01	01	01	

CAN NOT BE MATED TO A METRAL 4000 RECEPTACLE

A

METRAL P/N	ROW	CONTACT CODE												
		1	2	3	4	5	6	7	8	9	10	11	12	
63784-X013 FOR LEAD FREE SEE NOTE 15	H	02	02	02	02	02	02	02	02	02	02	02	02	02
	G	02	02	02	02	02	02	02	02	02	02	02	02	02
	F	02	02	02	02	02	02	02	02	02	02	02	02	02
	E	03	02	02	02	01	02	02	02	02	02	02	02	02
	D	02	02	02	02	02	02	02	02	02	02	02	02	02
	C	02	02	02	02	02	02	02	02	02	02	02	02	02
	B	02	02	02	02	02	02	02	02	02	02	02	02	02
	A	02	02	02	02	02	02	02	02	02	02	02	02	02
GND	02	02	02	02	02	02	02	02	02	02	02	02	02	

FOR REAR PLUG UP APPLICATIONS. PCB THICKNESS RANGE: 2.95 -3.80 WHEN MATED TO METRAL 1000 RECEPT. AND THIS CONFIGURATION CAN NOT BE MATED TO A METRAL 4000 RECEPT.

METRAL P/N	ROW	CONTACT CODE												
		1	2	3	4	5	6	7	8	9	10	11	12	
63784-X014 FOR LEAD FREE SEE NOTE 15	H	03	03	03	03	03	03	03	03	03	03	03	03	01
	G	03	03	03	03	03	03	03	03	03	03	03	03	03
	F	01	03	03	03	03	03	03	03	03	03	03	03	03
	E	03	03	03	03	03	03	03	03	03	03	03	03	03
	D	03	03	03	03	03	03	03	03	03	03	03	03	03
	C	03	03	03	03	03	03	03	03	03	03	03	03	03
	B	03	03	03	03	03	03	03	03	03	03	03	03	03
	A	19	19	19	19	19	19	19	19	19	19	19	19	19
GND	01	01	01	01	01	01	01	01	01	01	01	01	01	

CAN NOT BE MATED TO A METRAL 4000 RECEPTACLE

mat'l code SEE NOTE 5				tolerances unless otherwise specified				CUSTOMER				FCI www.fciconnect.com			
lfr	ecr no.	dr	date	0.X ± 0.3				COPY				title VERTICAL SIGNAL HDR 8 ROW P.F. 96 POS. SELECT LOAD EXT.			
AL				0.XX ± 0.13				projection				product family METRAL 1000 code 213			
				.XXX ± .051								size dwg no 63784 sheet 7			
				angles 0° ± 2°											
				dr E. KROPER. 2001-01-10				scale 1:1							
				engr J. VOLSTORF 2001-01-10											
				chr J. VOLSTORF 2001-01-10											
				appd J. VOLSTORF 2001-01-10											
sheet index	revision	sheet										cage code 22526 4			

B

1 | 2

Pro/E 3 |



This document is the property of and embodies CONFIDENTIAL and PROPRIETARY information of FCI. No part of the information shown on this document may be used in any way or disclosed to others without the written consent of FCI. Copyright FCI.

CONTACT CODE													
METRAL P/N	ROW	1	2	3	4	5	6	7	8	9	10	11	12
63784-X019 RPU FOR LEAD FREE SEE NOTE 15	H	03	03	03	03	03	03	03	03	03	03	03	03
	G	03	03	03	03	03	03	03	03	03	03	03	03
	F	-	03	-	03	-	03	-	03	-	03	-	03
	E	41	41	41	41	41	41	41	41	41	41	41	41
	D	41	41	41	41	41	41	41	41	41	41	41	41
	C	24	24	24	24	24	24	24	24	24	24	24	24
B	41	41	41	41	41	41	41	41	41	41	41	41	
A	24	24	24	24	24	24	24	24	24	24	24	24	
GND	49	49	49	49	49	49	49	49	49	49	49	49	

FOR REAR PLUG UP APPLICATIONS, PCB THICKNESS RANGE: 5.70 - 7.30 WHEN MATED TO METRAL 1000 RECEPT, AND 6.70-7.30 WHEN MATED TO METRAL 4000 RECEPT. (2.30 MIN IN NON-STANDARD REAR PLUG UP APPLICATIONS)

CONTACT CODE													
METRAL P/N	ROW	1	2	3	4	5	6	7	8	9	10	11	12
63784-X020 RPU FOR LEAD FREE SEE NOTE 15	H	03	03	03	03	03	03	03	03	03	03	03	03
	G	03	03	03	03	03	03	03	03	03	03	03	03
	F	-	03	-	03	-	03	-	03	-	03	-	03
	E	41	41	41	41	41	41	41	41	41	41	41	41
	D	37	37	37	37	37	37	37	37	37	37	37	37
	C	50	50	50	50	50	50	50	50	50	50	50	50
B	37	37	37	37	37	37	37	37	37	37	37	37	
A	50	50	50	50	50	50	50	50	50	50	50	50	
GND	06	06	06	06	06	06	06	06	06	06	06	06	

FOR REAR PLUG UP APPLICATIONS, PCB THICKNESS RANGE: 4.30 - 5.70 WHEN MATED TO METRAL 1000 RECEPT, AND 5.30-5.70 WHEN MATED TO METRAL 4000 RECEPT. (2.30 MIN IN NON-STANDARD REAR PLUG UP APPLICATIONS)

CONTACT CODE													
METRAL P/N	ROW	1	2	3	4	5	6	7	8	9	10	11	12
63784-X021 RPU FOR LEAD FREE SEE NOTE 15	H	03	03	03	03	03	03	03	03	03	03	03	03
	G	03	03	03	03	03	03	03	03	03	03	03	03
	F	-	03	-	03	-	03	-	03	-	03	-	03
	E	41	41	41	41	41	41	41	41	41	41	41	41
	D	37	37	37	37	37	37	37	37	37	37	37	37
	C	50	50	50	50	50	50	50	50	50	50	50	50
B	37	37	37	37	37	37	37	37	37	37	37	37	
A	50	50	50	50	50	50	50	50	50	50	50	50	
GND	06	06	06	06	06	06	06	06	06	06	06	06	

FOR REAR PLUG UP APPLICATIONS, PCB THICKNESS RANGE: 4.30 - 5.70 WHEN MATED TO METRAL 1000 RECEPT, AND 5.30-5.70 WHEN MATED TO METRAL 4000 RECEPT. (2.30 MIN IN NON-STANDARD REAR PLUG UP APPLICATIONS)

CONTACT CODE													
METRAL P/N	ROW	1	2	3	4	5	6	7	8	9	10	11	12
63784-X022 RPU FOR LEAD FREE SEE NOTE 15	H	03	03	03	03	03	03	03	03	03	03	03	03
	G	03	03	03	03	03	03	03	03	03	03	03	03
	F	-	03	-	03	-	03	-	03	-	03	-	03
	E	41	41	41	41	41	41	41	41	41	41	41	41
	D	37	37	37	37	37	37	37	37	37	37	37	37
	C	50	50	50	50	50	50	50	50	50	50	50	50
B	37	37	37	37	37	37	37	37	37	37	37	37	
A	50	50	50	50	50	50	50	50	50	50	50	50	
GND	06	06	06	06	06	06	06	06	06	06	06	06	

FOR REAR PLUG UP APPLICATIONS, PCB THICKNESS RANGE: 4.30 - 5.70 WHEN MATED TO METRAL 1000 RECEPT, AND 5.30-5.70 WHEN MATED TO METRAL 4000 RECEPT. (2.30 MIN IN NON-STANDARD REAR PLUG UP APPLICATIONS)

CONTACT CODE													
METRAL P/N	ROW	1	2	3	4	5	6	7	8	9	10	11	12
63784-X023 RPU FOR LEAD FREE SEE NOTE 15	H	03	03	03	03	03	03	03	03	03	03	03	03
	G	03	03	03	03	03	03	03	03	03	03	03	03
	F	-	03	-	03	-	03	-	03	-	03	-	03
	E	03	03	03	03	41	41	41	41	41	41	41	41
	D	03	03	03	03	37	37	37	37	37	37	37	37
	C	03	03	03	03	50	50	50	50	50	50	50	50
B	03	03	03	03	37	37	37	37	37	37	37	37	
A	03	03	03	03	50	50	50	50	50	50	50	50	
GND	02	02	02	02	06	06	06	06	06	06	06	06	

FOR REAR PLUG UP APPLICATIONS, PCB THICKNESS RANGE: 4.30-5.70 WHEN MATED TO METRAL 1000 RECEPT, AND 5.30-5.70 WHEN MATED TO METRAL 4000 RECEPT. (2.30 MIN IN NON-STANDARD REAR PLUG-UP APPLICATIONS)

mat'l code SEE NOTE 5				tolerances unless otherwise specified		CUSTOMER		FCI www.fciconnect.com	
lfr	ecn no.	dr	date	linear	0.XX ± 0.13	COPY		projection	
AL					0.XX ± 0.13	A		title VERTICAL SIGNAL HDR 8 ROW P.F. 96 POS. SELECT LOAD EXT.	
				angles	.XXX ± .051	MM		product family METRAL 1000 code 213	
				dr	0° ± 2°	scale 1:1		size dwg no 63784 sheet 8	
				engr	E. KROPER 2001-01-10	A		cage code 22526	
				ctr	J. VOLSTORF 2001-01-10				
				appd	J. VOLSTORF 2001-01-10				
sheet index	revision	sheet							



This document is the property of and embodies CONFIDENTIAL and PROPRIETARY information of FCI. No part of the information shown on this document may be used in any way or disclosed to others without the written consent of FCI. Copyright FCI.

REV E - 2004-04-18

METRAL P/N	ROW	CONTACT CODE											
		1	2	3	4	5	6	7	8	9	10	11	12
63784-X028 RPU FOR LEAD FREE SEE NOTE 15	H	05	05	05	05	05	05	05	05	05	05	05	05
	G	05	05	05	05	05	05	05	05	05	05	05	05
	F	05	05	05	05	05	05	05	05	05	05	05	05
	E	05	05	05	05	05	05	05	05	05	05	05	05
	D	01	01	01	01	01	01	01	01	01	01	01	01
	C	01	01	01	01	01	01	01	01	01	01	01	01
	B	01	01	01	01	01	01	01	01	01	01	01	01
	A	01	01	01	01	01	01	01	01	01	01	01	01
	GND	01	01	01	01	01	01	01	01	01	01	01	01

FOR REAR PLUG UP APPLICATIONS, PCB THICKNESS RANGE: 2.95 -5.30 WHEN MATED TO METRAL 1000 RECEPT. AND 3.30-5.30 WHEN MATED TO METRAL 4000 RECEPT. (2.30 MIN IN NON-STANDARD REAR PLUG UP APPLICATIONS) NO PIN ALIGNER

METRAL P/N	ROW	CONTACT CODE											
		1	2	3	4	5	6	7	8	9	10	11	12
63784-X029 RPU FOR LEAD FREE SEE NOTE 15	H	01	01	01	01	01	01	01	01	01	01	01	01
	G	01	01	01	01	01	01	01	01	01	01	01	01
	F	01	01	01	01	01	01	01	01	01	01	01	01
	E	05	05	05	05	05	05	05	05	05	05	05	05
	D	05	05	05	05	05	05	05	05	05	05	05	05
	C	05	05	05	05	05	05	05	05	05	05	05	05
	B	05	05	05	05	05	05	05	05	05	05	05	05
	A	05	05	05	05	05	05	05	05	05	05	05	05
	GND	01	01	01	01	01	01	01	01	01	01	01	01

FOR REAR PLUG UP APPLICATIONS, PCB THICKNESS RANGE: 2.95 -5.30 WHEN MATED TO METRAL 1000 RECEPT. AND 3.30-5.30 WHEN MATED TO METRAL 4000 RECEPT. (2.30 MIN IN NON-STANDARD REAR PLUG UP APPLICATIONS) NO PIN ALIGNER

METRAL P/N	ROW	CONTACT CODE											
		1	2	3	4	5	6	7	8	9	10	11	12
63784-X030 RPU FOR LEAD FREE SEE NOTE 15	H	05	05	05	05	05	05	01	01	01	01	01	01
	G	05	05	05	05	05	05	01	01	01	01	01	01
	F	05	05	05	05	05	05	01	01	01	01	01	01
	E	05	05	05	05	05	05	01	01	01	01	01	01
	D	01	01	01	01	01	01	01	01	01	01	01	01
	C	01	01	01	01	01	01	01	01	01	01	01	01
	B	01	01	01	01	01	01	01	01	01	01	01	01
	A	01	01	01	01	01	01	01	01	01	01	01	01
	GND	01	01	01	01	01	01	01	01	01	01	01	01

FOR REAR PLUG UP APPLICATIONS, PCB THICKNESS RANGE: 2.95 -5.30 WHEN MATED TO METRAL 1000 RECEPT. AND 3.30-5.30 WHEN MATED TO METRAL 4000 RECEPT. (2.30 MIN IN NON-STANDARD REAR PLUG UP APPLICATIONS) NO PIN ALIGNER

METRAL P/N	ROW	CONTACT CODE											
		1	2	3	4	5	6	7	8	9	10	11	12
63784-X031 RPU FOR LEAD FREE SEE NOTE 15	H	05	05	05	05	05	05	05	05	05	05	05	05
	G	05	05	05	05	05	05	05	05	05	05	05	05
	F	05	05	05	05	05	05	05	05	05	05	05	05
	E	05	05	05	05	05	05	05	05	05	05	05	05
	D	19	19	19	19	19	19	19	19	19	19	19	19
	C	01	01	01	01	01	01	01	01	01	01	01	01
	B	01	01	01	01	01	01	01	01	01	01	01	01
	A	01	01	01	01	01	01	01	01	01	01	01	01
	GND	01	01	01	01	01	01	01	01	01	01	01	01

FOR REAR PLUG UP APPLICATIONS, PCB THICKNESS RANGE: 2.95 -5.30 WHEN MATED TO METRAL 1000 RECEPT. AND 3.30-5.30 WHEN MATED TO METRAL 4000 RECEPT. (2.30 MIN IN NON-STANDARD REAR PLUG UP APPLICATIONS) NO PIN ALIGNER

METRAL P/N	ROW	CONTACT CODE											
		1	2	3	4	5	6	7	8	9	10	11	12
63784-X032 RPU FOR LEAD FREE SEE NOTE 15	H	03	03	03	03	03	03	03	03	03	03	19	02
	G	03	03	03	03	03	03	03	03	03	03	19	19
	F	-	03	-	03	-	03	-	03	-	03	-	03
	E	41	41	41	41	41	41	41	41	03	03	19	19
	D	37	37	37	37	37	37	37	37	19	19	03	03
	C	50	50	50	50	50	50	50	50	03	03	19	19
	B	37	37	37	37	37	37	37	37	03	03	19	19
	A	50	50	50	50	50	50	50	50	03	03	19	19
	GND	06	06	06	06	06	06	06	06	02	02	02	02

FOR REAR PLUG UP APPLICATIONS, PCB THICKNESS RANGE: 4.30-5.70 WHEN MATED TO METRAL 1000 RECEPT. CANNOT BE MATED TO METRAL 4000 RECEPT. (2.30 MIN IN NON-STANDARD REAR PLUG UP APPLICATIONS)

mat'l code	ecr no.	dr	date
AL			

tolerances unless otherwise specified	CUSTOMER
0.xx ±0.3	COPY
.xxx ±.051	projection
° ±2°	MM
dr E. KROPER. 2001-01-10	scale
engr J. VOLSTORF 2001-01-10	1:1
ctr J. VOLSTORF 2001-01-10	
appd J. VOLSTORF 2001-01-10	

FCI	www.fciconnect.com
title	VERTICAL SIGNAL HDR 8 ROW P.F. 96 POS. SELECT LOAD EXT.
product family	METRAL 1000
code	213
size	dwg no 63784
sheet	g

sheet index	revision

Pro/E	3	4

PDM: Rev:AL STATUS:Released Printed: Dec 17, 2009

cage code	22526

1 | 2

3 |

4

A

A

B

B

1 | 2

3 |

4



This document is the property of and embodies CONFIDENTIAL and PROPRIETARY information of FCJ. No part of the information shown on this document may be used in any way or disclosed to others without the written consent of FCJ. Copyright FCJ.

METRAL P/N	ROW	CONTACT CODE											
		1	2	3	4	5	6	7	8	9	10	11	12
63784-X037 FOR LEAD FREE SEE NOTE 15	H	03	02	02	03	02	03	02	02	02	02	03	02
	G	03	02	02	03	02	03	02	03	03	02	03	02
	F	03	02	02	03	03	03	03	02	02	03	03	02
	E	03	02	02	03	02	03	02	03	02	02	03	02
	D	03	02	02	03	02	03	02	03	02	02	03	02
	C	03	02	02	03	03	03	03	03	02	03	03	02
	B	03	02	02	03	02	03	02	02	02	02	03	02
	A	03	02	02	03	02	03	02	02	02	02	03	02
GND	02	02	02	02	02	02	02	02	02	02	02	02	

METRAL P/N	ROW	CONTACT CODE											
		1	2	3	4	5	6	7	8	9	10	11	12
63784-X038 FOR LEAD FREE SEE NOTE 15	H	02	02	02	19	-	19	-	02	-	02	-	19
	G	02	02	02	19	-	19	-	02	-	02	-	19
	F	02	-	02	19	-	19	-	-	-	02	-	19
	E	02	02	02	19	-	19	-	02	-	02	-	19
	D	02	02	02	19	-	19	-	02	-	02	-	19
	C	02	02	02	19	-	19	-	02	-	02	-	19
	B	02	02	02	19	-	19	-	02	-	02	-	19
	A	02	02	02	19	-	19	-	02	-	02	-	19
GND	-	-	-	-	-	-	-	-	-	-	-	-	

METRAL P/N	ROW	CONTACT CODE											
		1	2	3	4	5	6	7	8	9	10	11	12
63784-X039 FOR LEAD FREE SEE NOTE 15	H	02	02	02	02	02	02	02	02	03	03	03	03
	G	02	02	02	02	02	02	02	02	03	03	03	03
	F	02	02	02	03	02	02	02	02	03	03	03	03
	E	02	02	02	01	02	02	02	02	03	03	03	03
	D	03	01	02	01	02	02	02	02	03	03	03	03
	C	02	02	02	01	02	02	02	02	03	03	03	03
	B	02	02	02	01	02	02	02	02	03	03	03	03
	A	03	01	02	01	02	02	02	02	03	03	03	03
GND	01	01	01	01	01	01	01	01	01	01	01	01	

METRAL P/N	ROW	CONTACT CODE											
		1	2	3	4	5	6	7	8	9	10	11	12
63784-X040 FOR LEAD FREE SEE NOTE 15	H	03	03	03	03	03	03	02	02	02	02	02	02
	G	03	03	03	03	03	03	02	02	02	02	02	02
	F	03	03	03	03	03	03	02	02	02	02	02	02
	E	03	03	03	03	03	03	02	02	02	02	02	02
	D	03	03	03	03	03	03	02	02	02	02	02	02
	C	03	03	03	03	03	03	02	02	02	02	02	02
	B	03	03	03	03	03	03	02	02	02	02	02	02
	A	03	03	03	03	03	03	02	02	02	02	02	02
GND	01	01	01	01	01	01	01	01	01	01	01	01	

METRAL P/N	ROW	CONTACT CODE											
		1	2	3	4	5	6	7	8	9	10	11	12
63784-X041 FOR LEAD FREE SEE NOTE 15	H	02	02	02	02	02	02	02	02	02	02	01	02
	G	02	02	02	02	02	02	02	02	02	02	01	02
	F	02	02	02	02	02	02	02	02	02	02	01	02
	E	02	02	02	02	02	02	02	02	02	02	01	02
	D	02	02	02	02	02	02	02	02	02	02	03	02
	C	02	02	02	02	02	02	02	02	02	02	03	02
	B	02	02	02	02	02	02	02	02	02	02	03	02
	A	02	02	02	02	02	02	02	02	02	02	01	02
GND	01	01	01	01	01	01	01	01	01	01	01	01	

METRAL P/N	ROW	CONTACT CODE											
		1	2	3	4	5	6	7	8	9	10	11	12
63784-X042 FOR LEAD FREE SEE NOTE 15	H	01	02	02	02	02	02	01	02	02	02	02	03
	G	02	02	02	02	02	02	02	02	02	02	02	03
	F	02	02	02	02	02	02	02	02	02	02	02	03
	E	02	02	02	02	02	02	02	02	02	02	02	03
	D	02	02	02	02	02	02	02	02	02	02	03	03
	C	02	02	02	02	02	02	02	02	02	02	03	03
	B	02	02	02	02	02	02	02	02	02	02	03	03
	A	02	02	02	02	02	02	02	02	02	02	02	03
GND	01	01	01	01	01	01	01	01	01	01	01	01	

METRAL P/N	ROW	CONTACT CODE											
		1	2	3	4	5	6	7	8	9	10	11	12
63784-X043 FOR LEAD FREE SEE NOTE 15	H	02	02	02	02	01	02	01	02	02	02	02	03
	G	02	02	02	02	01	02	02	02	02	02	02	03
	F	02	02	02	02	01	02	02	02	02	02	02	03
	E	02	02	02	02	01	02	02	02	02	02	02	03
	D	02	02	02	02	03	02	02	02	02	02	02	03
	C	02	02	02	02	03	02	02	02	02	02	02	03
	B	02	02	02	02	03	02	02	02	02	02	02	03
	A	02	02	02	02	03	02	02	02	02	02	02	03
GND	01	01	01	01	01	01	01	01	01	01	01	01	

mat'l code: SEE NOTE 5				tolerances unless otherwise specified		CUSTOMER		FCJ	
litr	ecm no.	dr	date	linear	0.X ± 0.3	COPY		www.fcjconnect.com	
AL				angles	.XXX ± .051	projection		title VERTICAL SIGNAL HDR 8 ROW	
					0° ± 2°			P.F. 96 POS. SELECT LOAD EXT.	
				dr	E. KROPER. 2001-01-10			product family METRAL 1000	
				engr	J. VOLSTORF 2001-01-10			code 213	
				chr	J. VOLSTORF 2001-01-10			size dwg no	
				oppd	J. VOLSTORF 2001-01-10			63784	
sheet index	revision sheet					scale 1:1		sheet 10	