

4

3

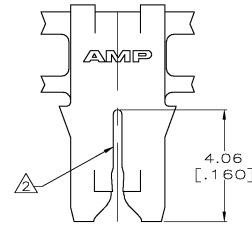
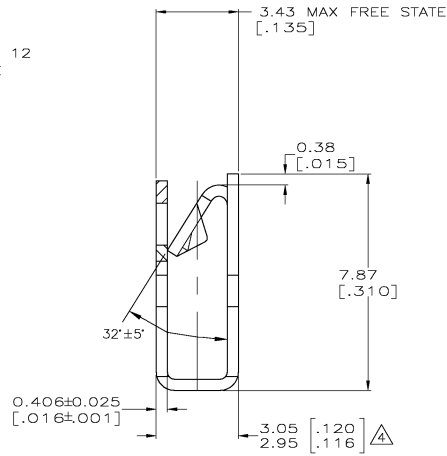
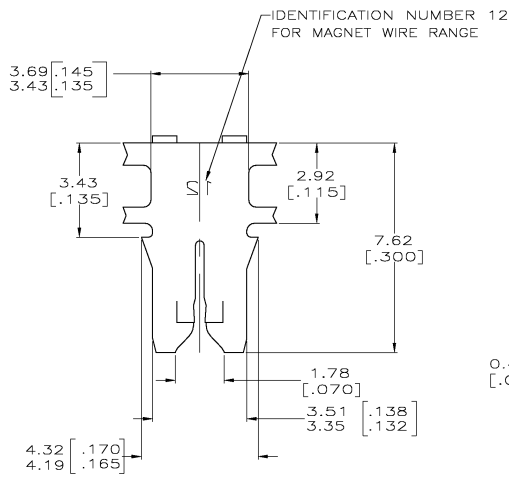
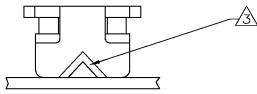
2

1

THIS DRAWING IS UNPUBLISHED. RELEASED FOR PUBLICATION.
 © COPYRIGHT BY TYCO ELECTRONICS CORPORATION. ALL RIGHTS RESERVED.

LOC	DIST	REVISIONS			
P	LTR	DESCRIPTION	DATE	BY	APP'D
AF	50				
N		REV PER 063A-0254-04	28APR04	JR	KR

- 1 CONTINUOUS STRIP ON REELS WITH TERMINALS LOCATED ON 5.59 ± 0.08 [.220 ± .003] CENTERS.
- 2 SLOT ACCEPTS 0.45-0.64mm [#25-#22] AWG COPPER MAGNET WIRE. TWO WIRES OF THE SAME SIZE PER SLOT EXCEPT 0.64 [#22] AWG WHICH IS ONE WIRE ONLY.
- 3 POKE-IN ACCEPTS A 0.50-0.90mm [#20-#18] AWG SOLID OR FUSED STRANDED LEAD WIRE.
- 4 MEASURE WHEN FREE STATE IS COMPRESSED TO 2.95 [.116] MAX.
- 5 0.002032 [.000080] MIN TIN PLATE.



H04 PHOSPHOR BRONZE	STANDARD	PAPER SPLICE	WITHOUT PAPER EXCEPT IN SPLICE AREAS	△	63658-5
4M BRASS	STANDARD	SPLICE FREE	PLASTIC REEL WITH PAPER	△	63658-4
4M BRASS	REVERSE	PAPER SPLICE	WITHOUT PAPER EXCEPT IN SPLICE AREAS	△	63658-3
4M BRASS	STANDARD	SPLICE FREE	PLASTIC REEL WITHOUT PAPER	△	63658-2
4M BRASS	STANDARD	PAPER SPLICE	WITHOUT PAPER EXCEPT IN SPLICE AREAS	△	63658-1
MATERIAL	REELING DIRECTION	SPLICE	REELING MATERIAL	FINISH	PART NO

DIMENSIONS:		FINISH:		MATERIAL:		FINISH:		RESTRICTED TO:	
INCHES	SEE TABLE	PLATE	SEE TABLE	SEE TABLE	SEE TABLE	SEE TABLE	SEE TABLE	SEE TABLE	SEE TABLE
0 PL	± .005	0 PL	± .005	0 PL	± .005	0 PL	± .005	0 PL	± .005
1 PL	± .005	1 PL	± .005	1 PL	± .005	1 PL	± .005	1 PL	± .005
2 PL	± .005	2 PL	± .005	2 PL	± .005	2 PL	± .005	2 PL	± .005
3 PL	± .005	3 PL	± .005	3 PL	± .005	3 PL	± .005	3 PL	± .005
4 PL	± .005	4 PL	± .005	4 PL	± .005	4 PL	± .005	4 PL	± .005
5 PL	± .005	5 PL	± .005	5 PL	± .005	5 PL	± .005	5 PL	± .005
6 PL	± .005	6 PL	± .005	6 PL	± .005	6 PL	± .005	6 PL	± .005
7 PL	± .005	7 PL	± .005	7 PL	± .005	7 PL	± .005	7 PL	± .005
8 PL	± .005	8 PL	± .005	8 PL	± .005	8 PL	± .005	8 PL	± .005
9 PL	± .005	9 PL	± .005	9 PL	± .005	9 PL	± .005	9 PL	± .005
10 PL	± .005	10 PL	± .005	10 PL	± .005	10 PL	± .005	10 PL	± .005
11 PL	± .005	11 PL	± .005	11 PL	± .005	11 PL	± .005	11 PL	± .005
12 PL	± .005	12 PL	± .005	12 PL	± .005	12 PL	± .005	12 PL	± .005
13 PL	± .005	13 PL	± .005	13 PL	± .005	13 PL	± .005	13 PL	± .005
14 PL	± .005	14 PL	± .005	14 PL	± .005	14 PL	± .005	14 PL	± .005
15 PL	± .005	15 PL	± .005	15 PL	± .005	15 PL	± .005	15 PL	± .005
16 PL	± .005	16 PL	± .005	16 PL	± .005	16 PL	± .005	16 PL	± .005
17 PL	± .005	17 PL	± .005	17 PL	± .005	17 PL	± .005	17 PL	± .005
18 PL	± .005	18 PL	± .005	18 PL	± .005	18 PL	± .005	18 PL	± .005
19 PL	± .005	19 PL	± .005	19 PL	± .005	19 PL	± .005	19 PL	± .005
20 PL	± .005	20 PL	± .005	20 PL	± .005	20 PL	± .005	20 PL	± .005
21 PL	± .005	21 PL	± .005	21 PL	± .005	21 PL	± .005	21 PL	± .005
22 PL	± .005	22 PL	± .005	22 PL	± .005	22 PL	± .005	22 PL	± .005
23 PL	± .005	23 PL	± .005	23 PL	± .005	23 PL	± .005	23 PL	± .005
24 PL	± .005	24 PL	± .005	24 PL	± .005	24 PL	± .005	24 PL	± .005
25 PL	± .005	25 PL	± .005	25 PL	± .005	25 PL	± .005	25 PL	± .005
26 PL	± .005	26 PL	± .005	26 PL	± .005	26 PL	± .005	26 PL	± .005
27 PL	± .005	27 PL	± .005	27 PL	± .005	27 PL	± .005	27 PL	± .005
28 PL	± .005	28 PL	± .005	28 PL	± .005	28 PL	± .005	28 PL	± .005
29 PL	± .005	29 PL	± .005	29 PL	± .005	29 PL	± .005	29 PL	± .005
30 PL	± .005	30 PL	± .005	30 PL	± .005	30 PL	± .005	30 PL	± .005
31 PL	± .005	31 PL	± .005	31 PL	± .005	31 PL	± .005	31 PL	± .005
32 PL	± .005	32 PL	± .005	32 PL	± .005	32 PL	± .005	32 PL	± .005
33 PL	± .005	33 PL	± .005	33 PL	± .005	33 PL	± .005	33 PL	± .005
34 PL	± .005	34 PL	± .005	34 PL	± .005	34 PL	± .005	34 PL	± .005
35 PL	± .005	35 PL	± .005	35 PL	± .005	35 PL	± .005	35 PL	± .005
36 PL	± .005	36 PL	± .005	36 PL	± .005	36 PL	± .005	36 PL	± .005
37 PL	± .005	37 PL	± .005	37 PL	± .005	37 PL	± .005	37 PL	± .005
38 PL	± .005	38 PL	± .005	38 PL	± .005	38 PL	± .005	38 PL	± .005
39 PL	± .005	39 PL	± .005	39 PL	± .005	39 PL	± .005	39 PL	± .005
40 PL	± .005	40 PL	± .005	40 PL	± .005	40 PL	± .005	40 PL	± .005
41 PL	± .005	41 PL	± .005	41 PL	± .005	41 PL	± .005	41 PL	± .005
42 PL	± .005	42 PL	± .005	42 PL	± .005	42 PL	± .005	42 PL	± .005
43 PL	± .005	43 PL	± .005	43 PL	± .005	43 PL	± .005	43 PL	± .005
44 PL	± .005	44 PL	± .005	44 PL	± .005	44 PL	± .005	44 PL	± .005
45 PL	± .005	45 PL	± .005	45 PL	± .005	45 PL	± .005	45 PL	± .005
46 PL	± .005	46 PL	± .005	46 PL	± .005	46 PL	± .005	46 PL	± .005
47 PL	± .005	47 PL	± .005	47 PL	± .005	47 PL	± .005	47 PL	± .005
48 PL	± .005	48 PL	± .005	48 PL	± .005	48 PL	± .005	48 PL	± .005
49 PL	± .005	49 PL	± .005	49 PL	± .005	49 PL	± .005	49 PL	± .005
50 PL	± .005	50 PL	± .005	50 PL	± .005	50 PL	± .005	50 PL	± .005

AMP 1421-9 REV 31MAR2000

63658

A