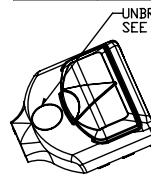
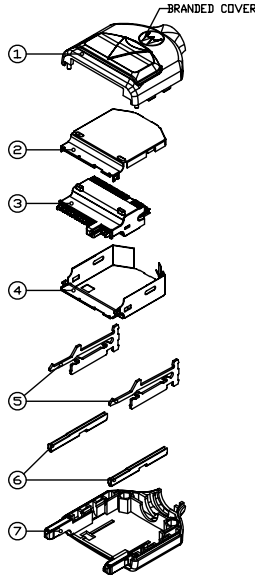
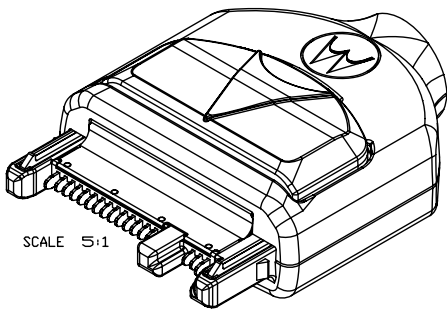


Product-number	COLOR	BRAND
63636-003	BLACK	NO
63636-005LF	BLACK	YES
63636-006	BLACK	NO
63636-006LF	BLACK	NO
63636-007LF	WHITE	YES

ITEM	DESCRIPTION	PART NUMBER	BRANDED				UNBRANDED		
			63636-001	63636-005LF	63636-005	63636-007LF	63636-003	63636-006	63636-006LF
1	Top cover	63639-001	1	1	1	-	-	-	-
		63639-002	-	-	-	-	-	-	-
		63639-003	-	-	-	-	1	1	1
		63639-004	-	-	-	-	-	-	-
		63639-005	-	-	-	1	-	-	-
2	Top shield	63640-001	1	1	1	1	1	1	
3	17 pos. Terminal block assy	63643-003LF	-	-	-	-	-	1	
		63643-002	1	-	-	-	1	-	
		63643-003	-	-	1	-	-	1	-
		63643-007LF	-	-	-	1	-	-	-
	17 pos. Terminal block assy(new material)	63643-008LF	-	1	-	-	-	-	
		63641-001	1	1	1	1	1	1	
		63633-001	2	2	2	2	2	2	
6	Peg blade	63634-001	2	2	2	2	2	2	
7	Bottom cover	63638-001	1	1	1	-	1	1	
		63638-005	-	-	-	1	-	-	
			Obsolete	Active	Obsolete	Active	Active	Active	Active

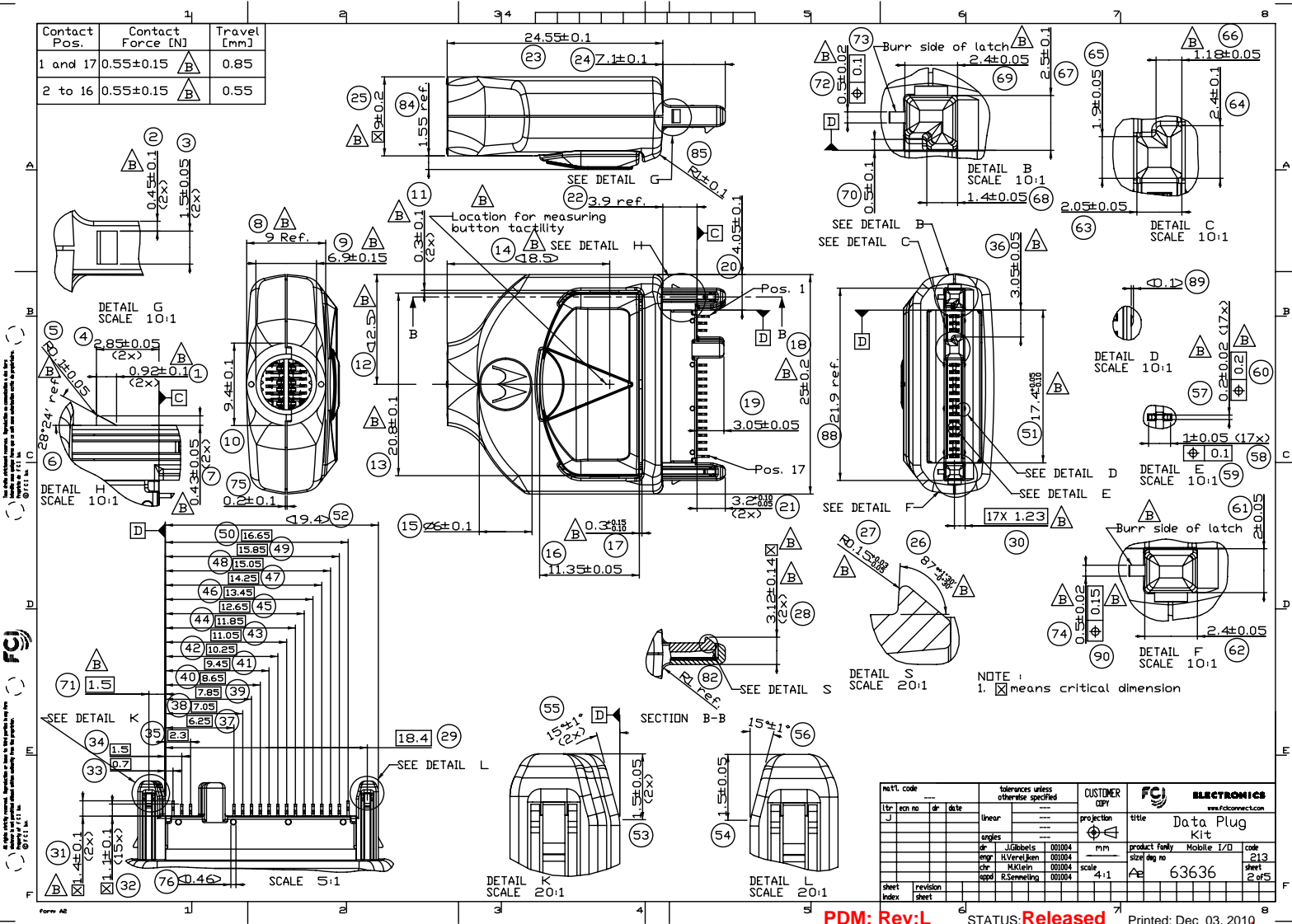


- Notes:
- Button press-in force to release 10N max.
  - A circle mark can be present on the unbranded cover (insert mark).
  - 63636-005LF/006LF/007LF meets European union directives and other country regulations as described in GS-22-008
  - Lead free label on the carton of 63636-005LF/006LF/007LF per GS-14-920
  - Melting temperature of HSG is 225°C
  - Packing specification per GS-14-694
  - Plating: 1.2 um min semi-bright Nickel all over followed by:
    - Zone A: 0.8 um min GXT
    - Zone B: 0.75 um min Gold
    - Zone C: 2.5- 10 um Tin-lead (93-7) for 63636-003/006 or 2.5-10 um pure Sn for 63636-005LF/006LF/007LF
    - Zone D: Transition Tin-lead or pure Sn allowed
  - Base metal: Beryllium copper or st0194

part code		tolerances unless otherwise specified		CUSTOMER		FCI ELECTRONICS	
len no	dr	date	linear	projection	title	Mobile I/O	code
E	1	041003	linear	projection	Data Plug Kit		213
F	103	072203	linear	projection			
G	104	051904	angles	projection			
H	104	122304	dr	J.Jabbeis	001004	product family	
J	105	092505	imp	L.Versel	001004	size	
K	106	0408	cl	M.Klein	001004	scale	
L	107	070307	app	R.Semeling	001004	2:1	
sheet	revision	L	J	J	J		
index	sheet	1	2	3	4	5	

PDM: Rev:L STATUS:Released Printed: Dec 03, 2010

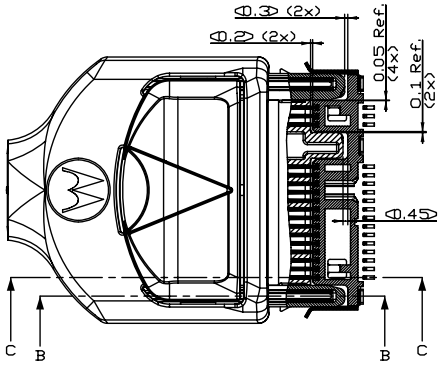
Contact Pos.	Contact Force [N]	Travel [mm]
1 and 17	0.55±0.15	0.85
2 to 16	0.55±0.15	0.55



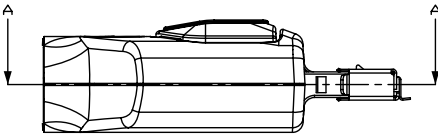
part code		tolerances unless otherwise specified		CUSTOMER DPT		FC ELECTRONICS	
tr	ecm no	dr	date	projection	title	code	213
J				mm	Data Plug Kit	Mobile I/O	2 of 5
				4:1	AE	63636	
sheet	revision						
index	sheet						

PDM: Rev:L STATUS:Released Printed: Dec 03, 2010

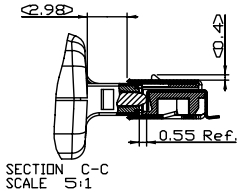
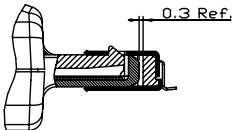
PLUG MATED WITH RECEPTACLE



SECTION A-A

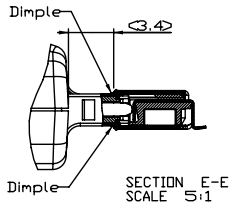
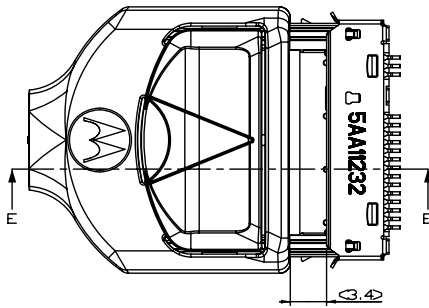


SECTION B-B  
SCALE 5:1



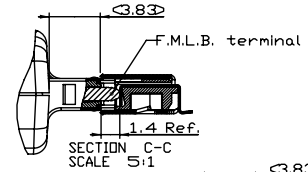
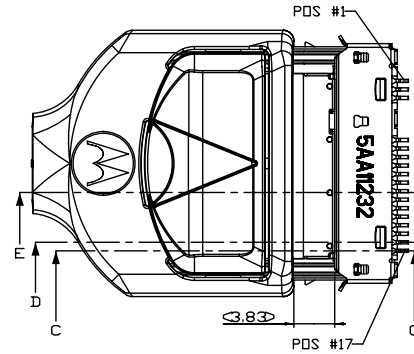
SECTION C-C  
SCALE 5:1

DIMPLE MAKES CONTACT WITH METAL SHIELD

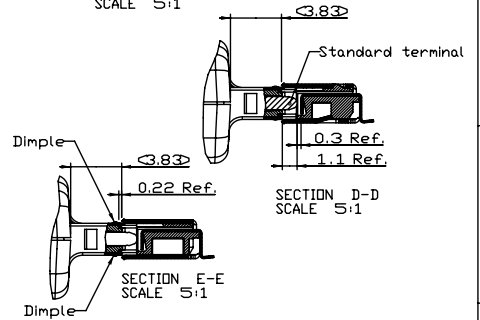


SECTION E-E  
SCALE 5:1

PINS 1 AND 17 MATE FIRST



SECTION C-C  
SCALE 5:1



SECTION D-D  
SCALE 5:1

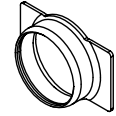
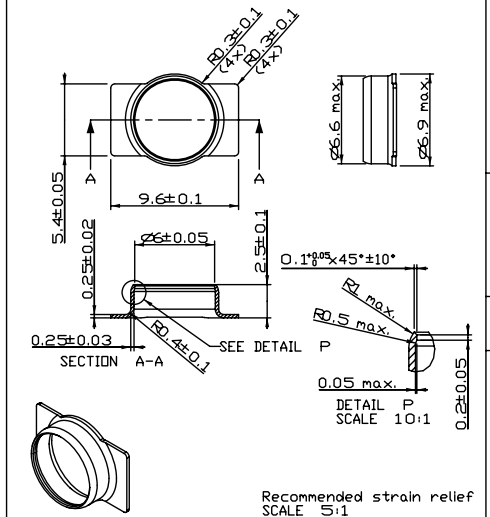
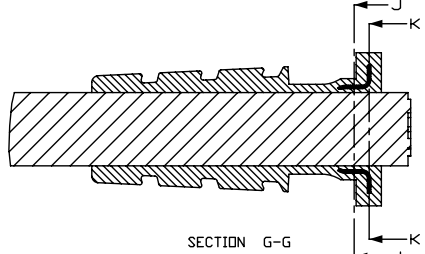
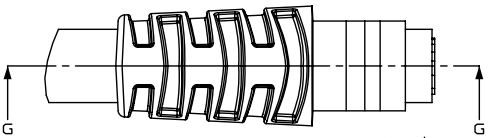
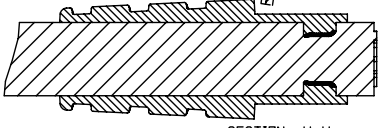
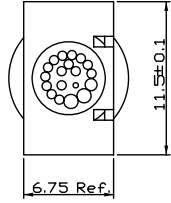
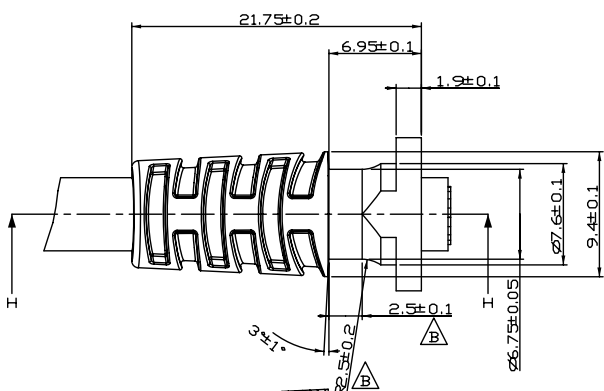
part code		tolerances unless otherwise specified		CUSTOMER		FCJ ELECTRONICS	
tr	ecm no	dr	date	projection	title	code	www.fcjconnect.com
J				1st angle	Data Plug	213	
				linear	Plug mated with receptacle	code	
				angles	product family	Mobile I/O	
				dr	J.Gibberts 001004	scale	4:1
				engr	L.Verschuuren 001004	sheet	3 of 5
				chr	M.Klein 001004	sheet	
				appd	R.Semmeling 001004	sheet	
sheet	revision						
index	sheet						

PDM: Rev:L

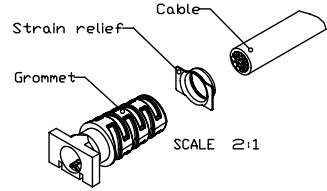
STATUS:Released

Printed: Dec 03, 2010

This drawing is a technical drawing and not a photograph. It is subject to change without notice. It is the property of FCJ and its use is restricted to the project for which it was created. It is not to be reproduced, stored in a retrieval system, or transmitted in any form or by any means, electronic, mechanical, photocopying, recording, or by any information storage or retrieval system, without the prior written permission of FCJ.



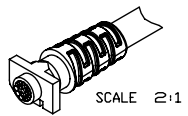
Recommended strain relief  
SCALE 5:1



Grommet

Cable

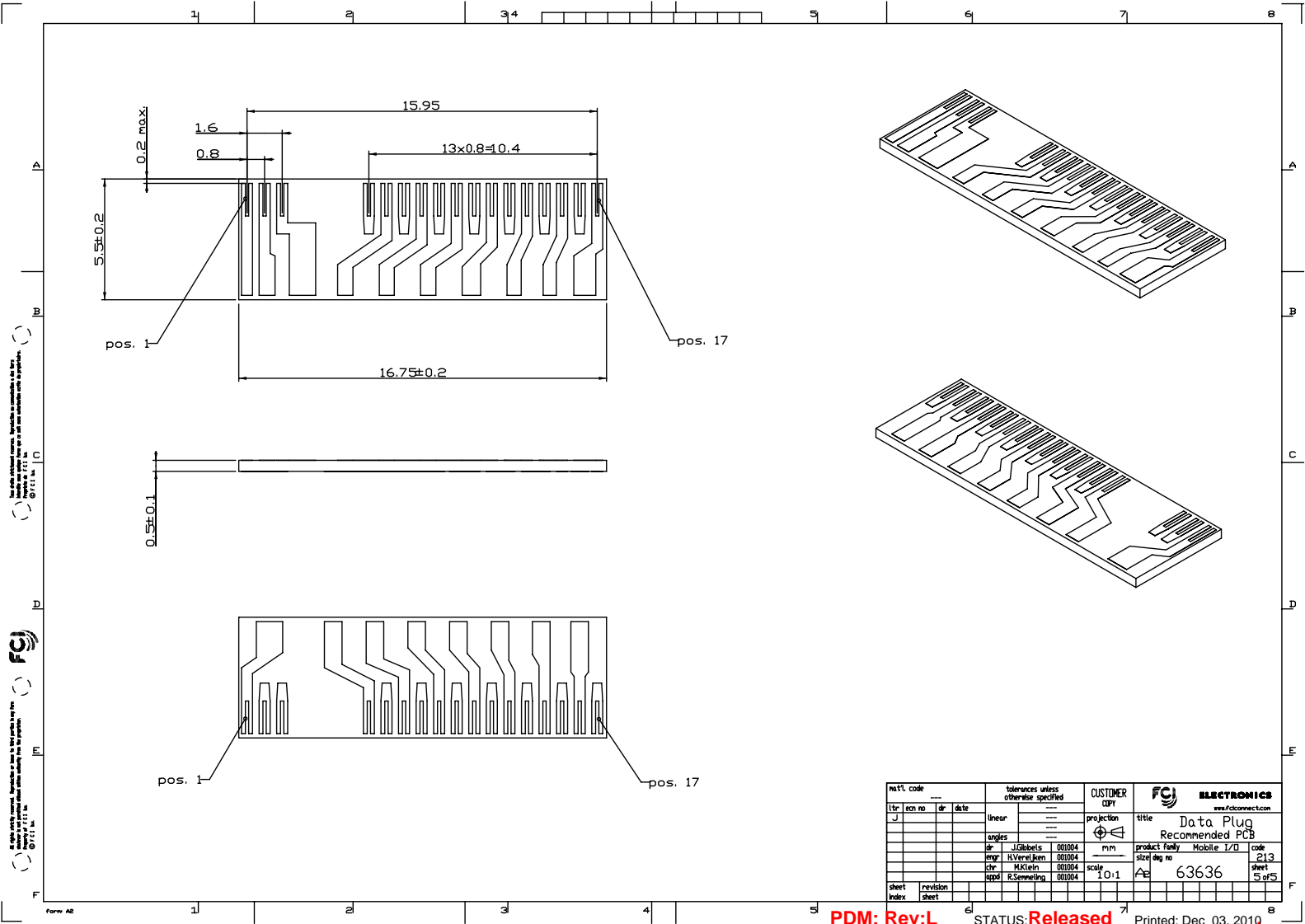
SCALE 2:1



SCALE 2:1

part code				tolerances unless otherwise specified	CUSTOMER	FCJ ELECTRONICS	
tr	ecn no	dr	date	linear	projection	title	
J					1st angle	Data Plug	
				angles		Recommended grommet	
				dr	J.Cobbels	021004	
				engr	I.Verschuuren	021004	
				chr	M.Klein	021004	
				appd	R.Semmeling	021004	
sheet	revision						
index	sheet						

PDM: Rev:L STATUS: Released Printed: Dec 03, 2010



All dimensions are in millimeters unless otherwise specified.  
 Tolerances are as shown unless otherwise specified.  
 © 2010 FCJ Electronics

part code		tolerances unless otherwise specified		CUSTOMER			
tr	ecm no	dr	date	---	---	---	www.fcjconnect.com
J	---	---	---	linear	---	projection	title
---	---	---	---	angles	---	1st angle	Data Plug Recommended PCB
---	---	---	---	dr	J.Gibberts 02/004	mm	product family
---	---	---	---	engr	I.Verschuuren 02/004	---	Mobile I/O
---	---	---	---	chr	M.Klein 02/004	scale	code
---	---	---	---	appd	R.Semmeling 02/004	10:1	AE 63636
sheet	revision	---	---	---	---	---	sheet
index	sheet	---	---	---	---	---	5 of 5

PDM: Rev:L    
 STATUS: Released    
 Printed: Dec 03, 2010