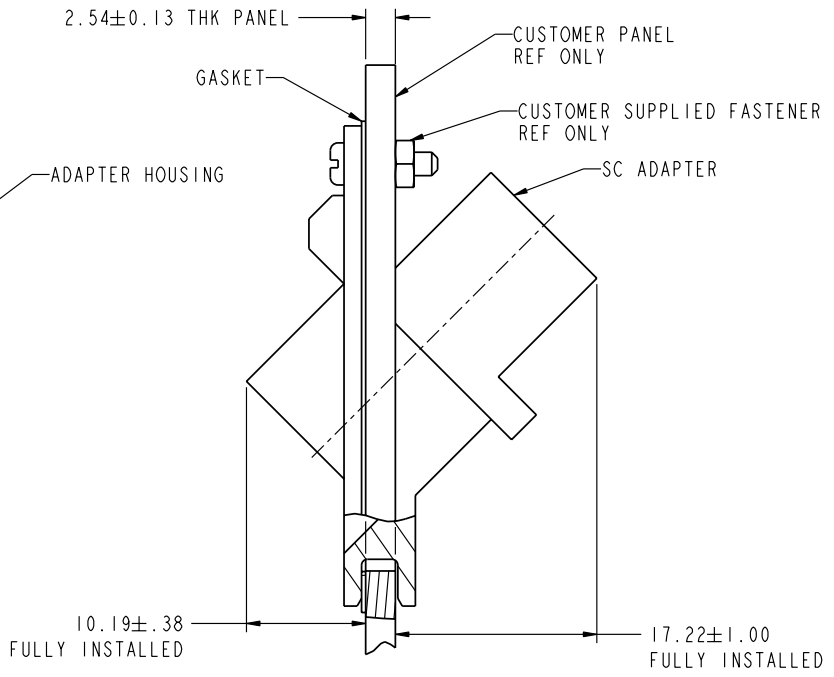
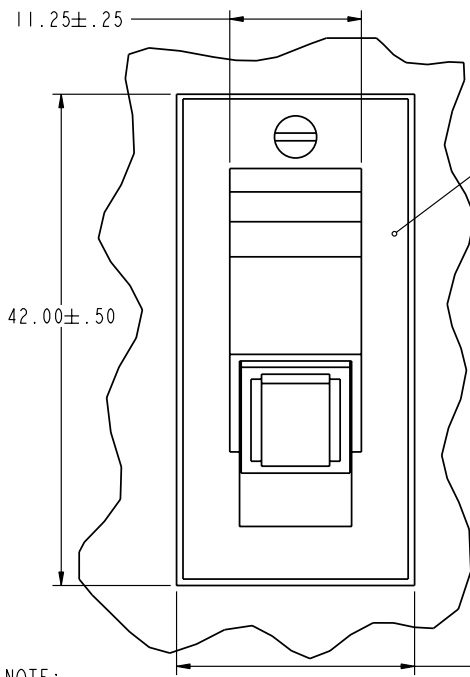


Tous droits strictement réservés. Reproduction ou communication à des tiers interdite sous quelque forme que ce soit sans autorisation écrite du propriétaire. Propriété de c FCI. Droits de reproduction FCI.



All rights strictly reserved. Reproduction or issue to third parties in any form whatever is not permitted without written authority from the proprietor. Property of FCI. Copyright FCI.

PRODUCT NUMBER
63341-001



- NOTE:
- SEE SHEET 2 FOR PANEL CUTOUT REFERENCE
 - PARTS SHOWN ASSEMBLED FOR CUSTOMER REF ONLY
 - ALL TABULATED PARTS SHIPPED UNASSEMBLED
 - MATERIAL AND PLATING:
 - ADAPTER - ZINC DIE CAST PLATING - NICKEL
 - ADAPTER HSG - ZINC DIE CAST PLATING - NICKEL
 - GASKET - STL STEEL
 - FULLY INSTALL SC ADAPTER INTO ADAPTER HOUSING PRIOR TO PANEL MOUNTING

PRELIMINARY-NOT RELEASED FOR TOOLING						CONFIDENTIAL	
mat'l code			tolerances unless otherwise specified			CUSTOMER COPY	
ltr	ecn no.	dr	date	linear	0.X ± 0.5	projection	
A	V02544	RTB	10/16/2000		0.XX ± 0.38	title	
B	V11456	RTB	08/15/01		.XXX ± 0.25	ADAPTER ASSEMBLY, 45° PANEL MOUNT	
C	V20284	AS	02/13/02	angles	0° ± 2°	product family FIBER OPTICS	
				dr	M.E. PASTAL 04/04/2000	code 213	
				enr	M.E. PASTAL 04/04/2000	size dwg no	
				chr	D. LEISEY 04/14/2000	63341	
				appd	M.E. PASTAL 04/14/2000	sheet 1 of 2	
sheet index	revision sheet	C	C				
		1	2				

Pro/E 3 cage code 22526 4

PDM: Rev:C STATUS:Released Printed: Apr 08, 2008

