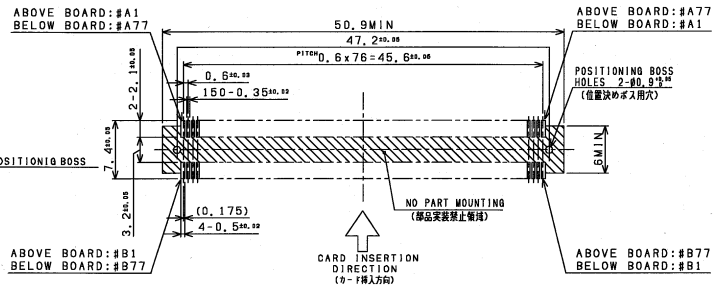
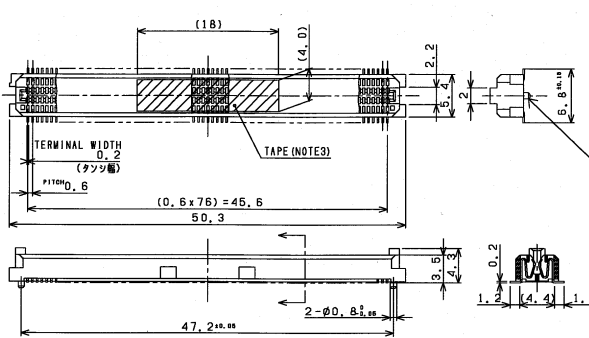


PRODUCT NO.	PACKAGING STYLE	POSITIONING BOSS	PACKAGING SPEC.	PRODUCT SPEC.
62875-001	TRAY	WITH	GS-14-558	110-374
62875-001T	TAPE & REEL			
62875-002	TRAY	WITHOUT	GS-14-558	110-374
62875-002T	TAPE & REEL			

REVISIONS				
REV	DESCRIPTION	ECN	BY	DATE
A	RELEASED	J10208/NT	8/12/01	
B	REVISED	J10281/NT	4/12/01	
C	REVISED	J05-006/M.HB	09/05	

62875-00**
62875-00**LF

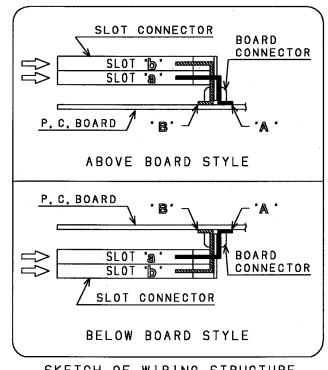
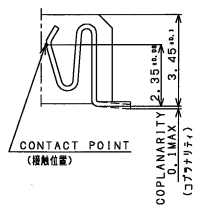


RECOMMENDED PATTERN DIMENSIONS
(推奨パターン寸法)

TABLE PIN ASSIGNMENTS (for D/D CARBUS)

PC CARD CONNECTOR	P. C. BOARD	PC CARD CONNECTOR	P. C. BOARD	PC CARD CONNECTOR	P. C. BOARD	PC CARD CONNECTOR	P. C. BOARD
ø1	A1	ø10	A21	ø19	A41	ø51	A61
ø2	A2	---	A22 (GND)	---	A42 (GND)	ø28	A62
ø3	A3	ø4	A23	ø53	A43	ø29	A63
ø3B	A4	ø11	A24	ø20	A44	ø29	A64
ø3	A5	ø45	A25	ø54	A45	---	A65 (GND)
ø37	A6	ø12	A26	ø21	A46	ø30	A66
ø4	A7	ø46	A27	ø55	A47	ø30	A67
ø3B	A8	---	A28 (GND)	ø22	A48	ø54	A68
---	A9 (GND)	ø13	A29	---	A49 (GND)	ø31	A69
ø5	A10	ø47	A30	ø56	A50	ø65	A70
ø39	A11	ø14	A31	ø23	A51	ø32	A71
ø6	A12	ø48	A32	ø57	A52	ø66	A72
ø40	A13	ø15	A33	ø24	A53	---	A73 (GND)
ø7	A14	ø49	A34	ø58	A54	ø33	A74
ø41	A15	ø16	A35	ø25	A55	ø67	A75
---	A16 (GND)	ø50	A36	ø59	A56	ø34	A76
ø8	A17	ø17	A37	---	A57 (GND)	ø68	A77
ø42	A18	ø51	A38	ø26	A58		
ø9	A19	ø18	A39	ø60	A59		
ø43	A20	ø52	A40	ø27	A60		

4. PRODUCTS ARE THE SAME IRRESPECTIVE OF THE PRESENCE OF LF.
(LF有無にかかわらず同一製品です。)
3. TAPE ON THE TOP FOR AUTO-MOUNT MACHINE HANDLING.
(自動溶接機対応テープ。)
2. RECOMMENDED P.C. BOARD LAYOUT DIMENSIONS ARE SHOWN IN 'EJ-AC' SLOT CONNECTOR DRAWING.
(推奨P.C.ボードレイアウト寸法は'EJ-AC'スロットコネクタの図面に示されています。)
NOTE 1. THIS PRODUCT USED WITH 'EJ-AC' SLOT CONNECTOR.
(注) (EJ-AC)スロットコネクタと併用してください。



SHEET INDEX	ISSUE SH. NO.	C	A	1	2	MAN	OR	DATE	CUSTOMER COPY	TITLE	PRODUCT FAMILY	CODE
							M. Hasegawa	5/30/05		CARDBUS III BOARD CONNECTOR (RE-AH SERIES)	SHM: Rectaplastic CB III & VC-> VII	
							CHK					
							APPRO					

PRODUCT NO.
62875-001(LF)
62875-0011(LF)
62875-002(LF)
62875-0021(LF)

62875-00**
62875-00**LF } LEAD FREE PRODUCT(NOTE4)

TABLE PIN ASSIGNMENTS (for CardBus / Express COMBO SLOT)

PC CARD CONN.	BOARD CONN.	PC CARD CONN.	BOARD CONN.	PC CARD CONN.	BOARD CONN.	PC CARD CONN.	BOARD CONN.
a1	A1	a10	A21	a19	A41	a61	A61
a35	A2	---	A22 (GND)	---	A42 (GND)	a28	A62
a2	A3	a44	A23	a53	A43	a62	A63
a36	A4	a11	A24	a20	A44	a29	A64
a3	A5	a45	A25	a54	A45	---	A65 (GND)
a37	A6	a12	A26	a21	A46	a63	A66
a4	A7	a46	A27	a55	A47	a30	A67
a38	A8	---	A28 (GND)	a22	A48	a64	A68
---	A9 (GND)	a13	A29	---	A49 (GND)	a31	A69
a5	A10	a47	A30	a56	A50	a65	A70
a39	A11	a14	A31	a23	A51	a32	A71
a6	A12	a48	A32	a57	A52	a66	A72
a40	A13	a15	A33	a24	A53	---	A73 (GND)
a7	A14	a49	A34	a58	A54	a33	A74
a41	A15	a16	A35	a25	A55	a67	A75
---	A16 (GND)	a50	A36	a59	A56	a34	A76
a8	A17	a17	A37	---	A57 (GND)	a68	A77
a42	A18	a51	A38	a26	A58		
a9	A19	a18	A39	a60	A59		
a43	A20	a52	A40	a27	A60		

EXPRESS CARD CONN.	BOARD CONN.	EXPRESS CARD CONN.	BOARD CONN.	EXPRESS CARD CONN.	BOARD CONN.	EXPRESS CARD CONN.	BOARD CONN.
b1	B1	b13	B21	b25	B41	---	B61 (GND)
b2	B2	---	B22 (GND)	---	B42 (GND)	---	B62 (GND)
b3	B3	b14	B23	b26	B43	---	B63 (GND)
---	B4 (GND)	b15	B24	---	B44 (GND)	---	B64 (GND)
b4	B5	---	B25 (GND)	---	B45 (GND)	---	B65 (GND)
---	B6 (GND)	b16	B26	---	B46 (GND)	---	B66 (GND)
b5	B7	---	B27 (GND)	---	B47 (GND)	---	B67 (GND)
b6	B8	---	B28 (GND)	---	B48 (GND)	---	B68 (GND)
---	B9 (GND)	b17	B29	---	B49 (GND)	---	B69 (GND)
b7	B10	---	B30 (GND)	---	B50 (GND)	---	B70 (GND)
---	B11 (GND)	b18	B31	---	B51 (GND)	---	B71 (GND)
b8	B12	b19	B32	---	B52 (GND)	---	B72 (GND)
---	B13 (GND)	---	B33 (GND)	---	B53 (GND)	---	B73 (GND)
b9	B14	b20	B34	---	B54 (GND)	---	B74 (GND)
b10	B15	---	B35 (GND)	---	B55 (GND)	---	B75 (GND)
---	B16 (GND)	b21	B36	---	B56 (GND)	---	B76 (GND)
b11	B17	b22	B37	---	B57 (GND)	---	B77 (GND)
---	B18 (GND)	b23	B38	---	B58 (GND)		
b12	B19	---	B39 (GND)	---	B59 (GND)		
---	B20 (GND)	b24	B40	---	B60 (GND)		

REVISIONS			
REV	DESCRIPTION	ECN	BY DATE
A	RELEASED	005-0306	M.H/30/05

SHEET INDEX	ISSUE SH. NO.																						
TOLERANCES UNLESS OTHERWISE SPECIFIED		MAX	DR	DATE	CUSTOMER COPY	TITLE BOARD CONNECTOR (RE-AH SERIES)																	
UP TO 10mm:±0.2		---	H. Hasegawa	5/30/05	---	PRODUCT FAMILY BOARD CONNECTOR (RE-AH SERIES)																	
ABOVE 10mm:±0.25		FINISH	CHK		---	SCALE SIZE DWG. NO. 62875																	
			APPG		---	SHEET 2 OF																	

DF-003A REV.F
DO NOT SCALE PRINT THIS INFORMATION IS CONFIDENTIAL AND IS DISCLOSED TO YOU ON CONDITION THAT NO FURTHER DISCLOSURE IS MADE BY YOU TO OTHER THAN FCI PERSONNEL WITHOUT WRITTEN AUTHORIZATION FROM FCI JAPAN K.K.