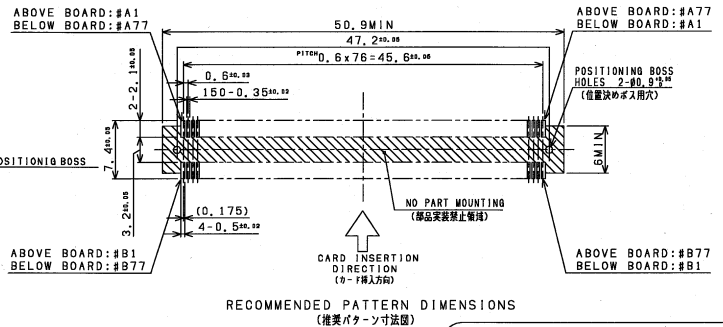
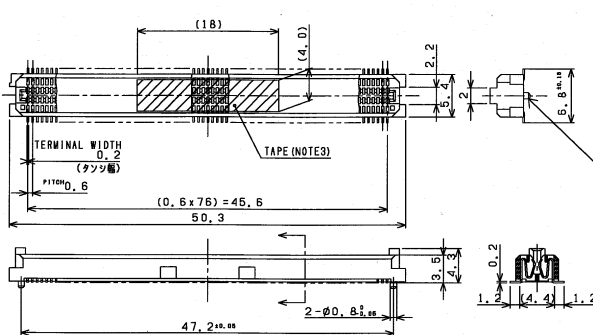


PRODUCT NO.	PACKAGING STYLE	POSITIONING BOSS	PACKAGING SPEC.	PRODUCT SPEC.
62875-001	TRAY	WITH	GS-14-558	110-374
62875-001T	TAPE & REEL			
62875-002	TRAY	WITHOUT	GS-14-558	110-374
62875-002T	TAPE & REEL			

REVISIONS				
REV	DESCRIPTION	ECN	BY	DATE
A	RELEASED	J10208/NLT	8/12/01	
B	REVISED	J10281/NLT	4/12/01	
C	REVISED	J05-0006	M.HB/20/05	

62875-00**
62875-00**LF

LEAD FREE PRODUCT(NOTE4)



RECOMMENDED PATTERN DIMENSIONS
(推奨パターン寸法)

TABLE PIN ASSIGNMENTS (for D/D CARDBUS)

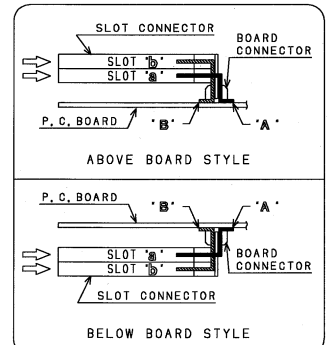
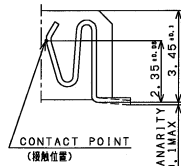
PC CARD CONNECTOR	P. C. BOARD	PC CARD CONNECTOR	P. C. BOARD	PC CARD CONNECTOR	P. C. BOARD	PC CARD CONNECTOR	P. C. BOARD
e1	A1	e10	A21	e19	A41	e51	A61
e2	A2	---	A22 (GND)	---	A42 (GND)	e28	A62
e3	A3	e4	A23	e53	A43	e62	A63
e3B	A4	e11	A24	e20	A44	e29	A64
e3	A5	e45	A25	e54	A45	---	A65 (GND)
e37	A6	e12	A26	e21	A46	e63	A66
e4	A7	e46	A27	e55	A47	e30	A67
e3B	A8	---	A28 (GND)	e22	A48	e54	A68
---	A9 (GND)	e13	A29	---	A49 (GND)	e31	A69
e5	A10	e47	A30	e56	A50	e65	A70
e39	A11	e14	A31	e23	A51	e32	A71
e6	A12	e48	A32	e57	A52	e66	A72
e40	A13	e15	A33	e24	A53	---	A73 (GND)
e7	A14	e49	A34	e58	A54	e33	A74
e41	A15	e16	A35	e25	A55	e67	A75
---	A16 (GND)	e50	A36	e59	A56	e34	A76
e8	A17	e17	A37	---	A57 (GND)	e68	A77
e42	A18	e51	A38	e26	A58		
e9	A19	e18	A39	e60	A59		
e43	A20	e52	A40	e27	A60		

4. PRODUCTS ARE THE SAME IRRESPECTIVE OF THE PRESENCE OF LF.
(LF有無にかかわらず同一製品です。)

3. TAPE ON THE TOP FOR AUTO-MOUNT MACHINE HANDLING.
(自動溶接機対応テープ。)

2. RECOMMENDED P.C. BOARD LAYOUT DIMENSIONS ARE SHOWN IN 'EJ-AC' SLOT CONNECTOR DRAWING.
(推奨P.C.ボードレイアウト寸法は'EJ-AC'スロットコネクタの図面に示されています。)

NOTE 1. THIS PRODUCT USED WITH 'EJ-AC' SLOT CONNECTOR.
(注) (EJ-AC)スロットコネクタと併用してください。



SKETCH OF WIRING STRUCTURE
配線構成図

SHEET INDEX	ISSUE SH. NO.	C	A	1	2	MAN	OR	DATE	CUSTOMER COPY	TITLE	PRODUCT FAMILY	CODE
							M. Hasegawa	5/30/05		CARDBUS III BOARD CONNECTOR (RE-AH SERIES)	SAFETY RECEPTACLE CB III & VC-> VII	
							CHK					
							APPRO					

DO NOT SCALE PRINT THIS INFORMATION IS CONFIDENTIAL AND IS DISCLOSED TO YOU ON CONDITION THAT NO FURTHER DISCLOSURE IS MADE BY YOU TO OTHER THAN FCI PERSONNEL WITHOUT WRITTEN AUTHORIZATION FROM FCI JAPAN K.K.

