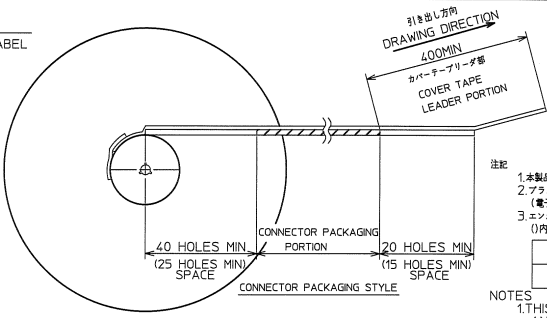
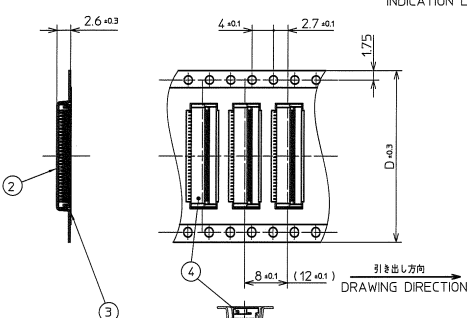


EMBOSS TAPE			REEL	COVER TAPE	DIMENSIONS	
					C	D
62789-1511_	-2111_		KRM-E16	KEC 135	16.4 $\pm 0.2$	16
62789-2711_	-4511_		KRM-E24	KEC 215	24.4 $\pm 0.2$	24
62789-5111_	-5711_		KRM-E32	KEC 255	32.4 $\pm 0.2$	32
62789-6711_			KRM-E44	KEC 375	44.4 $\pm 0.2$	44

PT.NO.	PARTS NAME	PRODUCT NO.	MATERIAL	QTY	NOTE
1	REEL		CARDBOARD	1	
2	EMBOSS TAPE		PET	1	
3	COVER TAPE		POLYESTER		
4	CONNECTOR	62789-...11_	62789 SHEET2	3000 (2000)	

EMBOSS TAPE	QTY	REEL	DIMENSIONS		n : 極数 n : NO. OF CONTACTS
			φ A	B	
62789-...11_	3000 (2000)	KRM-E-...	φ330	2 ±0.5	



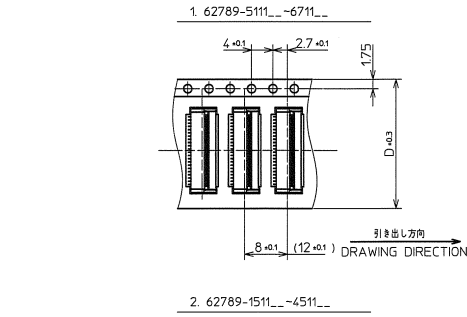
- 注記
- 1本製品は、自動実装(SMT)対応、FPC用コネクタのプラスチックテープ巻品である。
  - 2.プラスチック(エンボス)テープ及びリールの形状寸法は、JIS C 0806 (電子部品のテーピング(表面実装部品))に準ずる。
  - 3.エンボスピッチ仕様 (1)内寸法は、12mmピッチ品に適用。

62789-...11_0_	8mm Pitch
62789-...11_1_	12mm Pitch

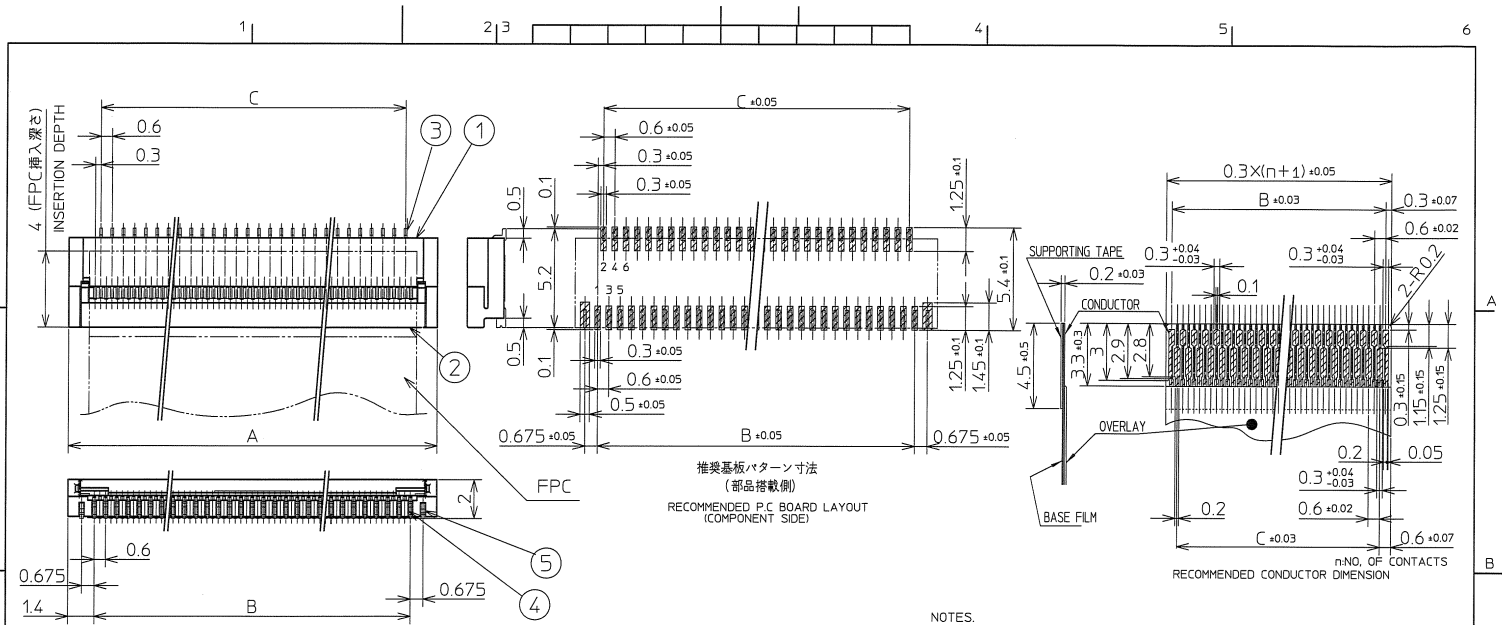
- NOTES
- 1.THIS IS PLASTIC TAPE PACKAGED CONNECTOR USED FOR FPC AND COPES WITH AUTOMATIC MOUNTING (SMT)
  - 2.SEE JIS 0806 (PACKING OF ELECTRONIC COMPONENTS ON CONTINUOUS TAPES (SURFACE MOUNTING DEVICES))
  - 3.EMBOSS PITCH SPECIFICATIONS FOR 12mm PITCH EMBOSS TAPE USE DIMENSIONS SHOWN WITHIN BRACKET.

62789-...11_0_	8mm Pitch
62789-...11_1_	12mm Pitch

	SURFACE TREATMENT	EMBOSS PITCH	NOTE
62789-...110ALF	ALL GOLD PLATE	8mm	WITHOUT TAB
62789-...111ALF		12mm	
62789-...110BLF	ALL GOLD PLATE	8mm	WITH TAB
62789-...111BLF		12mm	
62789-...110CLF	SELECTIVE GOLD PLATE	8mm	
62789-...111CLF		12mm	



mat'l. code	surface	tolerance	projection	product family	SSUF	CODE
IR description	ISO 1302	ISO 466 ISO 100	mm	EMBOSS TAPE PACKAGE		
E REVISION	2007	K.D	09/06/09			
F REVISION	2009	K.D	07/06/09			
G REVISION	09-09	K.D	07/06/09			
H REVISION	09-09	H.T	20/07/10			
J REVISION	09-09	H.T	09/06/09			
K Added DF type	09-09	H.T	20/07-10	chr.	S.Watanabe	2009-8-5
L Added DF type	09-09	H.Y	2009-8-9	pppp		2009-8-27
sheet revision	L	L				
index sheet	1	2				



NOTES.  
1. PLATE SPECIFICATIONS.

	SURFACE TREATMENT	NOTE
62789-__111ALF	ALL GOLD OVER NICKEL PLATE	WITHOUT TAB
62789-__111BLF	ALL GOLD OVER NICKEL PLATE	WITH TAB
62789-__111CLF	SELECTIVE GOLD OVER NIKEL PLATE (CONTACT AREA: GOLD PLATING) (TERMINAL AREA: TIN PLATING)	(TIN OVER NICKEL PLATE)

- 2. PLEASE CONSULT US IN CASE OF USING PARTS WITH \*MARK.
- 3. CONSULT US FOR DETAILS OF FPC.
- 4. THIS PRODUCT MEETS EUROPEAN UNION DIRECTIVES AND OTHER COUNTRY REGULATION AS DESCRIBED IN GS-22-008.
- 5. THE HOUSING WILL WITHSTAND EXPOSURE TO 260°C PEAK TEMPERATURE FOR 10 SECONDS IN A REFLOW SOLDERING OVEN.

PRODUCT No.	(NOTES.2)	NO. OF CONTACTS	A	B	C
62789-1511_	*	15	7.0	4.2	3.6
62789-2111_	*	21	8.8	6.0	5.4
62789-2711_	*	27	10.6	7.8	7.2
62789-3311_	*	33	12.4	9.6	9.0
62789-3911_	*	39	14.2	11.4	10.8
62789-4511_		45	16.0	13.2	12.6
62789-5111_		51	17.8	15.0	14.4
62789-5711_		57	19.6	16.8	16.2
62789-6711_		67	22.6	19.8	19.2

PARTS NAME	MATERIAL
1 HOUSING	THERMAL PLASTIC RESIN
2 ACTUATOR	THERMAL PLASTIC RESIN
3 CONTACT A	COPPER ALLOY
4 CONTACT B	COPPER ALLOY
5 TAB	COPPER ALLOY

mat'l. code	surface ISO 1302	tolerance ISO 406 ISO 1101	projection	product family 58UF	CODE JP
l/r description	ecr no	dr date	tolerances unless otherwise specified	title	
			angles linear ±0.3	CONNECTOR ASSY	
			mm	dwg no 62789	
			scale X	sheet 2 of size A3	
			dr M.Yamashita 2009-8-19	type Product Customer Drawing	
			enrg M.Yamashita 2009-8-19	Rev. L	
			chr S.Watanabe 2009-8-19		
			appd S. Watanabe 2009-8-19		
sheet index	revision sheet				