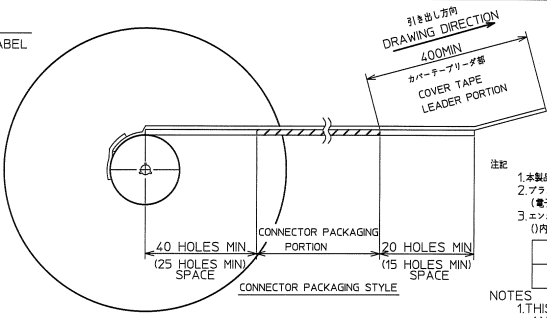
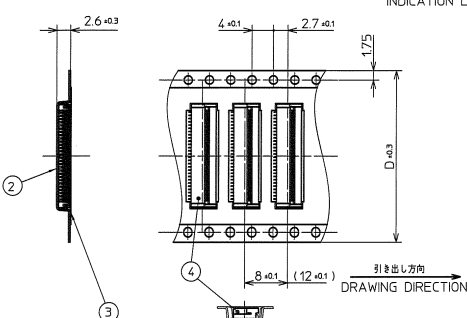


EMBOSS TAPE			REEL	COVER TAPE	DIMENSIONS	
					C	D
62789-1511_	-2111_		KRM-E16	KEC 135	16.4 ± 0.2	16
62789-2711_	-4511_		KRM-E24	KEC 215	24.4 ± 0.2	24
62789-5111_	-5711_		KRM-E32	KEC 255	32.4 ± 0.2	32
62789-6711_			KRM-E44	KEC 375	44.4 ± 0.2	44

PT. NO.	PARTS NAME	PRODUCT NO.	MATERIAL	QTY	NOTE
1	REEL		CARDBOARD	1	
2	EMBOSS TAPE		PET	1	
3	COVER TAPE		POLYESTER		
4	CONNECTOR	62789-...11_	62789 SHEET2	3000 (2000)	

EMBOSS TAPE	QTY	REEL	DIMENSIONS		n : 極数 n : NO. OF CONTACTS
			φ A	B	
62789-...11_	3000 (2000)	KRM-E_	φ330	2 ±0.5	



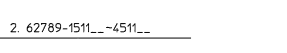
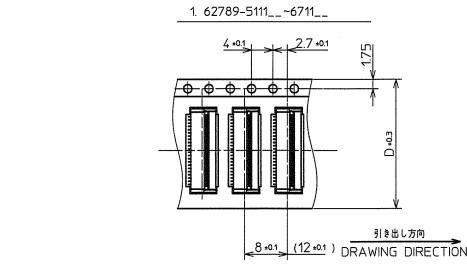
注記
 1.本製品は、自動実装(SMT)対応、FPC用コネクタのプラスチックテープ巻品である。
 2.プラスチック(エンボス)テープ及びリールの形状寸法は、JIS C 0806
 (電子部品のテーピング(表面実装部品))に準ずる。
 3.エンボスピッチ仕様
 (1)内寸法は、12mmピッチ品に適用。

62789-...11_0_	8mm Pitch
62789-...11_1_	12mm Pitch

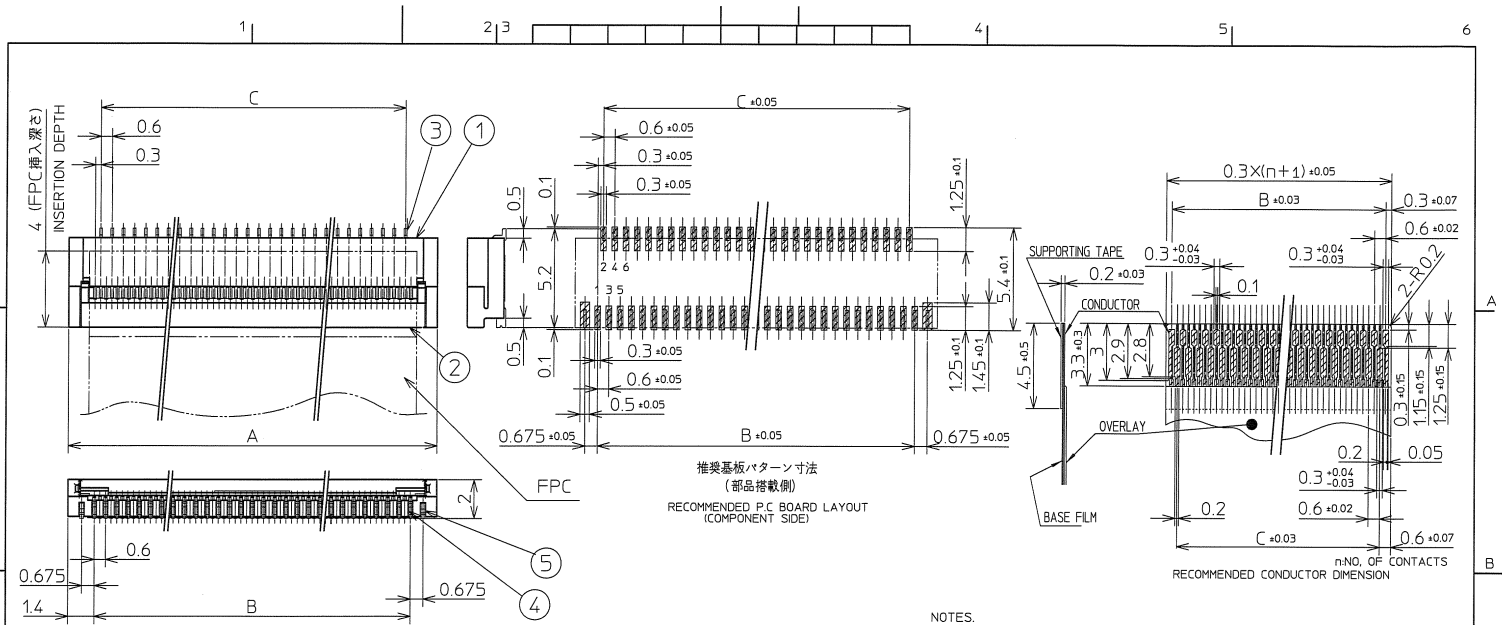
NOTES
 1.THIS IS PLASTIC TAPE PACKAGED CONNECTOR USED FOR FPC AND COPES WITH AUTOMATIC MOUNTING (SMT)
 2.SEE JIS 0806 (PACKING OF ELECTRONIC COMPONENTS ON CONTINUOUS TAPES (SURFACE MOUNTING DEVICES))
 3.EMBOSS PITCH SPECIFICATIONS
 FOR 12mm PITCH EMBOSS TAPE USE DIMENSIONS SHOWN WITHIN BRACKET.

62789-...11_0_	8mm Pitch
62789-...11_1_	12mm Pitch

	SURFACE TREATMENT	EMBOSS PITCH	NOTE
62789-...110ALF	ALL GOLD PLATE	8mm	WITHOUT TAB
62789-...111ALF		12mm	
62789-...110BLF	ALL GOLD PLATE	8mm	WITH TAB
62789-...111BLF		12mm	
62789-...110CLF	SELECTIVE GOLD PLATE	8mm	
62789-...111CLF		12mm	



mat'l. code	surface	tolerance	projection	product family	SSUF	CODE
IR description	ISO 1302	ISO 466 ISO 100	mm	EMBOSS TAPE PACKAGE		
E REVISION	2007	K.D	angles	linear		
F REVISION	2009	K.D	linear	linear		
G REVISION	2010	K.D	linear	linear		
H REVISION	2010	H.T	linear	linear		
J REVISION	2010	H.T	linear	linear		
K Added DF type	2010	H.T	linear	linear		
L Added DF type	2010	H.T	linear	linear		
revision	L	L				
sheet	1	2				
index						



NOTES.
1. PLATE SPECIFICATIONS.

	SURFACE TREATMENT	NOTE
62789-__111ALF	ALL GOLD OVER NICKEL PLATE	WITHOUT TAB
62789-__111BLF	ALL GOLD OVER NICKEL PLATE	WITH TAB
62789-__111CLF	SELECTIVE GOLD OVER NIKEL PLATE (CONTACT AREA: GOLD PLATING) (TERMINAL AREA: TIN PLATING)	(TIN OVER NICKEL PLATE)

- PLEASE CONSULT US IN CASE OF USING PARTS WITH *MARK.
- CONSULT US FOR DETAILS OF FPC.
- THIS PRODUCT MEETS EUROPEAN UNION DIRECTIVES AND OTHER COUNTRY REGULATION AS DESCRIBED IN GS-22-008.
- THE HOUSING WILL WITHSTAND EXPOSURE TO 260°C PEAK TEMPERATURE FOR 10 SECONDS IN A REFLOW SOLDERING OVEN.

PRODUCT No.	(NOTES.2)	NO. OF CONTACTS	A	B	C
62789-1511_	*	15	7.0	4.2	3.6
62789-2111_	*	21	8.8	6.0	5.4
62789-2711_	*	27	10.6	7.8	7.2
62789-3311_	*	33	12.4	9.6	9.0
62789-3911_	*	39	14.2	11.4	10.8
62789-4511_		45	16.0	13.2	12.6
62789-5111_		51	17.8	15.0	14.4
62789-5711_		57	19.6	16.8	16.2
62789-6711_		67	22.6	19.8	19.2

PARTS NAME	MATERIAL
1 HOUSING	THERMAL PLASTIC RESIN
2 ACTUATOR	THERMAL PLASTIC RESIN
3 CONTACT A	COPPER ALLOY
4 CONTACT B	COPPER ALLOY
5 TAB	COPPER ALLOY

mat'l. code	surface ISO 1302	tolerance ISO 406 ISO 1101	projection	product family 58UF	CODE JP
lir description ecn no dr date	tolerances unless otherwise specified		angles linear ±0.3	title	
			mm	CONNECTOR ASSY	
			scale X	dwg no sheet 2 of size	
				62789 A3	
dr M.Yamashita 2009-8-19			FCI	type Product Customer Drawing	
enrg M.Yamashita 2009-8-19				Rev. L	
chr S.Watanabe 2009-8-19					
appd S. Akahara 2009-8-20					
sheet index	revision sheet				