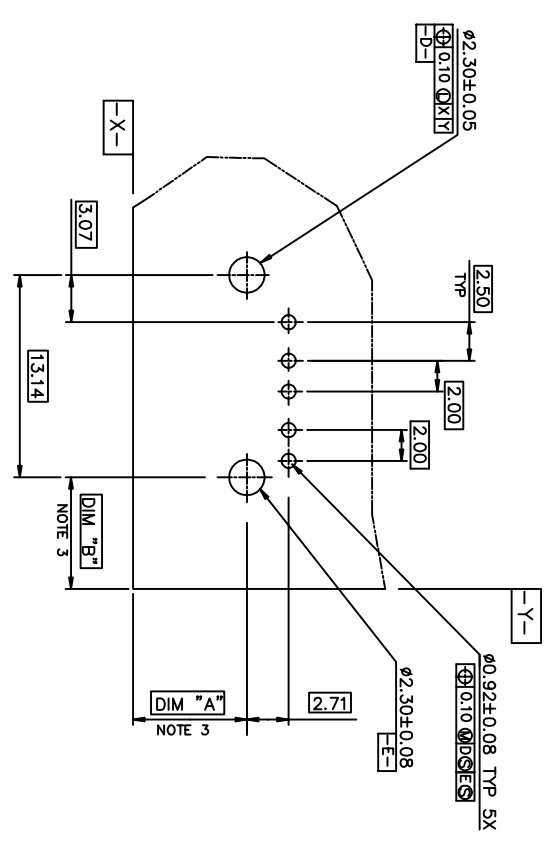
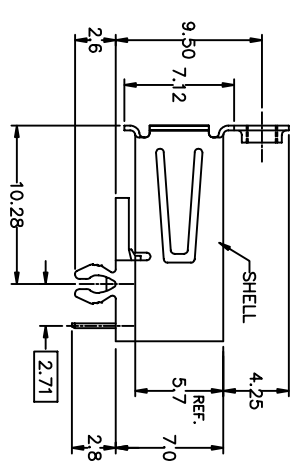
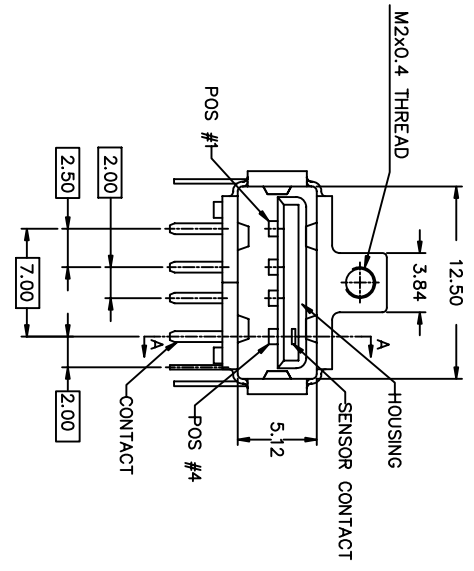
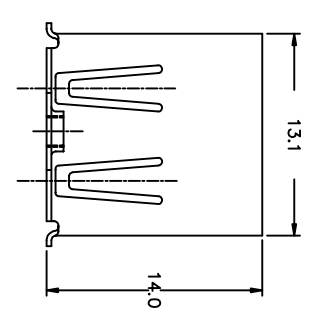


PRODUCT NO.
SEE SHEET 3



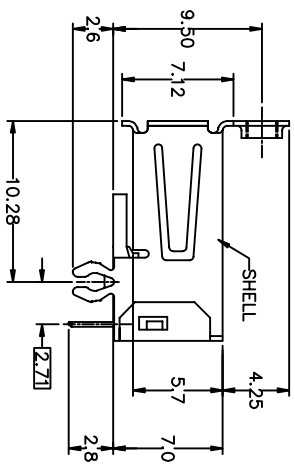
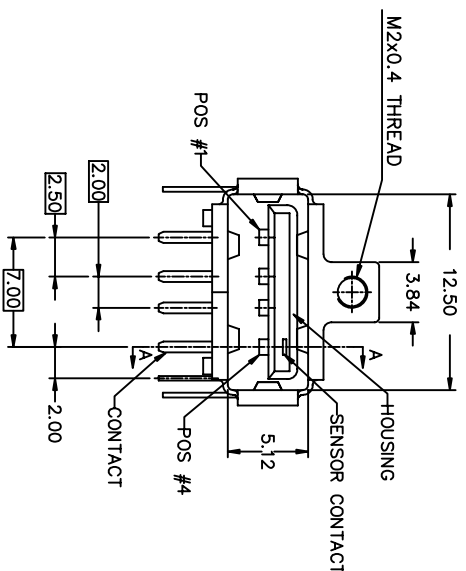
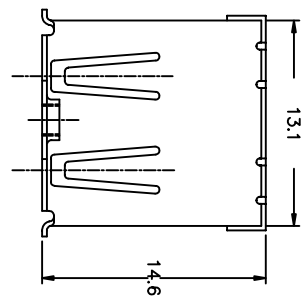
ASSEMBLY WITHOUT BACK SHIELD

P.C. BOARD LAYOUT

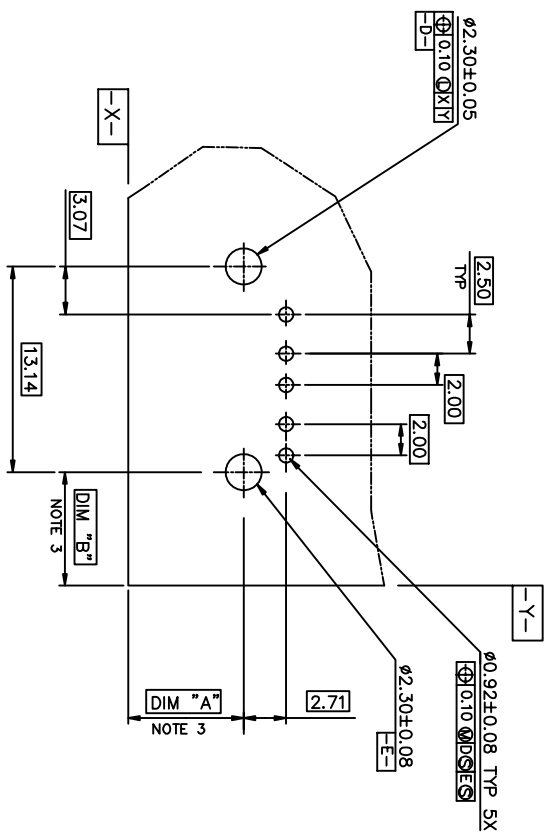
rev.	ecn no.	dr.	date	line ar	tolerance unless otherwise specified	CUSTOMER COPY	projection	title	product family	dwg no.	code	sheet
A	T70233	P P	6/18/97		.00 ± 0.30			UNIVERSAL BUS RECEPTACLE-CATALOG	USB	61819		1 OF 3
B	T70333	C L	08/11/97		.0002 ± 0.10							
C	T04-0208	W L	05/13/04	dr	± .3							
D	N04-0123	PH	12/13/04	dr								
E	N06-0101	HB	04/13/08	angr								
		chr	R Y LUU	07/10/97	scale	Z:5:1						
		oppd	JENN TSAO	01/10/97								
sheet revision	E	B	E									
index sheet	1	2	3									

FCI
www.fciconnect.com

PRODUCT NO.
SEE SHEET 3



ASSEMBLY WITH BACK SHIELD



P.C. BOARD LAYOUT

mat'l code	tolerance unless otherwise specified	CUSTOMER COPY	projection	title
rev. ecn no. dr. date	0 ± 0.30	COPY	AS	UNIV. SERIAL BUS S.M.T. RECEPTACLE-CATALOG
B	.00 ± 0.20			
	.000 ± 0.10			
	± .3°			
dir	SHIRLEY HSD/01/10/97	unit	mm/inch	code
engr	R Y LIU 01/10/97	size	mm/inch	61819
chr	R Y LIU 01/10/97	scale	2.5:1	sheet
appd	JENN TSAO/01/10/97			2 OF
sheet revision				
index sheet				

PRODUCT NUMBER CODE

61819 - X X X X X S LF

BASE PRODUCT NUMBER

HOUSING COLOR OPTIONS

- 0 - WHITE
- 1 - BLACK

PIN NO. OPTION

- 0 - 5 PIN
- 1 - 4 PIN

SHELL OPTIONS

- 1 - WITHOUT BACK SHIELD
- 2 - WITH BACK SHIELD

TERMINAL PLATING OPTION

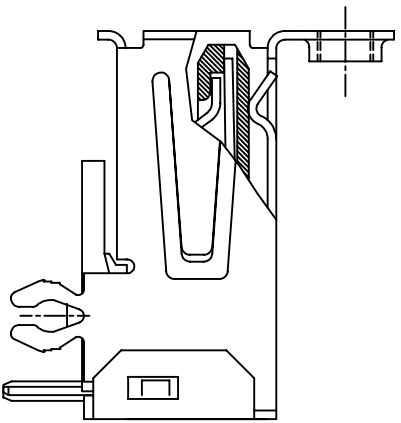
- 0 - 50u" Ni UNDERPLATE
- 30u" GXT CONTACT AREA
- 100u" TIN/LEAD TAIL AREA
- 1 - 50u" Ni UNDERPLATE
- 30u" GXT CONTACT AREA
- 100u" TIN TAIL AREA

PACKAGING OPTION

- B - TUBES

ONLY FOR PANASONIC

LEAD FREE OPTION
WHEN "TERMINAL PLATING OPTION" IS 1



SECTION A-A

NOTES:

1. MATERIAL: PHOSPHOR BRONZE
CONTACTS: PHOSPHOR BRONZE
SHIELD: PHOSPHOR BRONZE
HOUSING: UL 94V-0 THERMOPLASTIC, COLOR: WHITE
2. PLATING: CONTACTS: GOLD FLASH OVER
PALLADIUM NICKEL (0.76um MINIMUM) IN CONTACT AREA; 2.54 um TIN-LEAD OR TIN MINIMUM IN SOLDER TAIL AREA. 1.27 um MINIMUM NICKEL UNDERPLATE OVER ALL SURFACES. SHIELD: 2.54 um MINIMUM TIN/LEAD OR TIN OVER 1.27 um MINIMUM NICKEL UNDERPLATE
3. DATUMS & BASIC DIMENSIONS TO BE DETERMINED BY CUSTOMER.
4. RECOMMENDED BOARD THICKNESS IS 0.8~1.2 mm.
5. MAXIMUM PANEL THICKNESS TO BE 2.67 mm IF MOUNTED BEHIND PANEL.
6. PACKING STANDARD GS-14-920 WILL BE APPLIED FOR LEAD FREE P/N'S
7. FOR LEAD FREE P/N, THE PRODUCT MEET EUROPEAN UNION DIRECTIVES AND OTHER COUNTRY REGULATION AS DESCRIBED IN GS-22-008
8. FOR LEAD FREE P/N'S, THE HOUSING WILL WITHSTAND EXPOSURE TO 260°C PEAK TEMPERATURE FOR 40 SECONDS IN A CONVECTION, INFRO-RED OR VAPOR PHASE REFLOW OVEN.

mat'l code	tolerance unless otherwise specified	CUSTOMER COPY	projection	title	product family	code
rev. econ no. dr.	date					
E	linear	0 ± 0.30				
		.00 ± 0.20				
	angles	± .3°				
	dir	SHIPLEY HSJ01/10/97	unit			
	engr	R Y LIU 01/10/97	mm/inch			
	chr	R Y LIU 01/10/97	scale			
	appd	JENN TSAO 01/10/97				
sheet revision						
index	sheet					



UNIVERSAL BUS RECEPTACLE

61819

sheet 3 OF