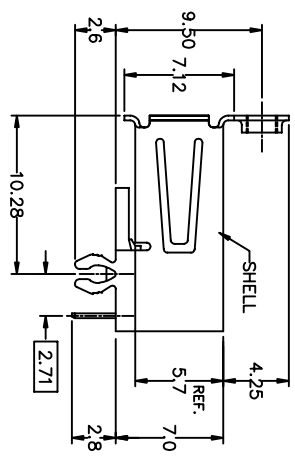
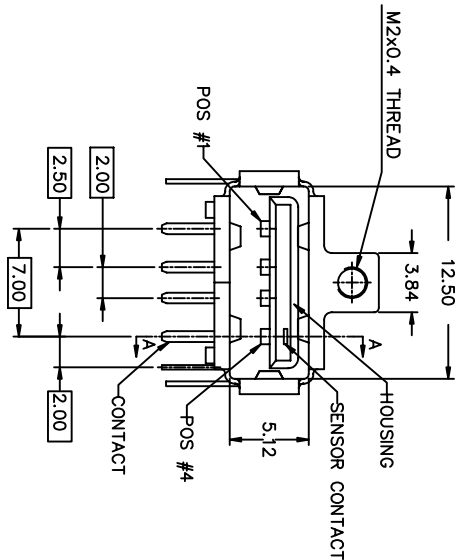
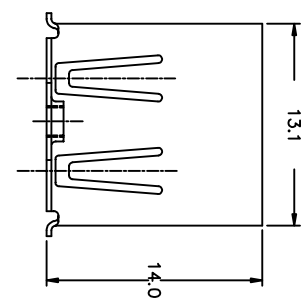
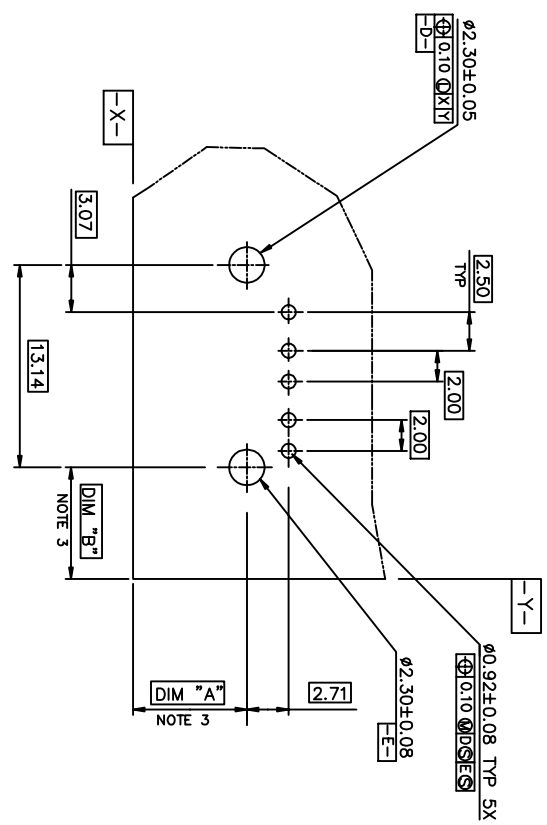


PRODUCT NO.
SEE SHEET 3



ASSEMBLY WITHOUT BACK SHIELD



P.C. BOARD LAYOUT

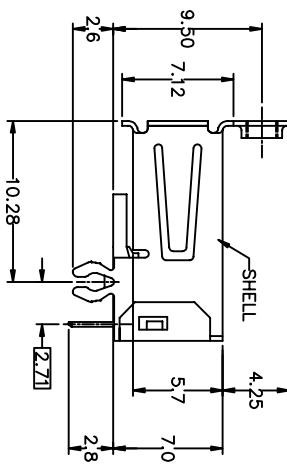
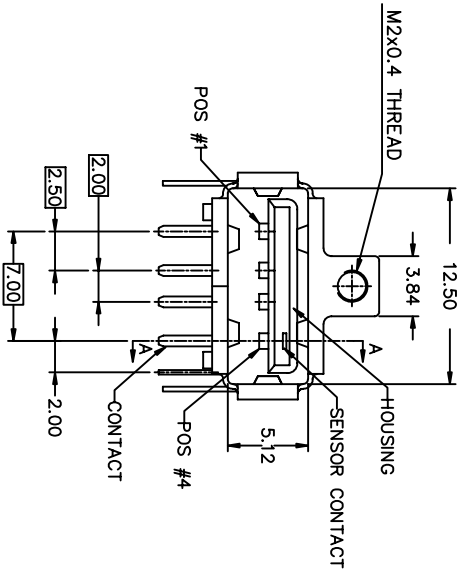
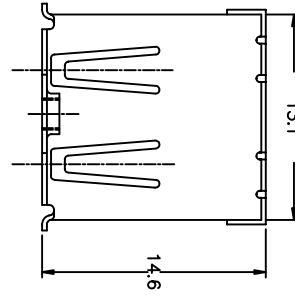
rev.	ecn no.	dr.	date	tolerance unless otherwise specified	CUSTOMER COPY	title	sheet
A	T70233	P P	6/18/97	.0 ± 0.30	UNIVERSAL BUS	1	
B	T70333	C L	08/11/97	.000 ± 0.10	RECEPTACLE-CATALOG	2	
C	T04-0208	W L	05/13/04	± .3	UNIVERSAL BUS	3	
D	N04-0123	PH	12/13/04		RECEPTACLE-USB	4	
E	N06-0101	HB	04/13/08		RECEPTACLE-USB	5	
sheet revision				projection		scale	
index sheet				chr		Z:5:1	
1				R Y LIU		01/10/97	
2				oppd JENN TSAO		01/10/97	
3							
4							
5							
6							

All rights reserved. Reproduction or issue to third parties in any form or by whatever means is not permitted without written authority from the proprietor. Property of c BERG ELECTRONICS. Copyright BERG ELECTRONICS by

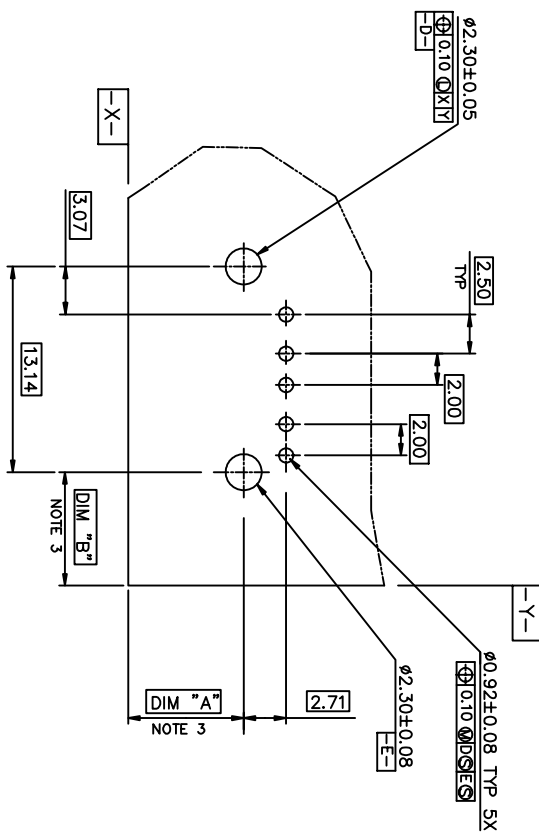


Tous droits strictement reserves. Reproduction ou communication a des tiers int sous quelque forme que ce soit sans autorisation ecrite du proprietaire. propriete de c BERG ELECTRONICS. Droits de reproduction BERG ELECTRONICS by

PRODUCT NO.
SEE SHEET 3



ASSEMBLY WITH BACK SHIELD



P.C. BOARD LAYOUT

mat'l code	tolerance unless otherwise specified	CUSTOMER COPY	projection	title
rev. ecn no. dr. date	0 ± 0.30	COPY	AS	UNIV. SERIAL BUS S.M.T. RECEIPTACLE-CATALOG
B	.00 ± 0.20			
	.000 ± 0.10			
	± .3°			
dir	SHIRLEY HSD/01/10/97			
engr	R Y LIU 01/10/97			
chr	R Y LIU 01/10/97			
appd	JENN TSAO/01/10/97			
scale	2.5:1			
sheet revision				
index sheet				



PRODUCT NUMBER CODE

61819 - X X X X X S LF

BASE PRODUCT NUMBER

HOUSING COLOR OPTIONS

- 0 - WHITE
- 1 - BLACK

PIN NO. OPTION

- 0 - 5 PIN
- 1 - 4 PIN

SHELL OPTIONS

- 1 - WITHOUT BACK SHIELD
- 2 - WITH BACK SHIELD

TERMINAL PLATING OPTION

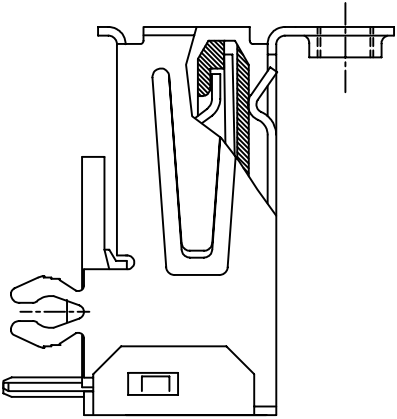
- 0 - 50u" Ni UNDERPLATE
- 30u" GXT CONTACT AREA
- 100u" TIN/LEAD TAIL AREA
- 1 - 50u" Ni UNDERPLATE
- 30u" GXT CONTACT AREA
- 100u" TIN TAIL AREA

PACKAGING OPTION

- B - TUBES

ONLY FOR PANASONIC

LEAD FREE OPTION
WHEN "TERMINAL PLATING OPTION" IS 1



NOTES:

1. MATERIAL: PHOSPHOR BRONZE
CONTACTS: PHOSPHOR BRONZE
SHIELD: PHOSPHOR BRONZE
HOUSING: UL 94V-0 THERMOPLASTIC, COLOR: WHITE
2. PLATING: CONTACTS: GOLD FLASH OVER
PALLADIUM NICKEL (0.76um MINIMUM) IN CONTACT AREA; 2.54 um TIN-LEAD OR TIN MINIMUM IN SOLDER TAIL AREA. 1.27 um MINIMUM NICKEL UNDERPLATE OVER ALL SURFACES. SHIELD: 2.54 um MINIMUM TIN/LEAD OR TIN OVER 1.27 um MINIMUM NICKEL UNDERPLATE
3. DATUMS & BASIC DIMENSIONS TO BE DETERMINED BY CUSTOMER.
4. RECOMMENDED BOARD THICKNESS IS 0.8~1.2 mm.
5. MAXIMUM PANEL THICKNESS TO BE 2.67 mm IF MOUNTED BEHIND PANEL.
6. PACKING STANDARD GS-14-920 WILL BE APPLIED FOR LEAD FREE P/N'S
7. FOR LEAD FREE P/N, THE PRODUCT MEET EUROPEAN UNION DIRECTIVES AND OTHER COUNTRY REGULATION AS DESCRIBED IN GS-22-008
8. FOR LEAD FREE P/N'S, THE HOUSING WILL WITHSTAND EXPOSURE TO 260°C PEAK TEMPERATURE FOR 40 SECONDS IN A CONVECTION, INFRO-RED OR VAPOR PHASE REFLOW OVEN.

mat'l code	tolerance unless otherwise specified	CUSTOMER COPY	projection	title	product family	code
rev. econ no. dr.	date					
E	linear	0 ± 0.30				
		.00 ± 0.20				
	angles	± .3°				
	dir	SHIPLEY HSJ01/10/97	unit			
	engr	R Y LUU 01/10/97	mm/inch			
	chr	R Y LUU 01/10/97	scale			
	appd	JENN TSAO 01/10/97				
sheet revision						
index	sheet					



UNIVERSAL BUS
RECEPTACLE

product family
size
dwg no.
61819

sheet
3 OF