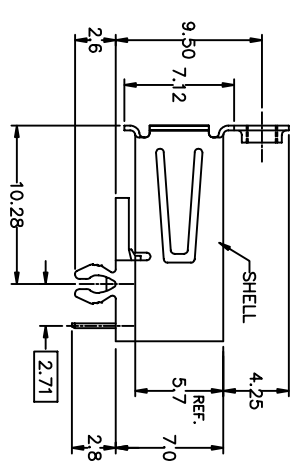
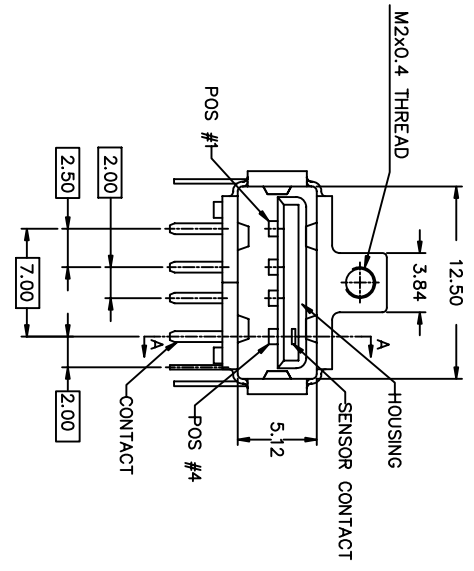
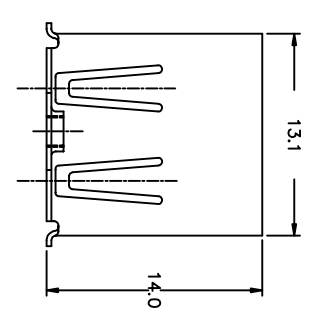
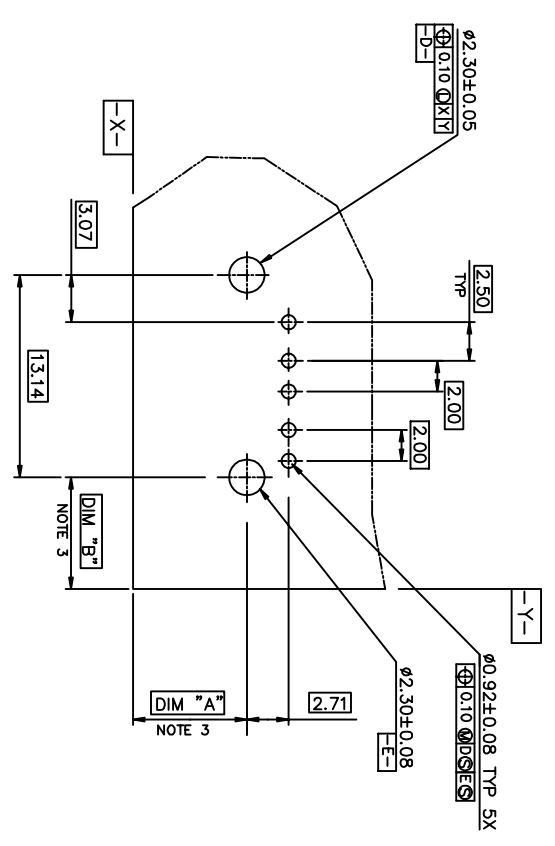


PRODUCT NO.
SEE SHEET 3



ASSEMBLY WITHOUT BACK SHIELD



P.C. BOARD LAYOUT

rev.	ecn no.	dr.	date	tolerance unless otherwise specified	CUSTOMER COPY	title	sheet
A	T70233	P P	6/18/97	.00 ± 0.30	UNIVERSAL BUS	1	
B	T70333	C L	08/11/97	.0002 ± 0.10	RECEPTACLE-CATALOG	2	
C	T04-0208	W L	05/13/04	± .3	UNIVERSAL BUS	3	
D	N04-0123	PH	12/13/04		RECEPTACLE-USB	4	
E	N06-0101	HB	04/13/08		RECEPTACLE-USB	5	
sheet revision				projection		scale	
index sheet				chr		Z:S:1	
1				R Y LUU		01/10/97	
2				oppd JENN TSAO		01/10/97	
3							
4							
5							
6							

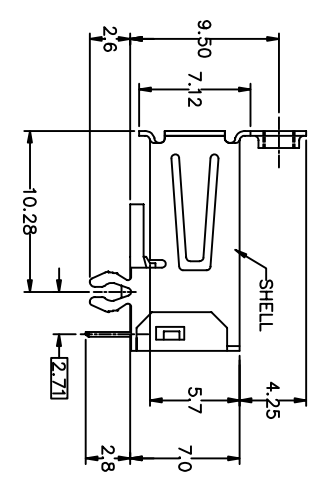
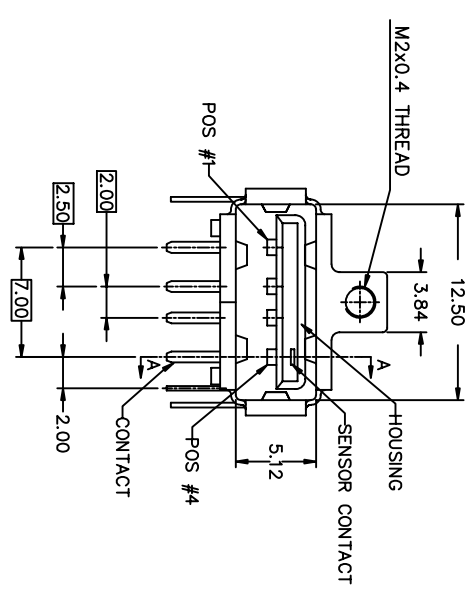
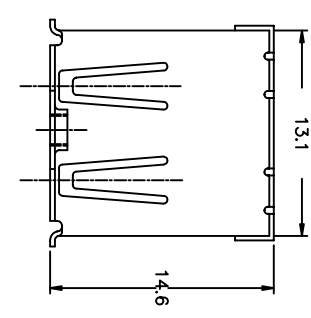
All rights reserved. Reproduction or issue to third parties in any form or by whatever means is not permitted without written authority from the proprietor. Property of c BERG ELECTRONICS. Copyright BERG ELECTRONICS by



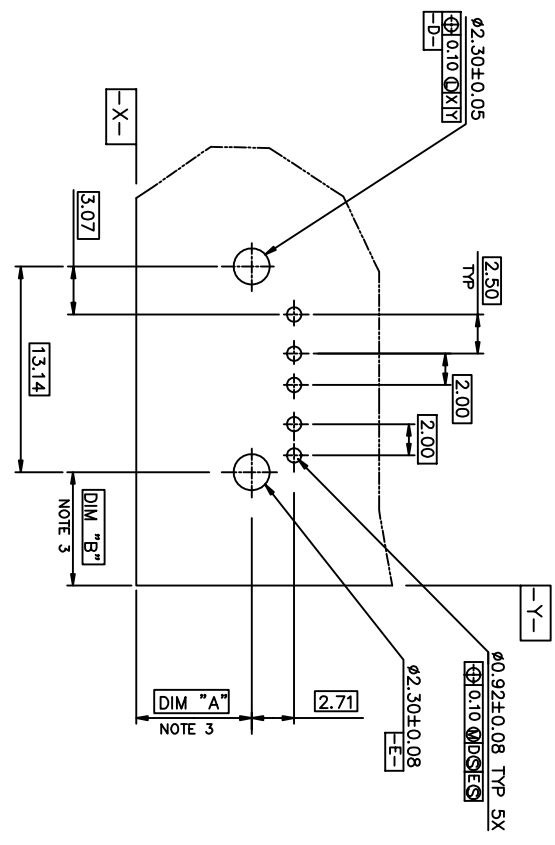
Tous droits strictement reserves. Reproduction ou communication a des tiers int sous quelque forme que ce soit sans autorisation ecrite du proprietaire. propriete de c BERG ELECTRONICS. Droits de reproduction BERG ELECTRONICS by



PRODUCT NO.
SEE SHEET 3



ASSEMBLY WITH BACK SHIELD



P.C. BOARD LAYOUT

mat'l code	tolerance unless otherwise specified	CUSTOMER COPY	projection	title
rev. ecn no. dr. date	0 ± 0.30			UNIV. SERIAL BUS S.M.T.
B	.00 ± 0.20			RECEPTACLE-CATALOG
	.000 ± 0.10			Product family: USB
	± .3°			dwg no. 61819
dir SHIPLEY HSD/01/10/97	unit mm/inch			code
engr R Y LIU 01/10/97	size			sheet
chr R Y LIU 01/10/97	scale 2.5:1			2 OF
pppd JENN TSAO/01/10/97				
sheet revision				
index sheet				

PRODUCT NUMBER CODE

61819 - X X X X X S LF

BASE PRODUCT NUMBER

HOUSING COLOR OPTIONS

- 0 - WHITE
- 1 - BLACK

PIN NO. OPTION

- 0 - 5 PIN
- 1 - 4 PIN

SHELL OPTIONS

- 1 - WITHOUT BACK SHIELD
- 2 - WITH BACK SHIELD

TERMINAL PLATING OPTION

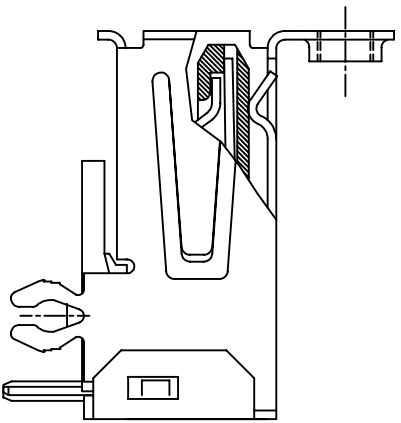
- 0 - 50u" NI UNDERPLATE
- 30u" GXT CONTACT AREA
- 100u" TIN/LEAD TAIL AREA
- 1 - 50u" NI UNDERPLATE
- 30u" GXT CONTACT AREA
- 100u" TIN TAIL AREA

PACKAGING OPTION

- B - TUBES

ONLY FOR PANASONIC

LEAD FREE OPTION
 WHEN "TERMINAL PLATING OPTION" IS 1



NOTES:

1. MATERIAL: PHOSPHOR BRONZE
 CONTACTS: PHOSPHOR BRONZE
 SHIELD: PHOSPHOR BRONZE
 HOUSING: UL 94V-0 THERMOPLASTIC, COLOR: WHITE
2. PLATING: CONTACTS: GOLD FLASH OVER
 PALLADIUM NICKEL (0.76um MINIMUM) IN CONTACT AREA;
 2.54 um TIN-LEAD OR TIN MINIMUM IN SOLDER TAIL AREA.
 1.27 um MINIMUM NICKEL UNDERPLATE OVER ALL SURFACES.
 SHIELD: 2.54 um MINIMUM TIN/LEAD OR TIN OVER 1.27 um MINIMUM NICKEL UNDERPLATE
3. DATUMS & BASIC DIMENSIONS TO BE DETERMINED BY CUSTOMER.
4. RECOMMENDED BOARD THICKNESS IS 0.8~1.2 mm.
5. MAXIMUM PANEL THICKNESS TO BE 2.67 mm IF MOUNTED BEHIND PANEL.
6. PACKING STANDARD GS-14-920 WILL BE APPLIED FOR LEAD FREE P/N'S
7. FOR LEAD FREE P/N, THE PRODUCT MEET EUROPEAN UNION DIRECTIVES AND OTHER COUNTRY REGULATION AS DESCRIBED IN GS-22-008
8. FOR LEAD FREE P/N'S, THE HOUSING WILL WITHSTAND EXPOSURE TO 260°C PEAK TEMPERATURE FOR 40 SECONDS IN A CONVECTION, INFRO-RED OR VAPOR PHASE REFLOW OVEN.

mat'l code	tolerance unless otherwise specified	CUSTOMER COPY	projection	title	product family	code
rev. econ no. dr.	date					
E	linear 0 ± 0.30 .00 ± 0.20 .000 ± 0.10			UNIVERSAL BUS RECEPTACLE	61819	3 OF
	angles ± .3°					
	dir Shirley HSJ/07/10/97					
	engr R Y LUU 07/10/97					
	chr R Y LUU 07/10/97					
	appd JENN TSAO/07/10/97					
sheet revision						
index						