

PRODUCT NO.  
61729

PRODUCT NUMBER CODE

61729-X 0 X X X P S LF

BASE PRODUCT NUMBER

HOUSING COLOR OPTION

0 - WHITE

1 - BLACK

SHIELD OPTION

1 - FULL BACK

2 - PARTIAL BACK

S - FULL BACK (SPECIAL MATERIAL FOR 12,000 DURABILITY CYCLES)

P - PARTIAL BACK (SPECIAL MATERIAL FOR 12,000 DURABILITY CYCLES)

TERMINAL PLATING OPTION

0 - 50u" NI UNDERPLATED

30U" GXT CONTACT AREA

100u" PURE TIN TAIL AREA

1 - 50u" NI UNDERPLATED

30U" GOLD CONTACT AREA

100u" PURE TIN TAIL AREA

PACKAGING OPTION

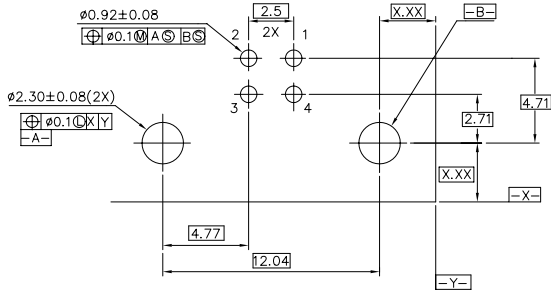
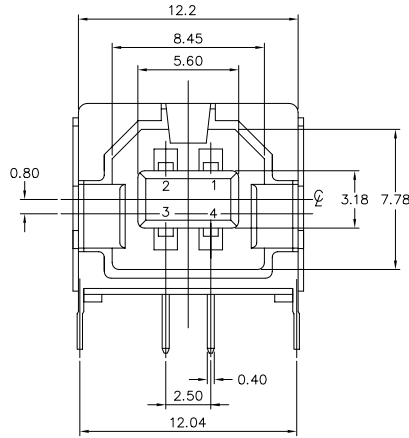
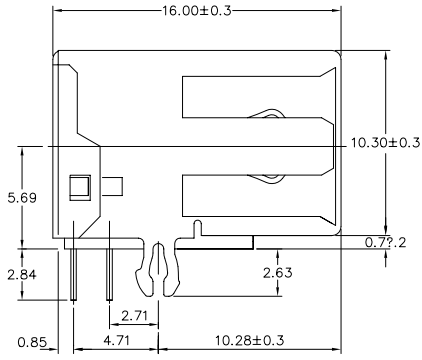
B-TUBES

R-TAPE & REEL

DATE CODE OPTION

ONLY FOR PANASONIC

LEAD FREE OPTION



P.C. BOARD LAYOUT

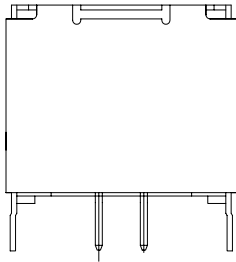
mat'l. code		tolerances unless otherwise specified		CUSTOMER COPY	FCJ www.fcjconnect.com	
ltr	ec'n no	dr	date	linear	.0 ± 0.30	projection
S	N05-0242	PH	08/22/05		.00 ± 0.20	title
T	N06-0103	HB	04/15/06	angles	.000± 0.10	USB RECEPTACLE B TYPE
U	N08-0238	R.B	2008/11/03		± 2"	
V	N08-0264	R.B	2008/12/08	dr	SHIRLEY HSU 03/03/97	product family USB
				enrg	R Y LIU 03/03/97	size dwg no
				chr	R Y LIU 03/03/97	61729
				appd	JENN TSAO 03/03/97	sheet 1 of 2
sheet index	revision sheet					

PDM: Rev:V

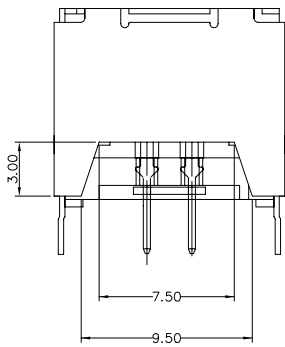
STATUS Released

Printed: Jul 28, 2010

PRODUCT NO.  
61729



TYPE "1" FULL BACK



TYPE "2" PARTIAL BACK

NOTES:

- MATERIAL:  
SHIELD & CONTACTS: COPPER ALLOY  
HOUSING: UL 94V-0 THERMOPLASTIC. COLOR: SEE PRODUCT NUMBER CODE.
- PLATING: SEE PRODUCT NUMBER CODE.  
SHIELD: BRIGHT TIN  
NICKEL UNDERPLATE.
- DATUMS & BASIC DIMENSIONS TO BE DETERMINED BY CUSTOMER
- RECOMMENDED BOARD THICKNESS IS 1.57 mm (.062)
- PACKING STANDARD GS-14-920 WILL BE APPLIED FOR LEAD FREE P/N'S
- FOR LEAD FREE P/N, THE PRODUCT MEET EUROPEAN UNION DIRECTIVES AND OTHER COUNTRY REGULATION AS DESCRIBED IN GS-22-008
- FOR LEAD FREE P/N'S, THE HOUSING WILL WITHSTAND EXPOSURE TO 260°C PEAK TEMPERATURE FOR 40 SECONDS IN A CONVECTION, INFRO-RED OR VAPOR PHASE REFLOW OVEN.
- THE PART CAN BE USED FOR PIP PROCESS.

mat'l. code		tolerances unless otherwise specified		CUSTOMER COPY	FCJ www.fcjconnect.com	
ltr	ecm no	dr	date	linear	projection	title
v						
				.00 ± 0.10		
				.000 ± 0.05		
				angles	± 2°	
		dr	SHIRLEY HSU 03/03/97	MM/INCH	product family	USB
		enr	R Y LIU 03/03/97	← →	size	dwg no
		chr	R Y LIU 03/03/97	scale	5 : 1	A3
		appd	JENN TSAO 03/03/97			61729
sheet index	revision sheet					sheet 2 of 2

PDM: Rev:V STATUS: Released Printed: Jul 28, 2010 6

USE WITH APPROPRIATE REWORK. REPRODUCTION OR MODIFICATION OF THIS DRAWING WITHOUT THE WRITTEN PERMISSION OF FCJ IS PROHIBITED.

USE WITH APPROPRIATE REWORK. REPRODUCTION OR MODIFICATION OF THIS DRAWING WITHOUT THE WRITTEN PERMISSION OF FCJ IS PROHIBITED.