

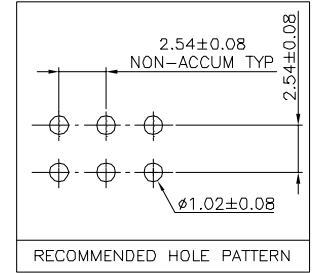
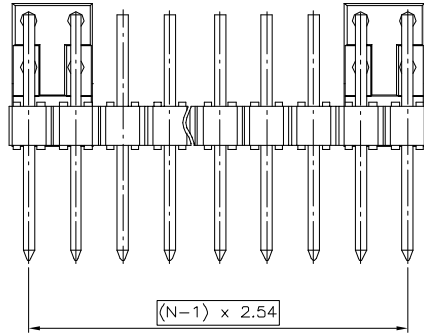
PRODUCT NUMBER  
6170XX2C185515LF

WHEN REQUIRED, ADD SUFFIX LETTER "LF"  
INDICATES THE PRODUCT IS RoHS  
COMPATIBLE, SEE NOTE 4

PLATING :

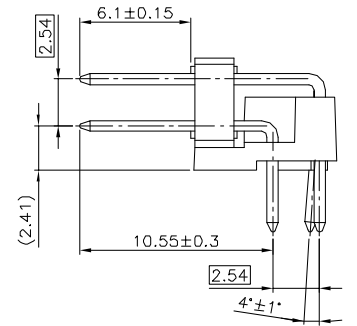
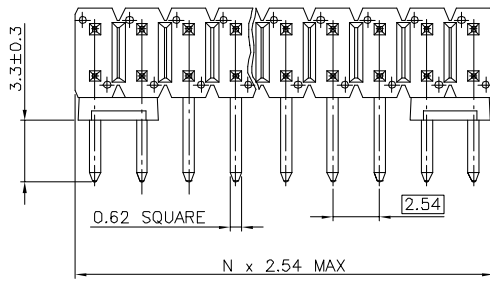
- 8 = 0.76µm GOLD ON CONTACT AREA  
3.81µm TIN-LEAD ON TAIL  
OVER 1.27µm MIN NICKEL IS
- WHEN "LF" IS REQUIRED, 2µm MATTE  
TIN OVER 1.27µm MIN NICKEL IS  
PROVIDED INSTEAD OF TIN-LEAD

NUMBER OF POS PER ROW  
02 TO 26 POS



NOTES:

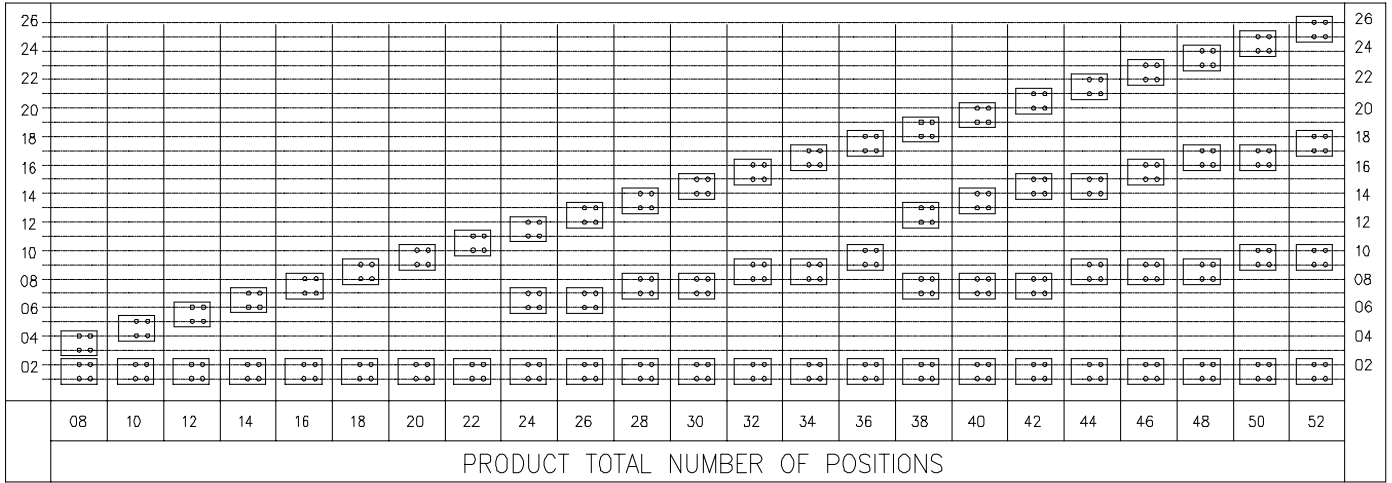
1. HOUSING MAT'L : HIGH TEMPERATURE THERMOPLASTIC. UL94V-0 COLOR: BLACK
2. PIN MATERIAL : PHOSPHOR BRONZE
3. PRODUCT PACKAGED IN BLIBOX.
4. 9N MIN RETENTION IN EITHER DIRECTION
5. TO DETERMINE DIMENSIONS :  
N = NUMBER OF POSITIONS PER ROW
6. RoHS COMPATIBLE PRODUCT SPECIFICATIONS
  - a - PLATING:  
- "LF" MEANS THE PRODUCT IS LEAD-FREE,  
2µm MINIMUM MATTE TIN OVER 1.27µm  
MINIMUM NICKEL UNDERPLATE.
  - b - MANUFACTURING PROCESS COMPATIBILITY  
- THE HOUSING WILL WITHSTAND EXPOSURE TO  
260°C ±5°C SOLDER BATH TEMPERATURE FOR  
5 SECONDS IN A WAVE SOLDER APPLICATION  
WITH A 1.6mm MIN THICK CIRCUIT BOARD.
  - c - LABELING:  
- MEETS PACKAGING SPECS AS PER GS-14-920
  - d - LEGAL STATEMENT: SEE GS-22-008



mat'l. code		surface		tolerance		projection		product family	
litr ecn no dr date		ISO 1382		ISO 486 ISO 1101		mm		BSTIK	
B F10522 LMU 01.09.17		tolerances unless otherwise specified		linear		scale 1:5		title	
C F05-040 LMU 05.11.24		angles		linear		FCI		HEADER DR RA	
D F06-020 LMU 06.07.27		dr		L.MULIN 05.11.24		sheet 1 of 2		size	
		engnr		J.COMPAGNON 05.11.24		55394		A3	
		chr		appd JMC 05.11.24		CUSTOMER Drawing			
sheet index		revision sheet		D D					
1 2									

1 2 3 4 5 6

SPACER LOCATION PER PRODUCT SIZE



PRODUCT TOTAL NUMBER OF POSITIONS

FCI  
FCIconnect.com

Copyright FCI

mat'l. code		surface <input checked="" type="checkbox"/> ISO 1302 / <input type="checkbox"/> tolerance ISO 486 - ISO 1101		projection		product family BSTIK	
Ltr	ecn no	dr	date	tolerances unless otherwise specified		title	
B	F10522	LMU	01.09.17	angles	linear	HEADER DR RA	
C	FD5-040	LMU	05.11.24	mm		SPECIAL SPACER STYLE	
D	FD6-020	LMU	06.07.27	dr	L.MULIN 05.11.24	dwg no	sheet 2 of size
				engr	J.COMPAGNON 05.11.24	55394	A3
				chr		type	
				appd	JMC 05.11.24	CUSTOMER Drawing	
sheet index	revision sheet						