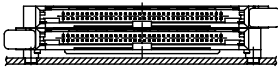


DESCRIPTION : ABOVE PCB, DECK AND PUSH ROD LOCATION ARE AS VIEW BY USER.

PRODUCT NO.	PUSH ROD LOCATION		STAND-OFF HEIGHT	CLOSEST TO PCB		FARTHEST FROM PCB		THREADED INSERT (2 PCS) ④ 61553-****	MATING RECEPTACLE ⑤	P.C.B SIDE	RECOMMENDED P.C.B LAYOUT	MOUNT STYLE TO PCB AND PUSH ROD SIDE
	DECK CLOSEST TO PCB	DECK FARTHEST TO PCB		EJ HDR ASS'Y ② 61557-*****	EJ HDR ASS'Y ③ 61556-*****							
000CA	LEFT	RIGHT	0.0	100CA	000CA	000CA	0000	100 POSITIONS (2x50) 0.8mm RECEPTACLE PART NO. 73277-101000	ABOVE	SEE DRAWING NO.: TA-1050		
020CA	LEFT	RIGHT	2.0	120CA	020CA	020CA	0020					
022CA	LEFT	RIGHT	2.2	122CA	022CA	022CA	0022					
040CA	LEFT	RIGHT	4.0	140CA	040CA	040CA	0040					
043CA	LEFT	RIGHT	4.3	143CA	043CA	043CA	0043					
050CA	LEFT	RIGHT	5.0	150CA	050CA	050CA	0050					
100CA	RIGHT	LEFT	0.0	000CA	100CA	0000	0000					
120CA	RIGHT	LEFT	2.0	020CA	120CA	0200	0020					
122CA	RIGHT	LEFT	2.2	022CA	122CA	0220	0022					
140CA	RIGHT	LEFT	4.0	040CA	140CA	0400	0040					
143CA	RIGHT	LEFT	4.3	043CA	143CA	0430	0043					
150CA	RIGHT	LEFT	5.0	050CA	150CA	0500	0050					
200CA	RIGHT	RIGHT	0.0	000CA	200CA	0000	0000					
206CA	RIGHT	RIGHT	0.6	006CA	206CA	0060	0006					
220CA	RIGHT	RIGHT	2.0	020CA	220CA	0200	0020					
222CA	RIGHT	RIGHT	2.2	022CA	222CA	0220	0022					
240CA	RIGHT	RIGHT	4.0	040CA	240CA	0400	0040					
243CA	RIGHT	RIGHT	4.3	043CA	243CA	0430	0043					
250CA	RIGHT	RIGHT	5.0	050CA	250CA	0500	0050					
300CA	LEFT	LEFT	0.0	100CA	300CA	0000	0000					
320CA	LEFT	LEFT	2.0	120CA	320CA	0200	0020					
322CA	LEFT	LEFT	2.2	122CA	322CA	0220	0022					
340CA	LEFT	LEFT	4.0	140CA	340CA	0400	0040					
343CA	LEFT	LEFT	4.3	143CA	343CA	0430	0043					
350CA	LEFT	LEFT	5.0	150CA	350CA	0500	0050					

ORDERING INFORMATION

THREADED INSERT ASSEMBLED BY BERG		
NAME	PART NO.	Q'TY
① EJECT HEADER ASS'Y	61555-*****	1
⑤ MATING RECEPTACLE	73277-101000	2
THREADED INSERT ASSEMBLED BY CUSTOMER		
NAME	PART NO.	Q'TY
② DECK CLOSEST TO PCB	61557-*****	1
③ DECK FARTHEST FROM PCB	61556-*****	1
④ M2 INSERT	61553-****	2
⑤ MATING RECEPTACLE	73277-101000	2

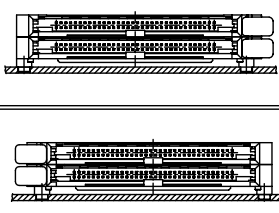
mat'l code		tolerance unless otherwise specified		CUSTOMER COPY		ELECTRONICS	
rev.	ecn no.	dr	date	linear	± 0.30	projection	title
A	T60342	W	L 07/25/98				
B	T60488	W	L 12/10/98	angles	± 2°	unit	product family : PCMCIA
C	T70009	W	L 01/04/97				
D	T70275	W	L 07/09/97	dr	WENDY CHEN	07/25/98	code
E	T80260	W	L 06/22/98	enar	JOSEPH HSIAO	07/25/98	mm/inch
F	T00103	W	L 04/19/00	chr	JOSEPH HSIAO	07/25/98	scale
				appd	JENN TSAO	07/25/98	1:1
sheet	revision	F	E	E	E	F	E
index	sheet	1	2	3	4	5	6

PDM: Rev:F STATUS Released Printed: Oct 12, 2010

Tous droits strictement reserves. Reproduction ou communication a des tiers int
 sans l'autorisation de BERG ELECTRONICS est formellement interdite.
 Droits de reproduction BERG ELECTRONICS by
 FCI
 All rights strictly reserved. Reproduction or issues to third parties in any for
 without the written permission of BERG ELECTRONICS is not permitted.
 Copyright BERG ELECTRONICS by
 FCI


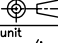
All rights strictly reserved. Reproduction or issues to third parties in any form or by any means, without the prior written authority of the proprietor. Copyright BERG ELECTRONICS S.A.

DESCRIPTION : ABOVE PCB, DECK AND PUSH ROD LOCATION ARE AS VIEW BY USER.

PRODUCT NO.	PUSH ROD LOCATION		STAND-OFF HEIGHT	CLOSEST TO PCB	FARTHEST FROM PCB	THREADED INSERT (2 PCS) ④ 61553-***	MATING RECEPTACLE ⑤	P.C.B SIDE	RECOMMENDED P.C.B LAYOUT	MOUNT STYLE TO PCB AND PUSH ROD SIDE
	DECK CLOSEST TO PCB	DECK FARTHEST TO PCB		③ 61557-*****	③ 61556-*****					
200CAS	RIGHT	RIGHT	0.0	000CAS	000CAS	0000	100 POSITIONS (2x50) 0.8mm RECEPTACLE	ABOVE	SEE DRAWING NO.: TA-1050	
206CAS	RIGHT	RIGHT	0.6	006CAS	006CAS	0006				
220CAS	RIGHT	RIGHT	2.0	020CAS	020CAS	0020				
222CAS	RIGHT	RIGHT	2.2	022CAS	022CAS	0022				
240CAS	RIGHT	RIGHT	4.0	040CAS	040CAS	0040				
243CAS	RIGHT	RIGHT	4.3	043CAS	043CAS	0043				
250CAS	RIGHT	RIGHT	5.0	050CAS	050CAS	0050				
300CAS	LEFT	LEFT	0.0	100CAS	100CAS	0000				
320CAS	LEFT	LEFT	2.0	120CAS	120CAS	0020				
322CAS	LEFT	LEFT	2.2	122CAS	122CAS	0022				
340CAS	LEFT	LEFT	4.0	140CAS	140CAS	0040				
343CAS	LEFT	LEFT	4.3	143CAS	143CAS	0043				
350CAS	LEFT	LEFT	5.0	150CAS	150CAS	0050				

ORDERING INFORMATION

THREADED INSERT ASSEMBLED BY BERG		
NAME	PART NO.	Q'TY
① EJECT HEADER ASS'Y	61555-*****	1
⑤ MATING RECEPTACLE	73277-101000	2
NAME	PART NO.	Q'TY
② DECK CLOSEST TO PCB	61557-*****	1
③ DECK FARTHEST FROM PCB	61556-*****	1
④ M2 INSERT	61553-****	2
⑤ MATING RECEPTACLE	73277-101000	2

mat'l code	tolerance unless otherwise specified	CUSTOMER COPY	
rev. ecn no. dr date	linear ± 0.30	projection	title CARDBUS EJ HEADER SMT, TYPE 1/2/3
⑤	angles ± 2°		product family PCMCIA
	dr WENDY CHEN/06/22/98	unit mm/inch	code TWN
	enar JOSEPH HSIAD/06/22/98	scale 1:1	sheet 2 OF
	chr JOSEPH HSIAD/06/22/98		
	appd JENN TSAO/06/22/98		
sheet revision index sheet			

All rights strictly reserved. Reproduction or issues to third parties in any form or by any means, electronic or mechanical, including photocopying, recording, or by any information storage and retrieval system, is not permitted without written authority from the proprietor. Copyright © BERG ELECTRONICS S.p.A.

PRODUCT NO.
 SEE TABLE A

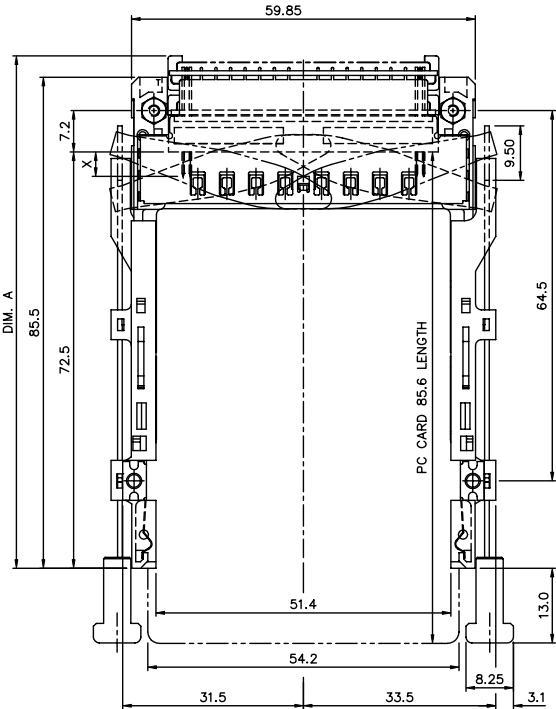
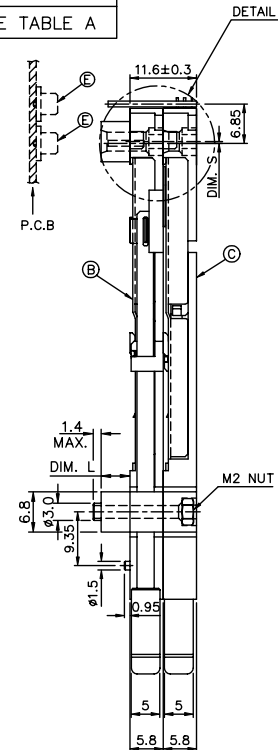
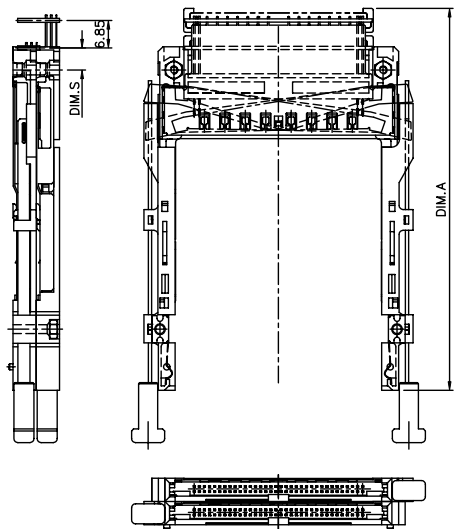


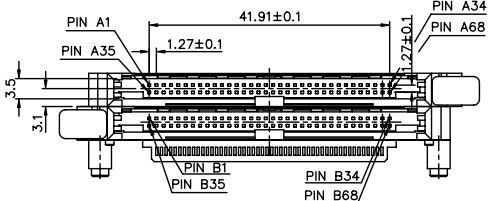
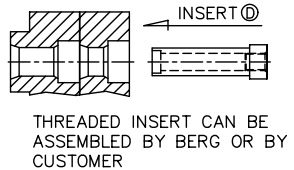
TABLE A

PRODUCT NO.	STAND-OFF(DIM. L)	DIM. S	DIM. A
61555-050CA	5.0 mm	-0.3	89.25
-043CA	4.3 mm	-0.3	89.25
-040CA	4.0 mm	-0.3	89.25
-022CA	2.2 mm	1.0	90.55
-020CA	2.0 mm	1.0	90.55
-000CA	NONE	5.5	95.05



P/N: 61555-000CA

(ABOVE P.C.B/LAYOUT SEE TA-1050)



P/N: 61555-0**CA

(ABOVE P.C.B/LAYOUT SEE TA-1050)

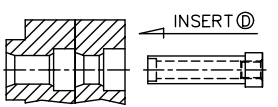
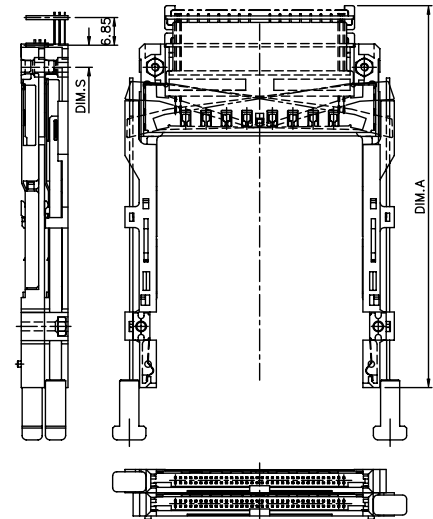
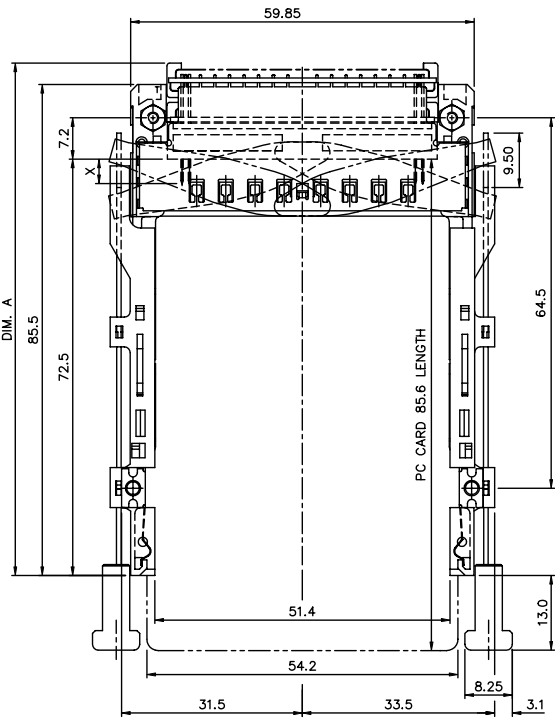
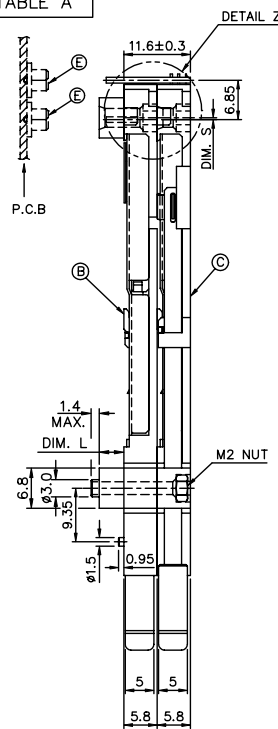
mat'l code	tolerance unless otherwise specified	CUSTOMER COPY	BERG ELECTRONICS	
rev. ecn no. dr date	linear	projection	title CARDBUS EJ HEADER SMT, TYPE 1/2/3	
E		± 0.30	product family PCMCIA code TWN	
	angles ± 2°	unit mm/inch	size dwg no. 61555	sheet 3 OF
	dr WENDY CHEN/07/25/98	scale 1:1		
	enrg JOSEPH HSIAD/07/25/98			
	chr JOSEPH HSIAD/07/25/98			
	app JENN TSAO/07/25/98			
sheet revision index	sheet			

Tous droits strictement réservés. Reproduction ou communication o des tiers int
 sous quelque forme que ce soit sans autorisation écrite du propriétaire.
 Copyright BERG ELECTRONICS by
 All rights strictly reserved. Reproduction or issues to third parties in any for
 is not permitted without written authority from the proprietor.
 Copyright BERG ELECTRONICS by

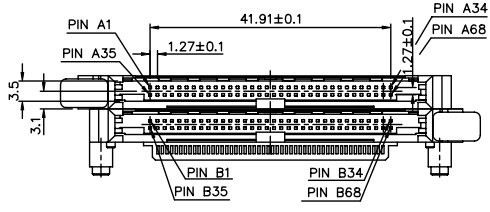
PRODUCT NO.
SEE TABLE A

TABLE A

Ⓐ PRODUCT NO.	STAND-OFF(DIM. L)	DIM. S	DIM. A
61555-150CA	5.0 mm	-0.3	89.25
-143CA	4.3 mm	-0.3	89.25
-140CA	4.0 mm	-0.3	89.25
-122CA	2.2 mm	1.0	90.55
-120CA	2.0 mm	1.0	90.55
-100CA	NONE	5.5	95.05



THREADED INSERT CAN BE ASSEMBLED BY BERG OR BY CUSTOMER



P/N: 61555-1**CA
(ABOVE P.C.B/LAYOUT SEE TA-1050)

P/N: 61555-100CA
(ABOVE P.C.B/LAYOUT SEE TA-1050)

mat'l code	tolerance unless otherwise specified	CUSTOMER COPY	BERG ELECTRONICS
rev. ecn no. dr date	linear	projection	title CARDBUS EJ HEADER SMT, TYPE 1/2/3
E	± 0.30	⊕	product family PCMCIA
	angles ± 2°	unit mm/inch	size dwg no. 61555
	dr WENDY CHEN/25/98	scale 1:1	code TWN
	enar JOSEPH HSI/25/98		sheet 4 OF
	chr JOSEPH HSI/25/98		
	appd JENN TSAO/25/98		
sheet revision index	revision sheet		

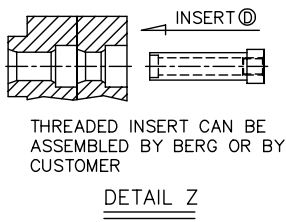
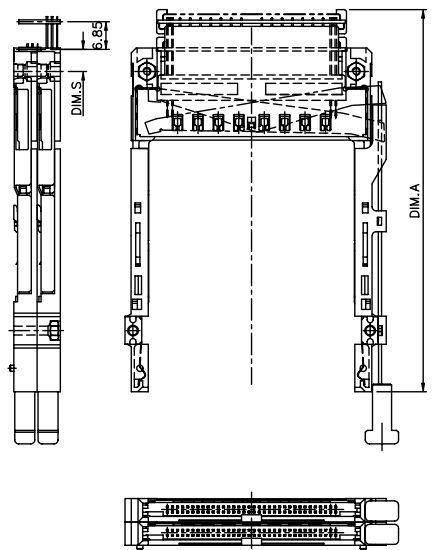
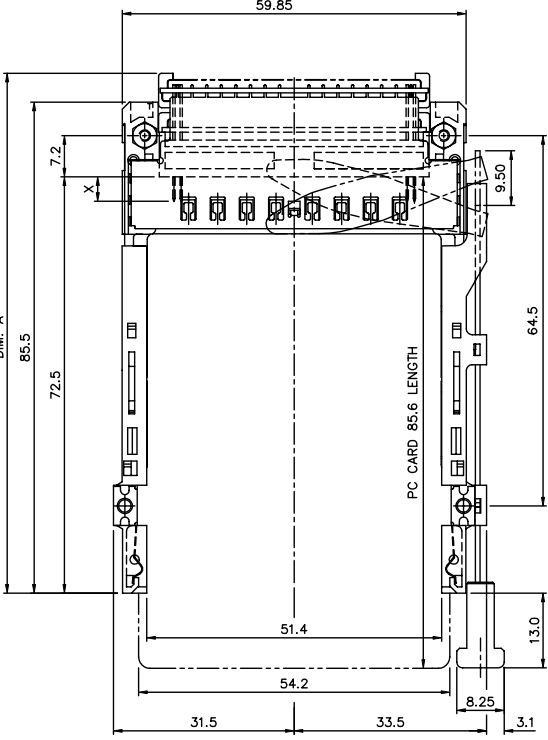
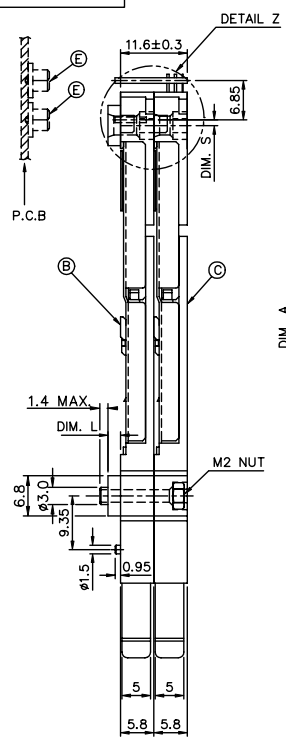
Tous droits strictement réservés. Reproduction ou communication o des tiers int
 sous quelque forme que ce soit sans autorisation écrite du propriétaire.
 Droits de reproduction BERG ELECTRONICS by

All rights strictly reserved. Reproduction or issues to third parties in any for
 whatever is not permitted without written authority from the proprietor.
 Copyright BERG ELECTRONICS by

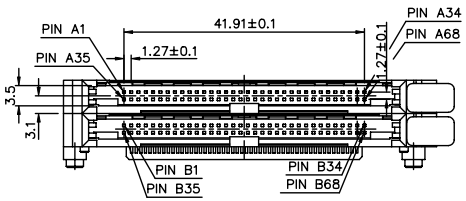
PRODUCT NO.
 SEE TABLE A

TABLE A

PRODUCT NO.	STAND-OFF(DIM. L)	DIM. S	DIM. A
61555-250CA	5.0 mm	-0.3	89.25
-243CA	4.3 mm	-0.3	89.25
-240CA	4.0 mm	-0.3	89.25
-222CA	2.2 mm	1.0	90.55
-220CA	2.0 mm	1.0	90.55
-206CA	0.6 mm	5.5	95.05
-200CA	NONE	5.5	95.05



THREADED INSERT CAN BE
 ASSEMBLED BY BERG OR BY
 CUSTOMER



P/N : 61555-2**CA
 (ABOVE P.C.B/LAYOUT SEE TA-1050)

P/N : 61555-200CA
 (ABOVE P.C.B/LAYOUT SEE TA-1050)

mat'l code	tolerance unless otherwise specified	CUSTOMER COPY	BERG ELECTRONICS
rev. ecn no. dr date	linear	projection	title CARDBUS EJ HEADER SMT, TYPE 1/2/3
E	± 0.30		product family PCMCIA code TWN
	angles ± 2°	unit mm/inch	size dwg no. 61555 sheet 5 OF
	dr WENDY CHEN/07/25/98	scale 1:1	
	enar JOSEPH HSIA/07/25/98		
	chr JOSEPH HSIA/07/25/98		
	appd JENN TSAO/07/25/98		
sheet revision			
index sheet			

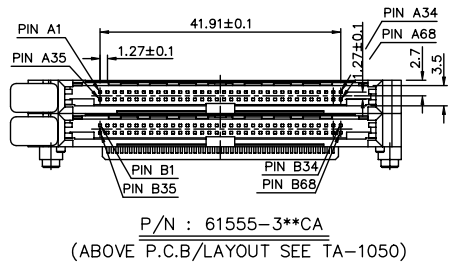
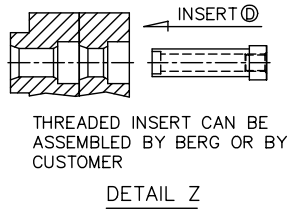
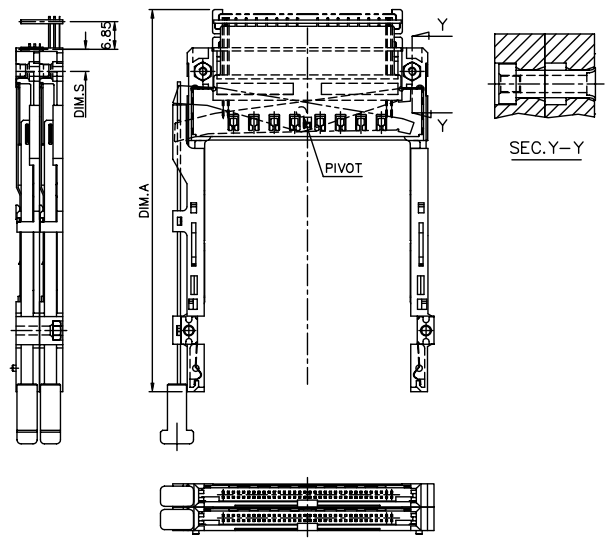
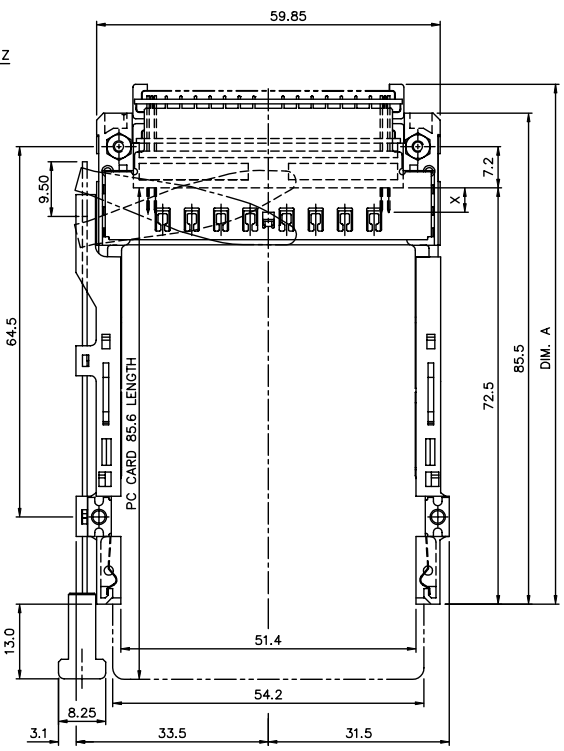
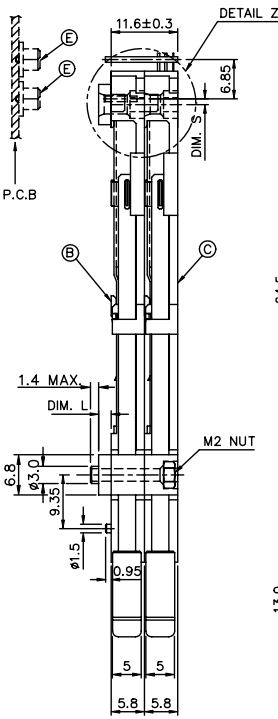
Tous droits strictement réservés. Reproduction ou communication o des tiers int
 sous quelque forme que ce soit sans autorisation écrite du propriétaire.
 Droits de reproduction BERG ELECTRONICS by

All rights strictly reserved. Reproduction or issues to third parties in any for
 whatever is not permitted without written authority from the proprietor.
 Copyright BERG ELECTRONICS by

PRODUCT NO.
 SEE TABLE A

TABLE A

④ PRODUCT NO.	STAND-OFF(DIM. L)	DIM. S	DIM. A
61555-350CA	5.0 mm	-0.3	89.25
-343CA	4.3 mm	-0.3	89.25
-340CA	4.0 mm	-0.3	89.25
-322CA	2.2 mm	1.0	90.55
-320CA	2.0 mm	1.0	90.55
-300CA	NONE	5.5	95.05



P/N : 61555-300CA
 (ABOVE P.C.B/LAYOUT SEE TA-1050)

mat'l code	tolerance unless otherwise specified	CUSTOMER COPY	BERG ELECTRONICS	
rev. ecn no. dr date	linear ± 0.30	projection	title CARDBUS EJ HEADER SMT, TYPE 1/2/3	
E	angles ± 2°	unit mm/inch	product family PCMCIA	code TWN
	dr WENDY CHEN/07/25/98	scale 1:1	size dwg no. 61555	sheet 6 OF
	enar JOSEPH HSIA/07/25/98			
	chr JOSEPH HSIA/07/25/98			
	appd JENN TSAO/07/25/98			
sheet revision index	revision sheet			

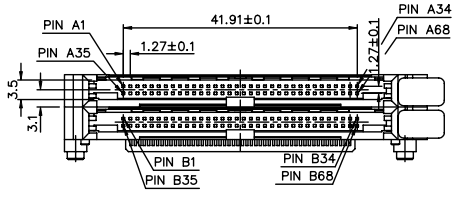
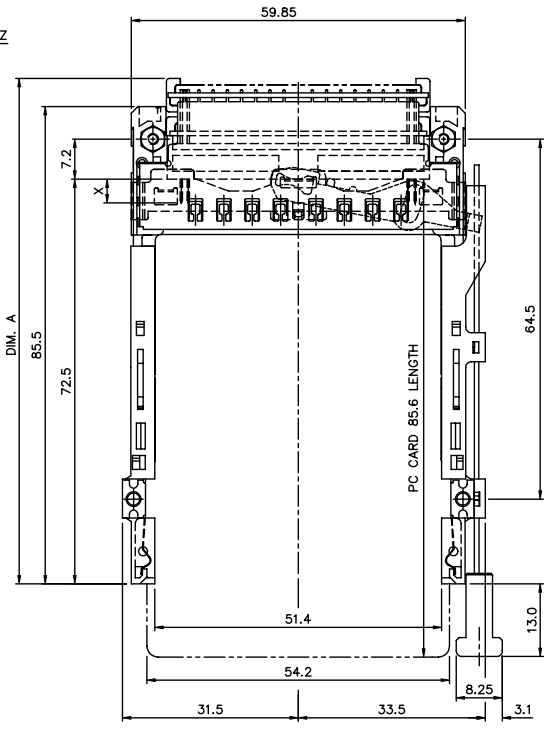
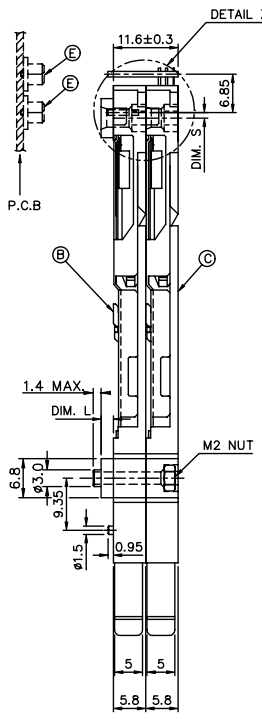
PDM: Rev:F STATUS Released Printed: Oct 12, 2010

Tous droits strictement réservés. Reproduction ou communication o des tiers int sans autorisation écrite du propriétaire.
 Droits de reproduction BERG ELECTRONICS by



All rights strictly reserved. Reproduction or issues to third parties in any for without written authority from the proprietor.
 Copyright BERG ELECTRONICS by

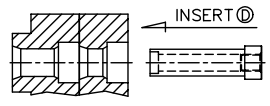
PRODUCT NO.
SEE TABLE A



P/N : 61555-2**CAS
(ABOVE P.C.B/LAYOUT SEE TA-1050)

TABLE A

① PRODUCT NO.	STAND-OFF(DIM. L)	DIM. S	DIM. A
61555-250CAS	5.0 mm	-0.3	89.25
-243CAS	4.3 mm	-0.3	89.25
-240CAS	4.0 mm	-0.3	89.25
-222CAS	2.2 mm	1.0	90.55
-220CAS	2.0 mm	1.0	90.55
-206CAS	0.6 mm	5.5	95.05
-200CAS	NONE	5.5	95.05



THREADED INSERT CAN BE ASSEMBLED BY BERG OR BY CUSTOMER

DETAIL Z

mat'l code		tolerance unless otherwise specified		CUSTOMER COPY		ELECTRONICS	
rev.	ecn no.	dr	date	linear	± 0.30	projection	title CARDBUS EJ HEADER SMT, TYPE 1/2/3
F				angles	± 2'	①	
				dr	WENDY CHEN 06/22/98	unit	product family : PCMCIA
				enar	JOSEPH HSIA 06/22/98	mm/inch	code
				chr	JOSEPH HSIA 06/22/98	scale	TWN
				appd	JENN TSAO 06/22/98	size	sheet
						A3	61555
sheet	revision						7 of
index	sheet						

All rights strictly reserved. Reproduction or issues to third parties in any form is not permitted without written authority from the proprietor. FCI ELECTRONICS S.A. Copyright © FCI ELECTRONICS S.A.

PRODUCT NO.
 SEE TABLE A

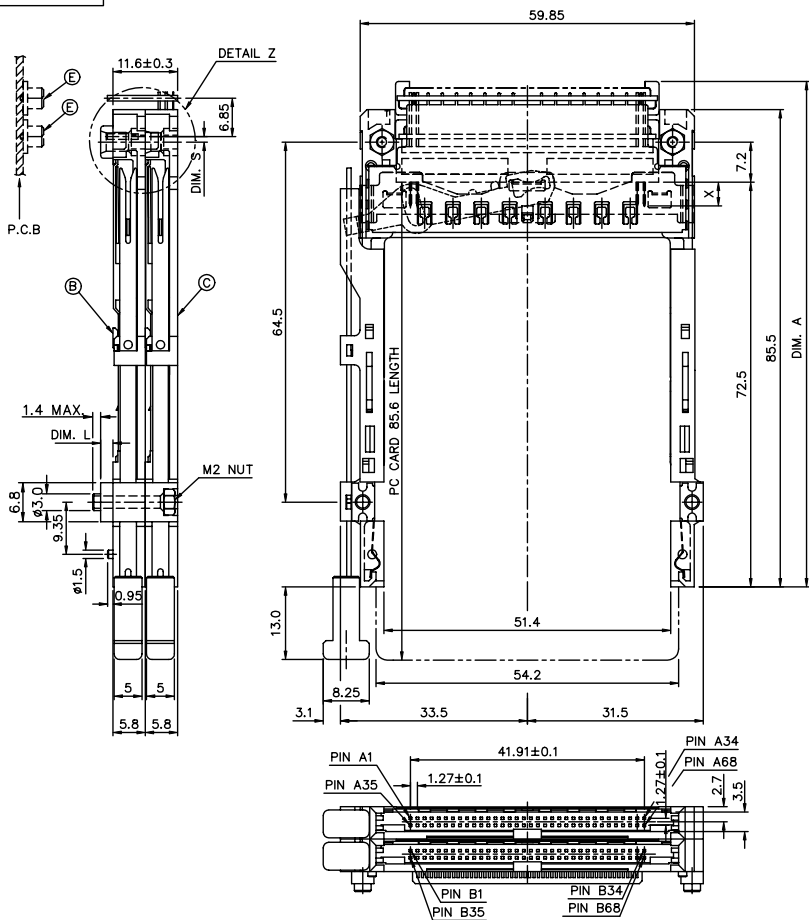
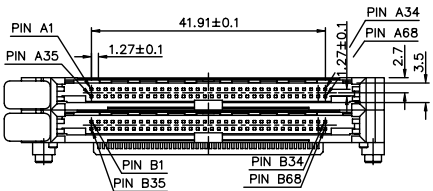
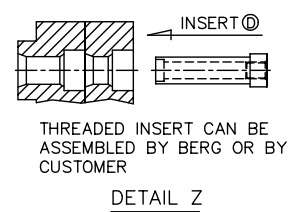


TABLE A

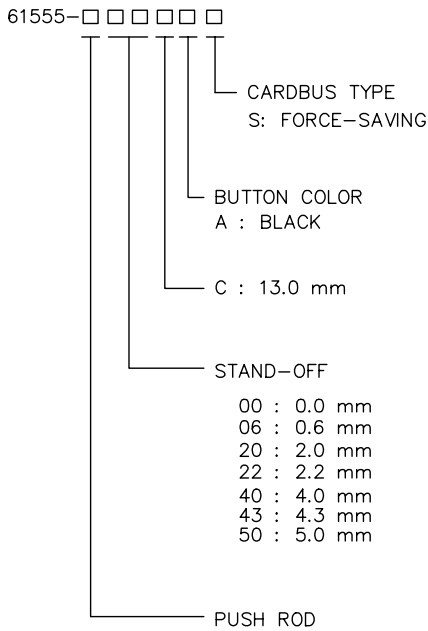
① PRODUCT NO.	STAND-OFF(DIM. L)	DIM. S	DIM. A
61555-350CAS	5.0 mm	-0.3	89.25
-343CAS	4.3 mm	-0.3	89.25
-340CAS	4.0 mm	-0.3	89.25
-322CAS	2.2 mm	1.0	90.55
-320CAS	2.0 mm	1.0	90.55
-300CAS	NONE	5.5	95.05



P/N : 61555-3**CAS
 (ABOVE P.C.B/LAYOUT SEE TA-1050)

mat'l code		tolerance unless otherwise specified		CUSTOMER COPY		ELECTRONICS	
rev.	ecn no.	dr	date	linear	projection	title	
F				± 0.30		CARDBUS EJ HEADER SMT, TYPE 1/2/3	
				angles ± 2°		product family : PCMCIA	code
				dr WENDY CHEN/06/22/98	unit mm/inch	size	TWN
				engr JOSEPH HSIA/06/22/98	scale	dwg no. 61555	sheet 8 of
				chr JOSEPH HSIA/06/22/98			
				appd JENN TSAO/06/22/98			
sheet	revision						
index	sheet						

PART NUMBER DESCRIPTION :



- 00 : 0.0 mm
- 06 : 0.6 mm
- 20 : 2.0 mm
- 22 : 2.2 mm
- 40 : 4.0 mm
- 43 : 4.3 mm
- 50 : 5.0 mm

TOP MOUNT	BOTTOM MOUNT
0 : RIGHT-LEFT	5 : RIGHT-LEFT
1 : LEFT-RIGHT	6 : LEFT-RIGHT
2 : RIGHT-RIGHT	7 : RIGHT-RIGHT
3 : LEFT-LEFT	8 : LEFT-LEFT

NOTES:

- 1 8.0mm MIN CARD EJECT.
- 2 EJECT TRAVEL: 9.50mm
- 3 MATERIAL:
 - 3.1 EJECT HEADER ASS'Y
 - PLASTIC HOUSING: LCP UL94V-0 BLACK
 - PIN: PHOSPHOR BRONZE
 - PCB: FR4
 - PLASTIC GUIDE: POLYPHTHARAMID UL94V-0 BLACK
 - PLATE: STAINLESS
 - EMI CONTACT: PHOSPHOR BRONZE
 - 3.2 RECEPACLE
 - PLASTIC: LCP 94V-0 NATURAL
 - PIN: BeCu
- 4 FINISH
 - PIN :
 - UNDER PLATING: 0.5um MIN. Ni
 - CONTACT AREA: 0.1um MIN. GOLD OVER
 - 0.5um MIN. Pd-Ni
 - SOLDER TAIL: 2.5um MIN. Sn-Pb
 - GROUND SHIELD :
 - UNDER PLATING: 0.75um MIN. Ni
 - CONTACT SURFACE: 0.03um GOLD MIN. OVER
 - PdNi 0.5um MIN.(GOLD FLASH DOUBLE SIDES)
 - OR, 0.38um GOLD(ONE SIDE ONLY)
- 5 PUSH ROD LOCATION AND P.C.B. ARE AS APPEARS INSTALLED
- 6 DIM "x"

4.25±0.1	3.5±0.1	5.0±0.1
OTHERS	36,67	1,17,34,35,51,68
- 7 DO NOT TOUCH AND KEEP CLEAN THE SURFACES OF PCB OF HEADER ASS'Y.
- 8 P.C.B LAYOUT AND PIN ASSIGNMENT REFERED TO PART NUMBER TA-1050.

mat'l code		tolerance unless otherwise specified		CUSTOMER COPY		BERG ELECTRONICS	
rev.	ecn no.	dr	date	linear	±0.30	projection	title
E				angles	± 2°		CARDBUS EJ HEADER SMT, TYPE 1/2/3
		dr	WENDY CHEN 07/25/98	unit	mm /inch	product family	PCMCIA
		engr	JOSEPH HSIA 07/25/98	scale	1:1	size	dwg no.
		chr	JOSEPH HSIA 07/25/98	scale	1:1	A3	61555
		appd	JENN TSAO 07/25/98				code
sheet	revision						TWN
index	sheet						9 OF

All rights strictly reserved. Reproduction or issue to third parties in any form or by any means, without written authority from the proprietor. Copyright BERG ELECTRONICS by