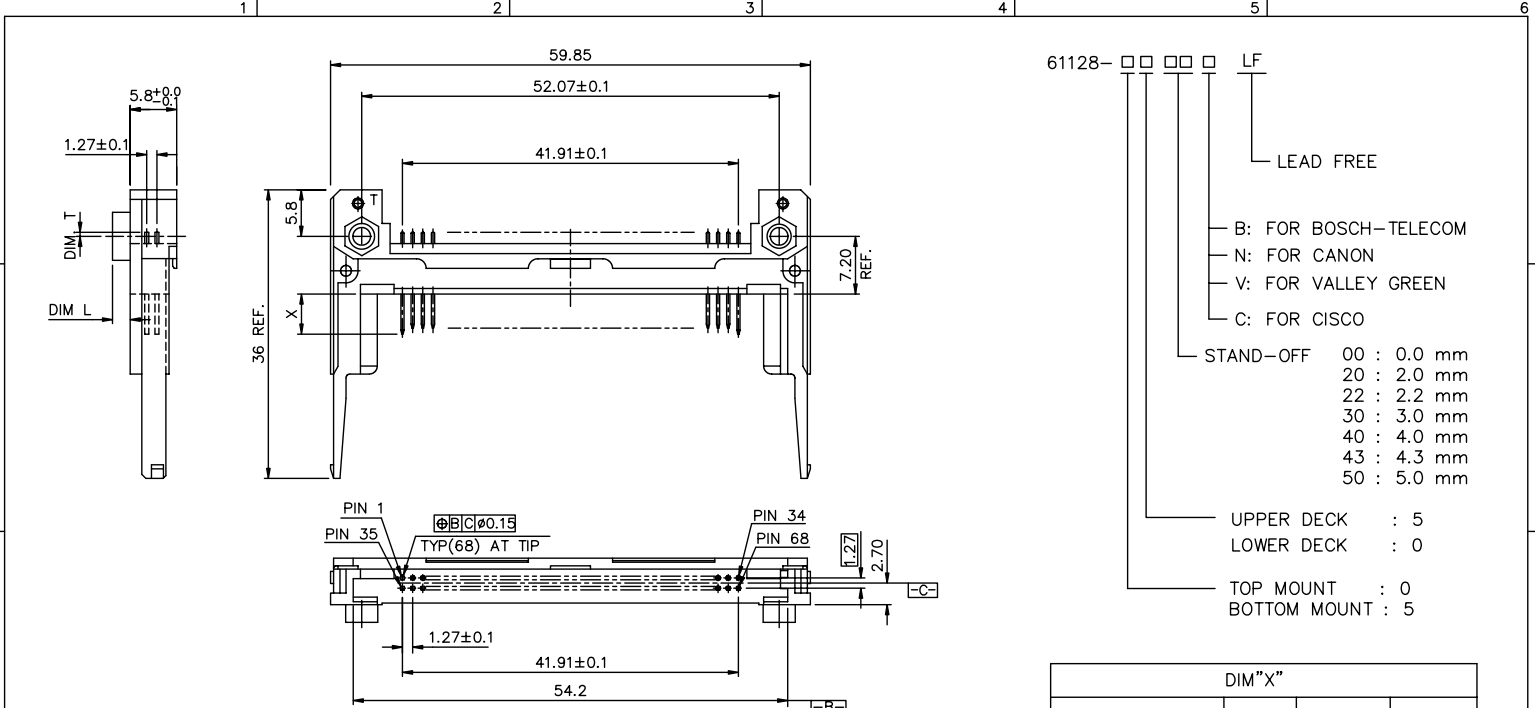


Tous droits strictement réservés. Reproduction ou communication o des tiers int
 propriété de BERG ELECTRONICS. Toute réimpression sans autorisation écrite du propriétaire.
 Droits de reproduction BERG ELECTRONICS by

All rights strictly reserved. Reproduction or issue to third parties in any for
 review is not permitted without written authority from the proprietor.
 Copyright BERG ELECTRONICS by



PRODUCT NO	DIM. L	DIM. T±0.10
61128-0543C/0543CLF	0.0	7.5
61128-0050C/0050CLF	5.0	0.6
61128-0043C/0043CLF	4.3	0.6
61128-0022C/0022CLF	2.2	0.6
61128-0022B/0022BLF	2.2	0.6
61128-0022/0022LF	2.2	0.6
61128-0543/0543LF	0.0	7.5
61128-0500/0500LF	0.0	10.9
61128-0100/0100LF	0.0	3.0
61128-0050N/0050NLF	5.0	0.6
61128-0040/0040LF	4.0	0.6
61128-0043/0043LF	4.3	0.6
61128-0050/0050LF	5.0	0.6
61128-0022V/0022VLF	2.2	3.0

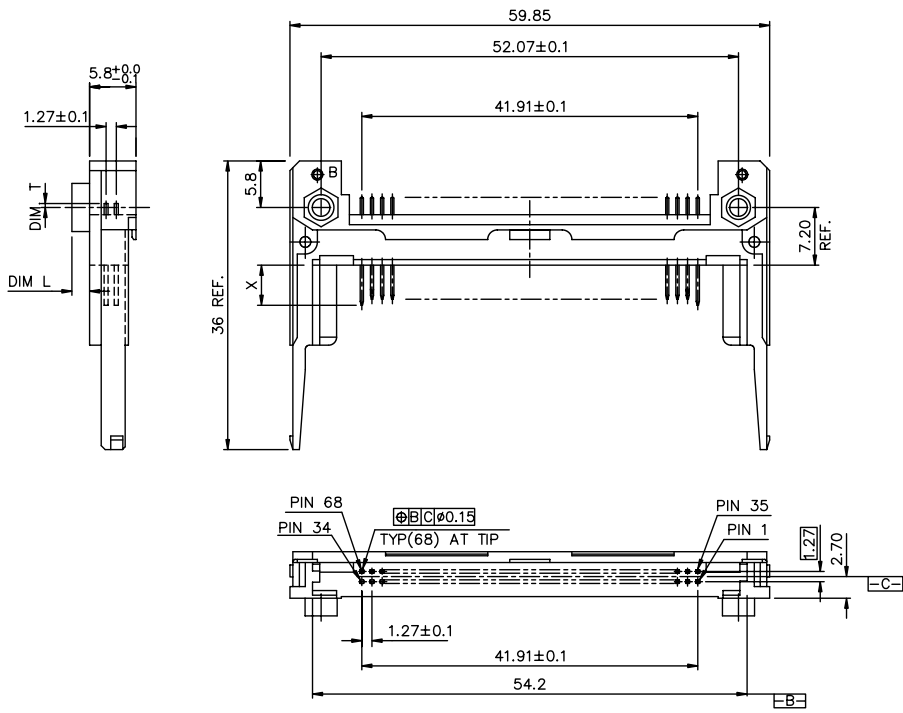
- 61128- [] [] [] [] LF
- LEAD FREE
- B: FOR BOSCH-TELECOM
 - N: FOR CANON
 - V: FOR VALLEY GREEN
 - C: FOR CISCO
- STAND-OFF 00 : 0.0 mm
 20 : 2.0 mm
 22 : 2.2 mm
 30 : 3.0 mm
 40 : 4.0 mm
 43 : 4.3 mm
 50 : 5.0 mm
- UPPER DECK : 5
 LOWER DECK : 0
- TOP MOUNT : 0
 BOTTOM MOUNT : 5

PIN NUMBER	DIM "X"		
		4.25±0.1	3.5±0.1
OTHERS		36,67	1,17,34 35,51,68

mat'l code		tolerance unless otherwise specified		CUSTOMER COPY		FCI		www.fciconnect.com	
rev.	ecn no.	dr	date	linear	±0.30	projection	title		
K	T03-0389	w	09/16/03				68POS. EJECTOR HEADER HEADER ASS'Y		
L	N04-0030	p	07/21/04	angles	± 2'		product family	FWGA	code
M	N05-0140	w	05/31/05	dr	WENDY CHEN 07/11/95	unit	mm/inch	size	dwg no.
				enrg	L.W. LU 07/11/95	scale	2:1	A3	61128
				chr	JOSEPH HSIA 07/11/95	sheet	1 of 2		
				appd	JENN TSAO 07/11/95				

Tous droits strictement réservés. Reproduction ou communication o des tiers int
 proceure de BERG ELECTRONICS.
 Droits de reproduction BERG ELECTRONICS by

All rights strictly reserved. Reproduction or issue to third parties in any for
 proceure of BERG ELECTRONICS.
 Copyright BERG ELECTRONICS by



- 61128- □ □ □
- LF : LEAD FREE
- STAND-OFF
- 00 : 0.0 mm
 - 20 : 2.0 mm
 - 22 : 2.2 mm
 - 30 : 3.0 mm
 - 40 : 4.0 mm
 - 43 : 4.3 mm
 - 50 : 5.0 mm
- UPPER DECK : 5
- LOWER DECK : 0
- TOP MOUNT : 0
- BOTTOM MOUNT : 5

DIM "X"			
PIN NUMBER	4.25±0.1	3.5±0.1	5.0±0.1
OTHERS	36,67	1,17,34	35,51,68

61128-5022/5022LF	2.2	0.6
61128-5543/5543LF	0.0	7.5
61128-5500/5500LF	0.0	10.9
61128-5043/5043LF	4.3	0.6
61128-5050/5050LF	5.0	0.6
PRODUCT NO	DIM. L	DIM. T ±0.10

mat'l code		tolerance unless otherwise specified		CUSTOMER COPY		 www.fciconnect.com	
rev.	ecn no.	dr	date	linear	±0.30	projection	title
L				angles	± 2°		68POS. EJECTOR HEADER HEADER ASS'Y
				dr	WENDY CHEN 10/16/01	unit	product family
				enrg	MINERVA WANG 10/16/01	mm / inch	FWGMA
				chr	MINERVA WANG 10/16/01	size	code
				appd	JENN TSAO 10/16/01	scale	61128
sheet	revision					2:1	dwg no.
index	sheet					A3	sheet
							2 of