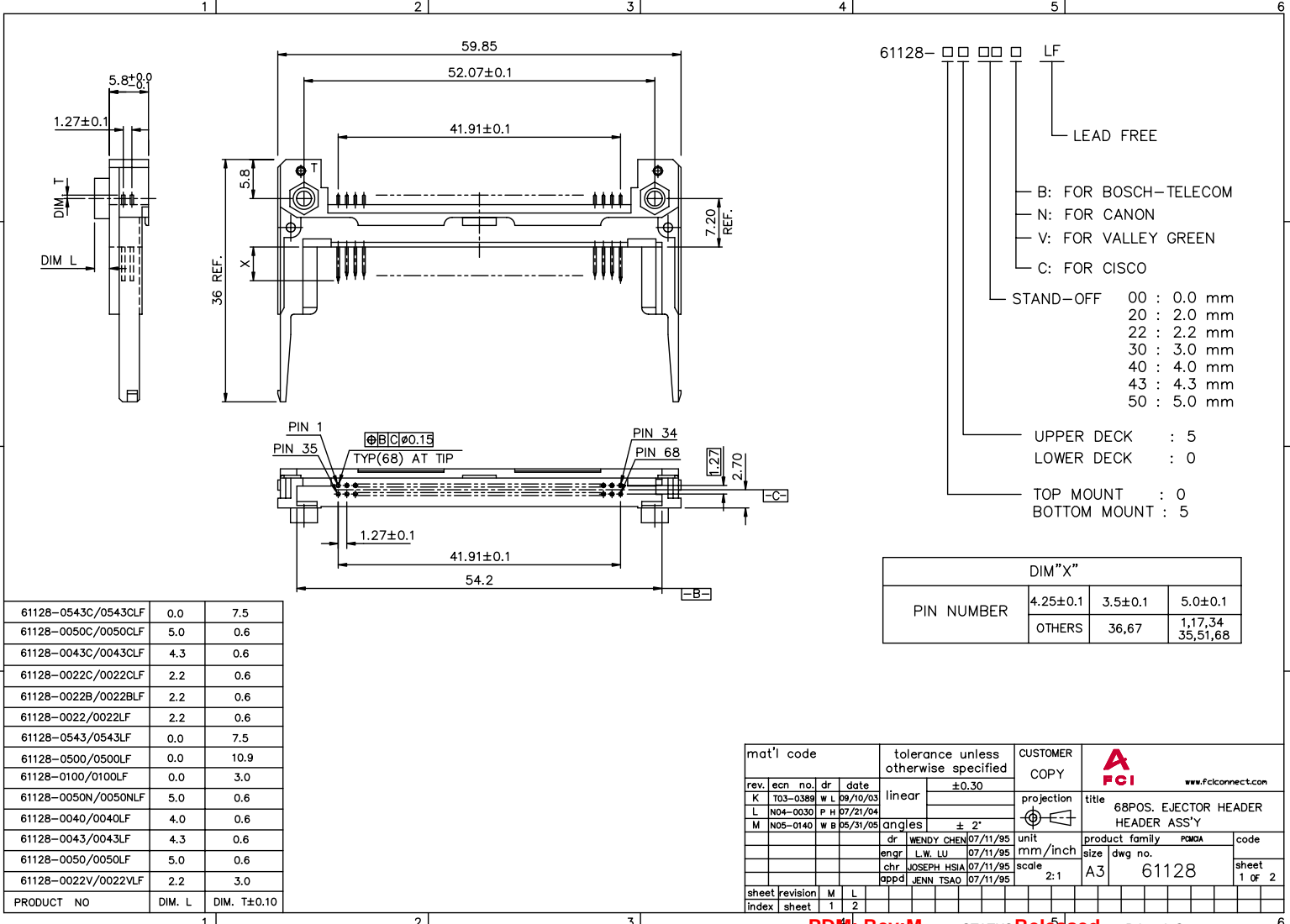


Tous droits strictement réservés. Reproduction ou communication o des tiers int
 propriété de BERG ELECTRONICS. Toute réimpression sans autorisation écrite du propriétaire.
 Droits de reproduction BERG ELECTRONICS by

All rights strictly reserved. Reproduction or issue to third parties in any for
 review is not permitted without written authority from the proprietor.
 Copyright BERG ELECTRONICS by



- 61128- [] [] [] [] LF
- LEAD FREE
- B: FOR BOSCH-TELECOM
 - N: FOR CANON
 - V: FOR VALLEY GREEN
 - C: FOR CISCO
- STAND-OFF 00 : 0.0 mm
 20 : 2.0 mm
 22 : 2.2 mm
 30 : 3.0 mm
 40 : 4.0 mm
 43 : 4.3 mm
 50 : 5.0 mm
- UPPER DECK : 5
 LOWER DECK : 0
- TOP MOUNT : 0
 BOTTOM MOUNT : 5

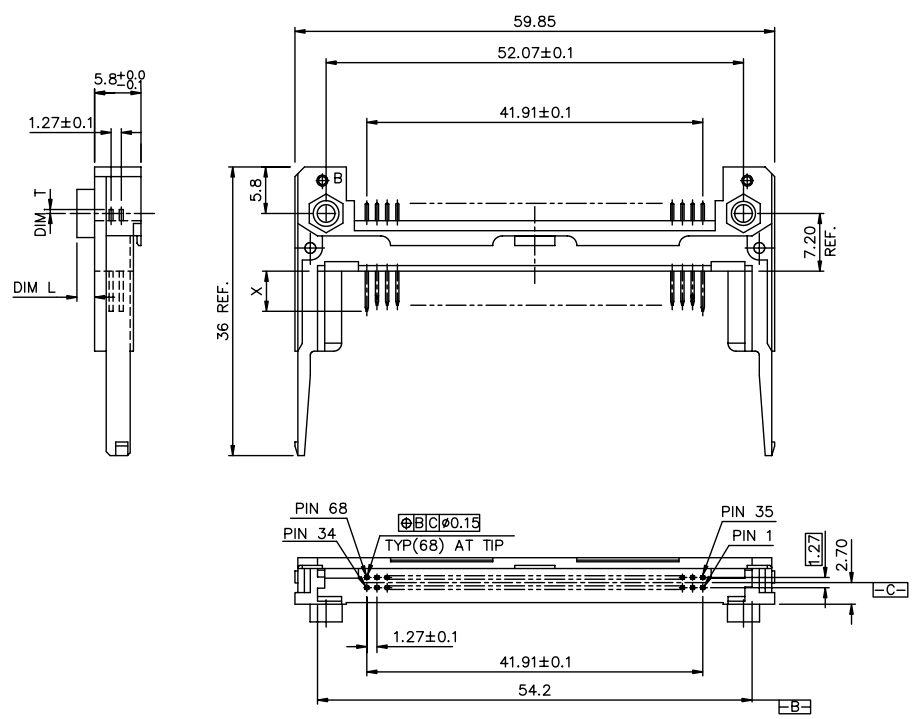
DIM "X"			
PIN NUMBER	4.25±0.1	3.5±0.1	5.0±0.1
	OTHERS	36,67	1,17,34 35,51,68

61128-0543C/0543CLF	0.0	7.5
61128-0050C/0050CLF	5.0	0.6
61128-0043C/0043CLF	4.3	0.6
61128-0022C/0022CLF	2.2	0.6
61128-0022B/0022BLF	2.2	0.6
61128-0022/0022LF	2.2	0.6
61128-0543/0543LF	0.0	7.5
61128-0500/0500LF	0.0	10.9
61128-0100/0100LF	0.0	3.0
61128-0050N/0050NLF	5.0	0.6
61128-0040/0040LF	4.0	0.6
61128-0043/0043LF	4.3	0.6
61128-0050/0050LF	5.0	0.6
61128-0022V/0022VLF	2.2	3.0
PRODUCT NO	DIM. L	DIM. T±0.10

mat'l code		tolerance unless otherwise specified		CUSTOMER COPY		 www.fciconnect.com	
rev.	ecn no.	dr	date	linear	±0.30	projection	title
K	T03-0389	w	09/16/03				68POS. EJECTOR HEADER HEADER ASS'Y
L	N04-0030	p	07/21/04				
M	N05-0140	w	05/31/05	angles	± 2'		
		dr	WENDY CHEN 07/11/95			unit	product family
		enrg	L.W. LU 07/11/95			mm/inch	FWGA
		chr	JOSEPH HSIA 07/11/95			size	code
		appd	JENN TSAO 07/11/95			scale	dwg no.
						2:1	A3 61128
sheet index	revision sheet	M	L				
	1	2					sheet 1 of 2

Tous droits strictement réservés. Reproduction ou communication à des tiers sans autorisation écrite du propriétaire. Copyright BERG ELECTRONICS by

All rights strictly reserved. Reproduction or issue to third parties in any form without written authority from the proprietor. Copyright BERG ELECTRONICS by



- 61128- □ □ □
- LF : LEAD FREE
- STAND-OFF
- 00 : 0.0 mm
 - 20 : 2.0 mm
 - 22 : 2.2 mm
 - 30 : 3.0 mm
 - 40 : 4.0 mm
 - 43 : 4.3 mm
 - 50 : 5.0 mm
- UPPER DECK : 5
- LOWER DECK : 0
- TOP MOUNT : 0
- BOTTOM MOUNT : 5

DIM "X"			
PIN NUMBER	4.25±0.1	3.5±0.1	5.0±0.1
OTHERS	36,67	1,17,34	35,51,68

61128-5022/5022LF	2.2	0.6
61128-5543/5543LF	0.0	7.5
61128-5500/5500LF	0.0	10.9
61128-5043/5043LF	4.3	0.6
61128-5050/5050LF	5.0	0.6
PRODUCT NO	DIM. L	DIM. T ±0.10

mat'l code		tolerance unless otherwise specified		CUSTOMER COPY		 www.fciconnect.com	
rev.	ecn no.	dr	date	linear	±0.30	projection	title
L				angles	± 2°		68POS. EJECTOR HEADER HEADER ASS'Y
				dr	WENDY CHEN 10/16/01	unit	product family
				enrg	MINERVA WANG 10/16/01	mm/inch	FWGA
				chr	MINERVA WANG 10/16/01	size	code
				appd	JENN TSAO 10/16/01	scale	61128
sheet	revision					2:1	dwg no.
index	sheet						sheet
							2 of

PDW: Rev:M STATUS Released Printed: Oct 12, 2010