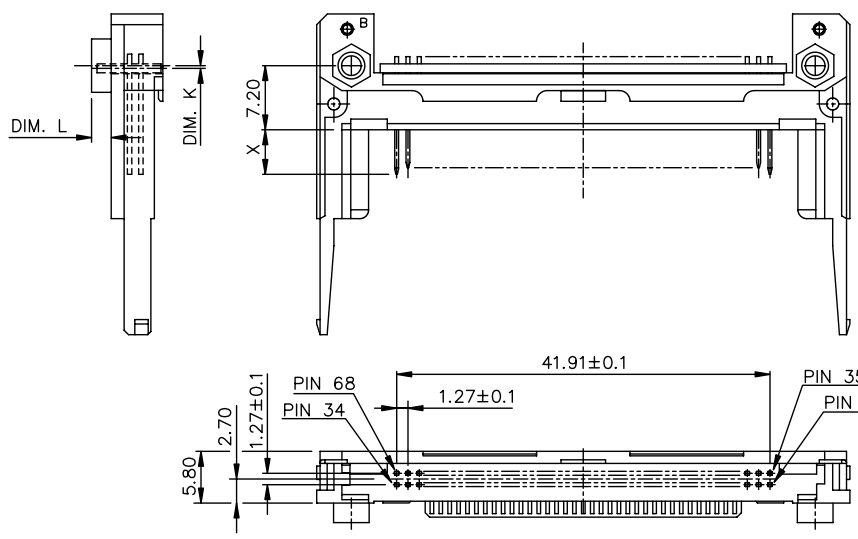


Tous droits strictement réservés. Reproduction ou communication, o des tiers int
 propreté de BERG ELECTRONICS.
 Droits de reproduction BERG ELECTRONICS by

All rights strictly reserved. Reproduction or issue to third parties in any for
 measure is not permitted without written authority from the proprietor.
 Copyright BERG ELECTRONICS by



DIM"X"			
PIN NUMBER	4.25±0.1	3.5±0.1	5.0±0.1
OTHERS	36,67	1,17,34	35,51,68

61127-5022/5022LF	2.2	-0.3
61127-5522/5522LF	0	6.55
61127-5543/5543LF	0	6.55
61127-5550/5550LF	0	6.55
61127-5500/5500LF	0	10.0
61127-5043/5043LF	4.3	-0.3
61127-5050/5050LF	5	-0.3
PRODUCT NO.	DIM.L	DIM.K±0.20

mat'l code		tolerance unless otherwise specified		CUSTOMER COPY		 www.fciconnect.com	
rev. J	ecn no.	dr	date	linear	±0.30	projection	title
				angles	± 2°		68POS. EJECTOR HEADER HEADER ASS'Y
				dr	WENDY CHEN 10/16/01	unit	product family
				enrg	MINERVA WANG 10/16/01	mm/inch	FWGA
				chr	MINERVA WANG 10/16/01	size	dwg no.
				appd	JENN TSAO 10/16/01	scale	61127
sheet index	revision	sheet					code
							sheet 2 of

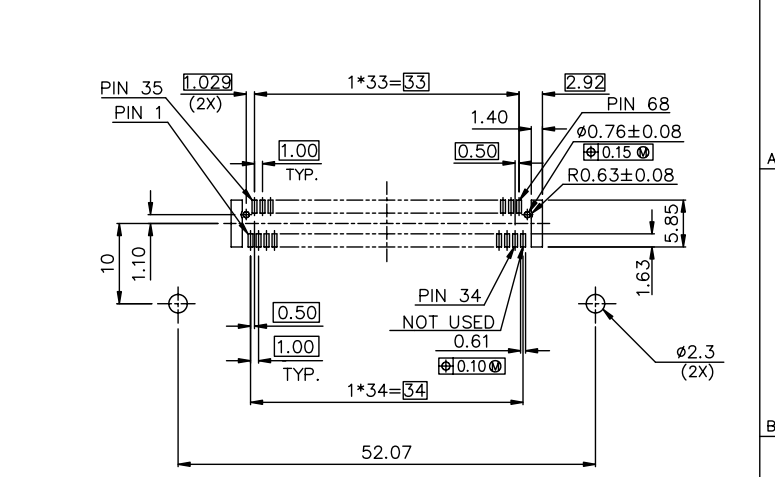
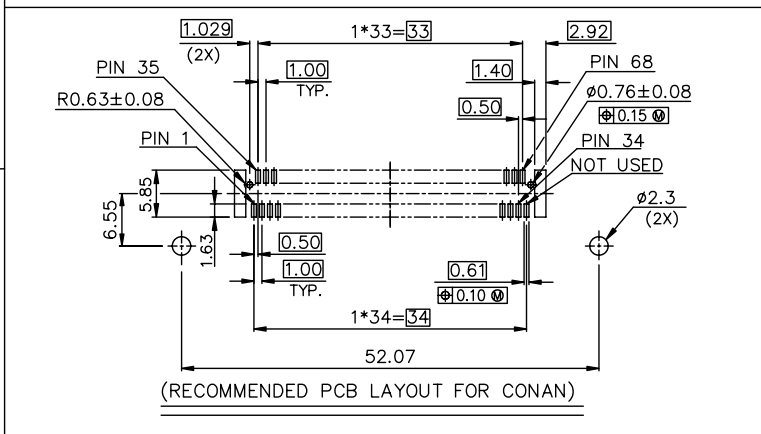
Tous droits strictement réservés. Reproduction ou communication, o des tiers int
 procédé de BERG ELECTRONICS sans autorisation écrite du propriétaire.
 Droits de reproduction BERG ELECTRONICS by

All rights strictly reserved. Reproduction or issue to third parties in any for
 procedure without written authority from the proprietor.
 Copyright BERG ELECTRONICS by

FOR P/N: 61127-0522/0543/0550/0522LF/0543LF/0550LF

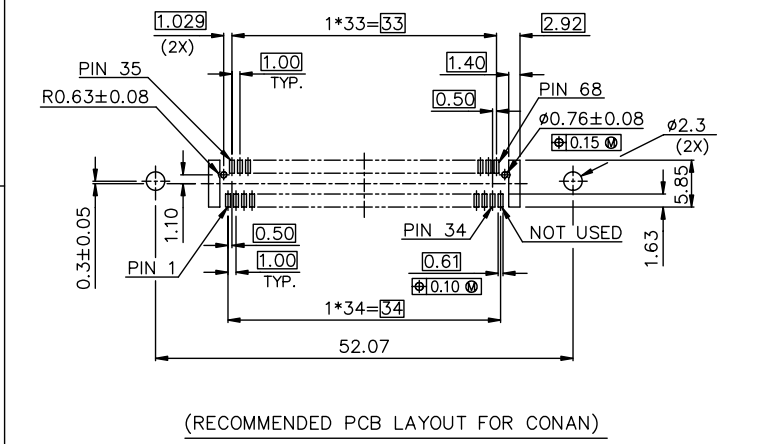
FOR P/N: 61127-0500/0500LF

FOR P/N: 61127-0522C/0543C/0550C/0522CLF/0543CLF/0550CLF



FOR P/N: 61127-0022/0043/0050/0022B/0050N/0022C/0043C/0050C

FOR P/N: 61127-0022LF/0043LF/0050LF/0022BLF/0050NLF/0022CLF/0043C/0050CLF



(RECOMMENDED PCB LAYOUT FOR CONAN)

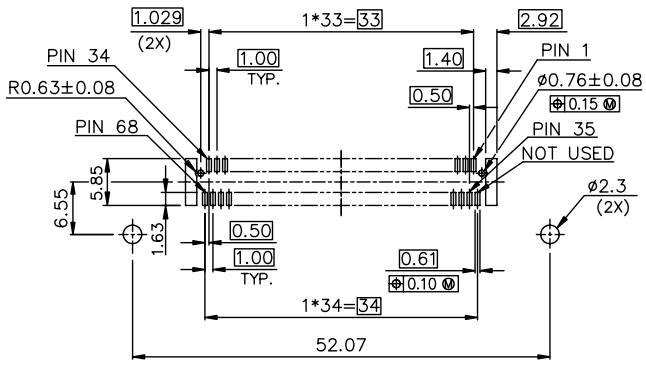
mat'l code				tolerance unless otherwise specified		CUSTOMER COPY		 www.fciconnect.com	
rev. K	ecn no.	dr	date	linear	±0.10	projection	title 68POS. EJECTOR HEADER HEADER ASS'Y		
				angles	± 2°		product family PWSGA code		
				dr	WENDY CHEN 05/02/00	unit	size		code
				enrg	JOSEPH HSIA 05/02/00	mm/inch	61127		sheet 3 of
				chr	JOSEPH HSIA 05/02/00	scale	A3		
				appd	JOSEPH HSIA 05/02/00	2:1			
sheet index	revision sheet								

Tous droits strictement réservés. Reproduction ou communication, o des tiers int
 proceure de BERG ELECTRONICS. sans autorisation écrite du propriétaire.
 Droits de reproduction BERG ELECTRONICS by

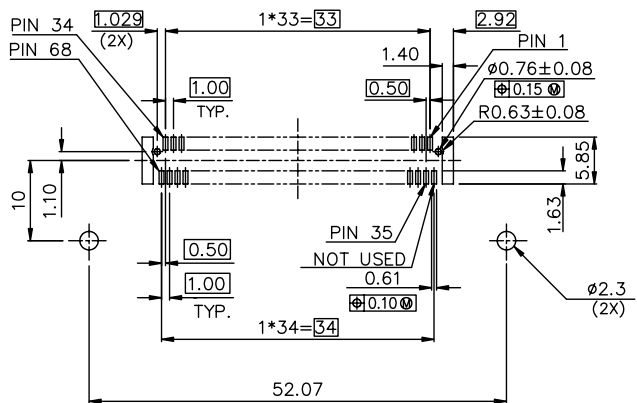
All rights strictly reserved. Reproduction or issue to third parties in any for
 answer is not permitted without written authority from the proprietor.
 Copyright BERG ELECTRONICS by

FOR P/N: 61127-5522/5543/5550/5522LF/5543LF/5550LF

FOR P/N: 61127-5500/5500LF

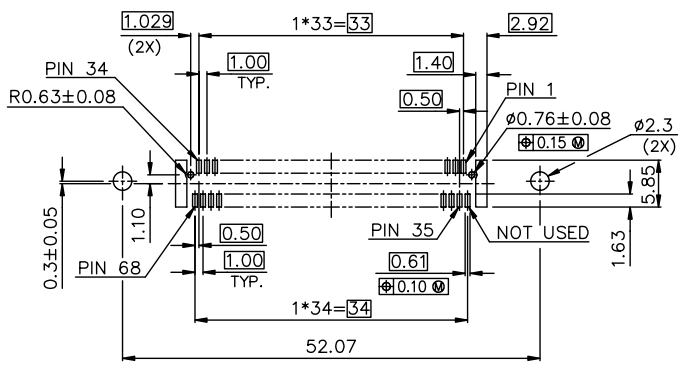


(RECOMMENDED PCB LAYOUT FOR CONAN)



(RECOMMENDED PCB LAYOUT FOR CONAN)

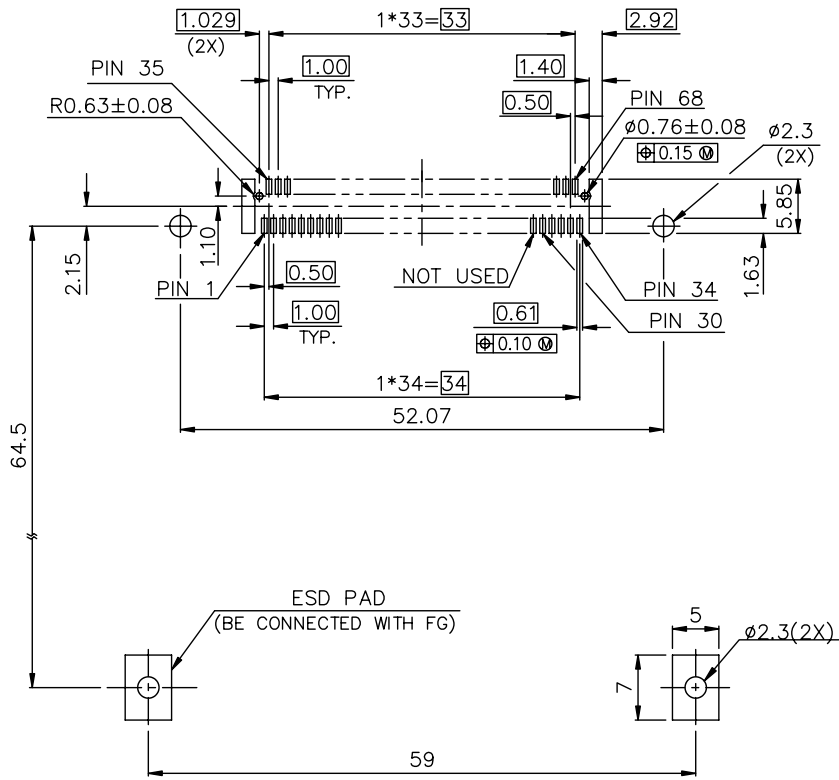
FOR P/N: 61127-5022/5043/5050/5022LF/5043LF/5050LF


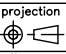


(RECOMMENDED PCB LAYOUT FOR CONAN)

mat'l code		tolerance unless otherwise specified		CUSTOMER COPY		FCI		www.fciconnect.com	
rev.	ecn no.	dr	date	linear	±0.10	projection	title 68POS. EJECTOR HEADER HEADER ASS'Y		
J				angles	± 2°		product family		code
				dr	WENDY CHEN/05/02/00	unit	size		dwg no.
				enrg	JOSEPH HSIA/05/02/00	mm/inch	A3		61127
				chr	JOSEPH HSIA/05/02/00	scale	2:1		sheet 4 of
				appd	JOSEPH HSIA/05/02/00				
sheet index	revision sheet								

FOR P/N: 61127-0022V/0022VLF



mat'l code		tolerance unless otherwise specified		CUSTOMER COPY		 www.fciconnect.com	
rev.	ecn no.	dr	date	linear	±0.1	projection	title
J				angles			68POS. EJECTOR HEADER HEADER ASS'Y
				dr	WENDY CHEN 01/30/02	unit	product family
				engr	MINERVA WANG 01/30/02	mm/inch	PAWA
				chr	MINERVA WANG 01/30/02	scale	code
				appd	JENN TSAO 01/30/02	A3	61127
sheet	revision						size
index	sheet						dwg no.
							61127
							sheet
							5 of

PDM: Rev:K

STATUS Released

Printed: Oct 12, 2010

6

Tous droits strictement réservés. Reproduction ou communication à des tiers sans autorisation écrite du propriétaire.

All rights strictly reserved. Reproduction or issue to third parties in any form without written authority from the proprietor.

Copyright © BERG ELECTRONICS S.A.

