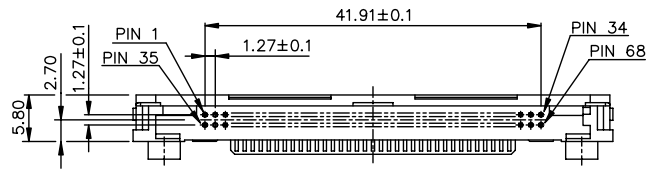
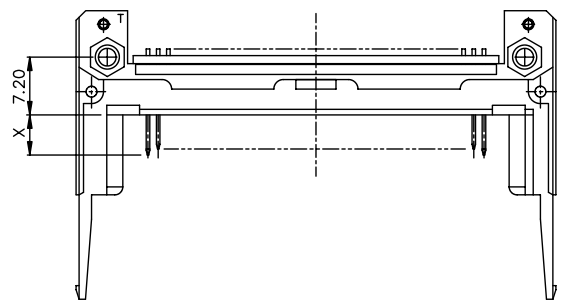
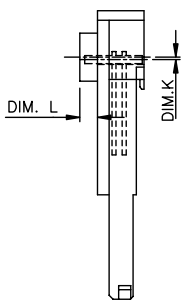


Tous droits strictement réservés. Reproduction ou communication o des tiers int  
 procédé de BERG ELECTRONICS sans autorisation écrite du propriétaire.  
 Droits de reproduction BERG ELECTRONICS by

All rights strictly reserved. Reproduction or issue to third parties in any for  
 procedure without written authority from the proprietor.  
 Copyright BERG ELECTRONICS by



61127- □ □ □ □ □

- LF: LEAD FREE
- B: FOR BOSCH-TELECOM
- N: FOR CANON
- V: FOR VALLEY GREEN
- C: FOR CISCO
- STAND-OFF 00 : 0.0 mm
- 20 : 2.0 mm
- 22 : 2.2 mm
- 30 : 3.0 mm
- 40 : 4.0 mm
- 43 : 4.3 mm
- 50 : 5.0 mm
- UPPER DECK : 5
- LOWER DECK : 0
- TOP MOUNT : 0
- BOTTOM MOUNT : 5

|                     |       |            |
|---------------------|-------|------------|
| 61127-0522C/0522CLF | 0     | 6.55       |
| 61127-0543C/0543CLF | 0     | 6.55       |
| 61127-0550C/0550CLF | 0     | 6.55       |
| 61127-0043C/0043CLF | 4.3   | -0.3       |
| 61127-0050C/0050CLF | 5     | -0.3       |
| 61127-0022C/0022CLF | 2.2   | -0.3       |
| 61127-0022B/0022BLF | 2.2   | -0.3       |
| 61127-0022/0022LF   | 2.2   | -0.3       |
| 61127-0522/0522LF   | 0     | 6.55       |
| 61127-0543/0543LF   | 0     | 6.55       |
| 61127-0550/0550LF   | 0     | 6.55       |
| 61127-0500/0500LF   | 0     | 10.0       |
| 61127-0100/0100LF   | 0     | 2.15       |
| 61127-0050N/0050NLF | 5     | -0.3       |
| 61127-0043/0043LF   | 4.3   | -0.3       |
| 61127-0050/0050LF   | 5     | -0.3       |
| 61127-0022V/0022VLF | 2.2   | 2.15       |
| PRODUCT NO.         | DIM.L | DIM.K±0.20 |

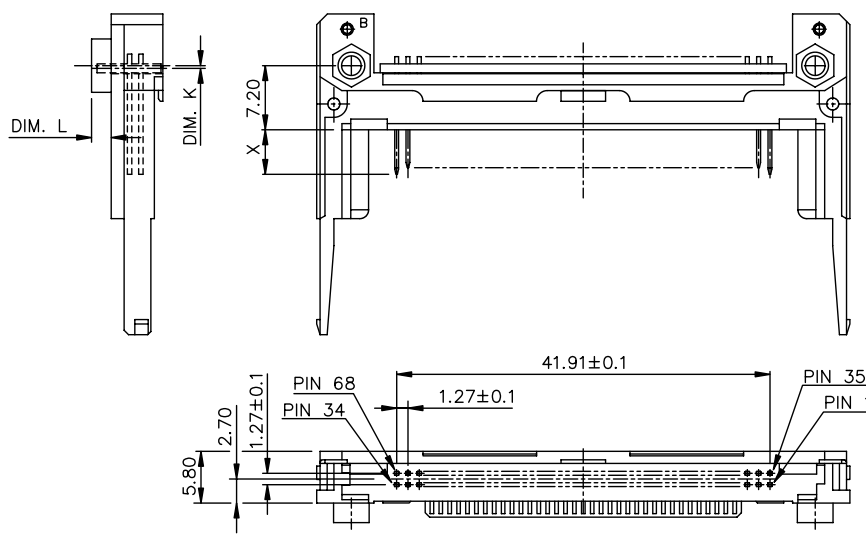
| DIM"x"     |          |         |         |
|------------|----------|---------|---------|
| PIN NUMBER | 4.25±0.1 | 3.5±0.1 | 5.0±0.1 |
|            | OTHERS   | 36,67   | 1,17,34 |

|            |          |                                      |      |               |        |             |   |                    |                |      |
|------------|----------|--------------------------------------|------|---------------|--------|-------------|---|--------------------|----------------|------|
| mat'l code |          | tolerance unless otherwise specified |      | CUSTOMER COPY |        | FCI         |   | www.fciconnect.com |                |      |
| rev.       | ecn no.  | dr                                   | date | linear        | ±0.30  | projection  | title 3.3V EJECTOR HEADER ASS'Y (ABOVE BOARD) |                    |                |      |
| J          | N04-0030 | P                                    | H    | 07/21/04      |        |             |   |                    |                |      |
| K          | N05-0140 | W                                    | B    | 05/31/05      |        |             |   |                    |                |      |
| D          | T00131   | W                                    | L    | 05/02/00      | angles | ± 2°        |   |                    |                |      |
| E          | T10263   | W                                    | L    | 10/16/01      | dr     | WENDY CHEN  | 07/11/95                                      | unit               | product family |      |
| F          | T10321   | W                                    | L    | 11/16/01      | enrg   | L.W. LU     | 07/11/95                                      | mm/inch            | size           |      |
| G          | T20036   | W                                    | L    | 01/30/02      | chr    | JOSEPH HSIA | 07/11/95                                      | scale              | dwg no.        |      |
| H          | T03-0216 | W                                    | L    | 06/09/03      | appd   | JENN TSAO   | 07/11/95                                      | 2:1                | A3             |      |
| sheet      | revision | K                                    | J    | K             | J      | J           |   |                    | 61127          | code |
| index      | sheet    | 1                                    | 2    | 3             | 4      | 5           |   |                    | 1 of 5         |      |

PDM: Rev:K STATUS Released Printed: Oct 12, 2010

Tous droits strictement réservés. Reproduction ou communication, o des tiers int  
 proceur de BERG ELECTRONICS.  
 Droits de reproduction BERG ELECTRONICS by

All rights strictly reserved. Reproduction or issue to third parties in any for  
 measure is not permitted without written authority from the proprietor.  
 Copyright BERG ELECTRONICS by



| DIM "X"    |          |         |          |
|------------|----------|---------|----------|
| PIN NUMBER | 4.25±0.1 | 3.5±0.1 | 5.0±0.1  |
| OTHERS     | 36,67    | 1,17,34 | 35,51,68 |

|                   |       |            |
|-------------------|-------|------------|
| 61127-5022/5022LF | 2.2   | -0.3       |
| 61127-5522/5522LF | 0     | 6.55       |
| 61127-5543/5543LF | 0     | 6.55       |
| 61127-5550/5550LF | 0     | 6.55       |
| 61127-5500/5500LF | 0     | 10.0       |
| 61127-5043/5043LF | 4.3   | -0.3       |
| 61127-5050/5050LF | 5     | -0.3       |
| PRODUCT NO.       | DIM.L | DIM.K±0.20 |

|             |          |                                      |      |               |                       |                        |                                       |
|-------------|----------|--------------------------------------|------|---------------|-----------------------|------------------------|---------------------------------------|
| mat'l code  |          | tolerance unless otherwise specified |      | CUSTOMER COPY |                       | <br>www.fciconnect.com |                                       |
| rev. J      | ecn no.  | dr                                   | date | linear        | ±0.30                 | projection             | title                                 |
|             |          |                                      |      | angles        | ± 2°                  |                        | 68PDS. EJECTOR HEADER<br>HEADER ASS'Y |
|             |          |                                      |      | dr            | WENDY CHEN 10/16/01   | unit                   | product family                        |
|             |          |                                      |      | enrg          | MINERVA WANG 10/16/01 | mm/inch                | FWGMA                                 |
|             |          |                                      |      | chr           | MINERVA WANG 10/16/01 | size                   | dwg no.                               |
|             |          |                                      |      | appd          | JENN TSAO 10/16/01    | scale                  | A3 61127                              |
| sheet index | revision | sheet                                |      |               |                       |                        | code                                  |
|             |          |                                      |      |               |                       |                        | sheet 2 of                            |

PDM: Rev:K STATUS Released Printed: Oct 12, 2010

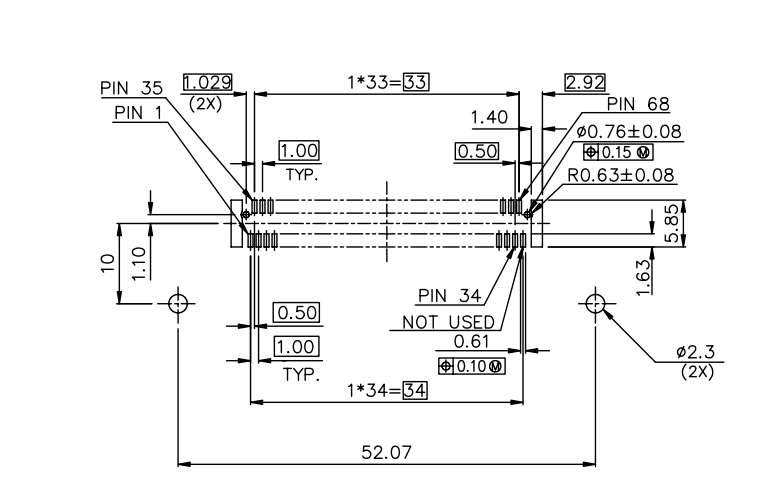
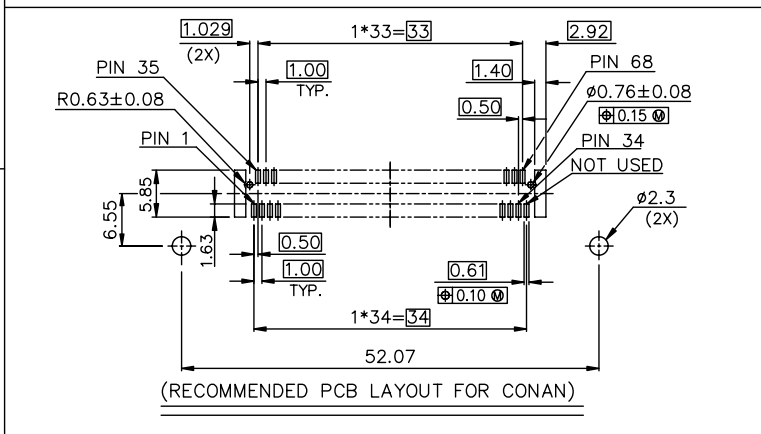
Tous droits strictement réservés. Reproduction ou communication, o des tiers int  
 procédé de BERG ELECTRONICS sans autorisation écrite du propriétaire.  
 Droits de reproduction BERG ELECTRONICS by

All rights strictly reserved. Reproduction or issue to third parties in any for  
 procedure without written authority from the proprietor.  
 Copyright BERG ELECTRONICS by

FOR P/N: 61127-0522/0543/0550/0522LF/0543LF/0550LF

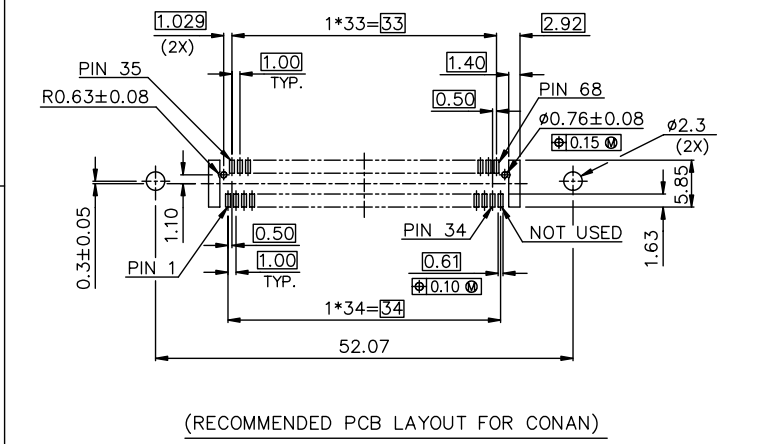
FOR P/N: 61127-0500/0500LF

FOR P/N: 61127-0522C/0543C/0550C/0522CLF/0543CLF/0550CLF



FOR P/N: 61127-0022/0043/0050/0022B/0050N/0022C/0043C/0050C

FOR P/N: 61127-0022LF/0043LF/0050LF/0022BLF/0050NLF/0022CLF/0043C/0050CLF



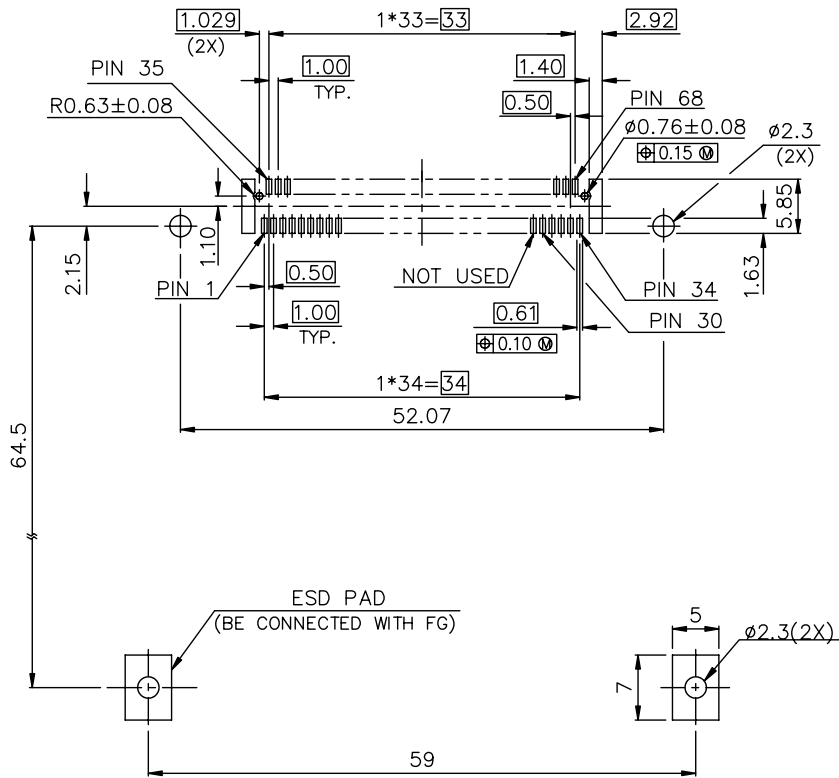
(RECOMMENDED PCB LAYOUT FOR CONAN)

|             |                |                                      |      |               |                      |            |  |                    |            |
|-------------|----------------|--------------------------------------|------|---------------|----------------------|------------|--|--------------------|------------|
| mat'l code  |                | tolerance unless otherwise specified |      | CUSTOMER COPY |                      | FCI        |  | www.fciconnect.com |            |
| rev. K      | ecn no.        | dr                                   | date | linear        | ±0.10                | projection | title 68POS. EJECTOR HEADER HEADER ASS'Y |                    |            |
|             |                |                                      |      | angles        | ± 2°                 |            | product family PWSA code                 |                    |            |
|             |                |                                      |      | dr            | WENDY CHEN 05/02/00  | unit       | size                                     |                    | code       |
|             |                |                                      |      | enrg          | JOSEPH HSIA 05/02/00 | mm/inch    | 61127                                    |                    | sheet 3 of |
|             |                |                                      |      | chr           | JOSEPH HSIA 05/02/00 | scale      | A3                                       |                    |            |
|             |                |                                      |      | appd          | JOSEPH HSIA 05/02/00 | 2:1        |  |                    |            |
| sheet index | revision sheet |                                      |      |               |                      |            |  |                    |            |

PDM: Rev:K STATUS Released Printed: Oct 12, 2010



FOR P/N: 61127-0022V/0022VLF



PDM: Rev:K STATUS Released Printed: Oct 12, 2010

All rights strictly reserved. Reproduction or issue to third parties in any form or by any means, electronic or mechanical, including photocopying, recording, or by any information storage and retrieval system, is prohibited without written authority from the proprietor. Copyright © BERG ELECTRONICS BV.