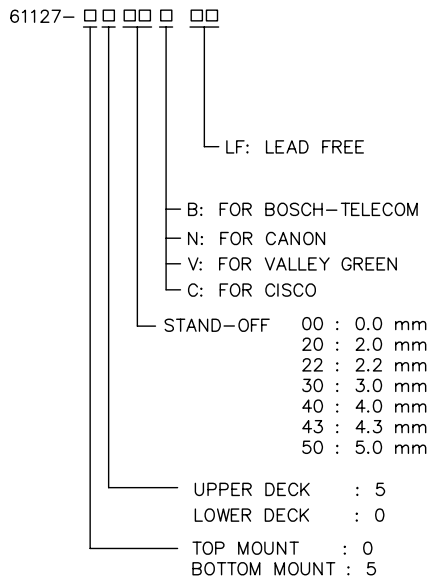
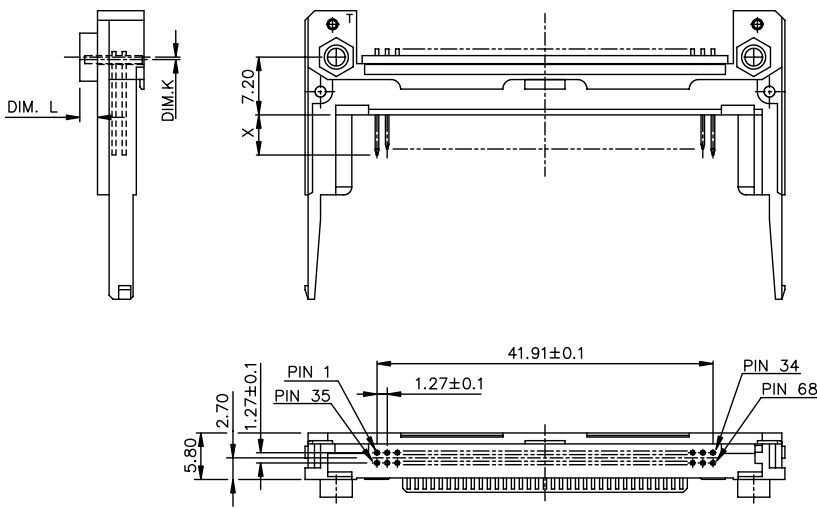


Tous droits strictement réservés. Reproduction ou communication o des tiers int
 autorisé sans autorisation écrite du propriétaire.
 FCI ELECTRONICS
 Droits de reproduction BERG ELECTRONICS by

All rights strictly reserved. Reproduction or issue to third parties in any for
 answer is not permitted without written authority from the proprietor.
 FCI ELECTRONICS
 Copyright BERG ELECTRONICS by



61127-0522C/0522CLF	0	6.55
61127-0543C/0543CLF	0	6.55
61127-0550C/0550CLF	0	6.55
61127-0043C/0043CLF	4.3	-0.3
61127-0050C/0050CLF	5	-0.3
61127-0022C/0022CLF	2.2	-0.3
61127-0022B/0022BLF	2.2	-0.3
61127-0022/0022LF	2.2	-0.3
61127-0522/0522LF	0	6.55
61127-0543/0543LF	0	6.55
61127-0550/0550LF	0	6.55
61127-0500/0500LF	0	10.0
61127-0100/0100LF	0	2.15
61127-0050N/0050NLF	5	-0.3
61127-0043/0043LF	4.3	-0.3
61127-0050/0050LF	5	-0.3
61127-0022V/0022VLF	2.2	2.15
PRODUCT NO.	DIM.L	DIM.K±0.20

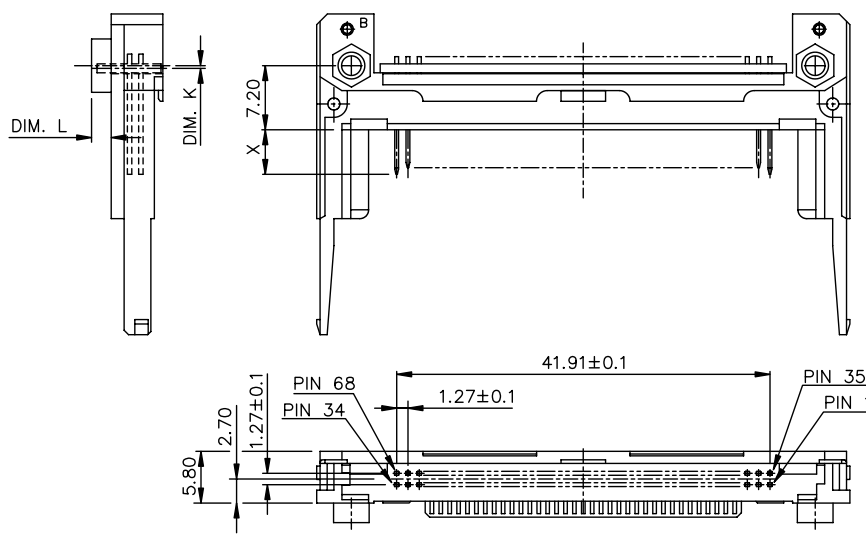
DIM"x"			
PIN NUMBER	4.25±0.1	3.5±0.1	5.0±0.1
	OTHERS	36,67	1,17,34 35,51,68

mat'l code		tolerance unless otherwise specified	CUSTOMER COPY	FCI www.fciconnect.com	
rev.	ecn no.	dr	date	linear	±0.30
J	N04-0030	P	H	07/21/04	
K	N05-0140	W	B	05/31/05	
D	T00131	W	L	05/02/00	angles ± 2°
E	T10263	W	L	10/16/01	dr WENDY CHEN 07/11/95
F	T10321	W	L	11/16/01	enrg L.W. LU 07/11/95
G	T20036	W	L	01/30/02	chr JOSEPH HSIA 07/11/95
H	T03-0216	W	L	06/09/03	appd JENN TSAO 07/11/95
sheet	revision	K	J	K	J
index	sheet	1	2	3	4

PDM: Rev:K STATUS Released Printed: Oct 12, 2010

Tous droits strictement réservés. Reproduction ou communication, o des tiers int
 propreté de BERG ELECTRONICS.
 Droits de reproduction BERG ELECTRONICS by

All rights strictly reserved. Reproduction or issue to third parties in any for
 measure is not permitted without written authority from the proprietor.
 Copyright BERG ELECTRONICS by



DIM "X"			
PIN NUMBER	4.25±0.1	3.5±0.1	5.0±0.1
OTHERS	36,67	1,17,34	35,51,68

61127-5022/5022LF	2.2	-0.3
61127-5522/5522LF	0	6.55
61127-5543/5543LF	0	6.55
61127-5550/5550LF	0	6.55
61127-5500/5500LF	0	10.0
61127-5043/5043LF	4.3	-0.3
61127-5050/5050LF	5	-0.3
PRODUCT NO.	DIM.L	DIM.K±0.20

mat'l code		tolerance unless otherwise specified		CUSTOMER COPY		 www.fciconnect.com	
rev. J	ecn no.	dr	date	linear	±0.30	projection	title
				angles	± 2°		68PDS. EJECTOR HEADER HEADER ASS'Y
				dr	WENDY CHEN 10/16/01	unit	product family
				enrg	MINERVA WANG 10/16/01	mm/inch	FWGA
				chr	MINERVA WANG 10/16/01	size	code
				appd	JENN TSAO 10/16/01	scale	61127
sheet index	revision	sheet				2:1	dwg no.
						A3	sheet 2 of

PDM: Rev:K STATUS Released Printed: Oct 12, 2010

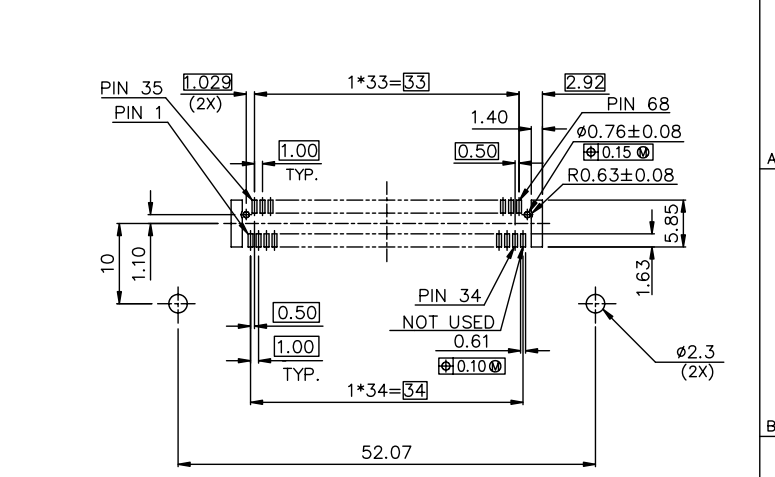
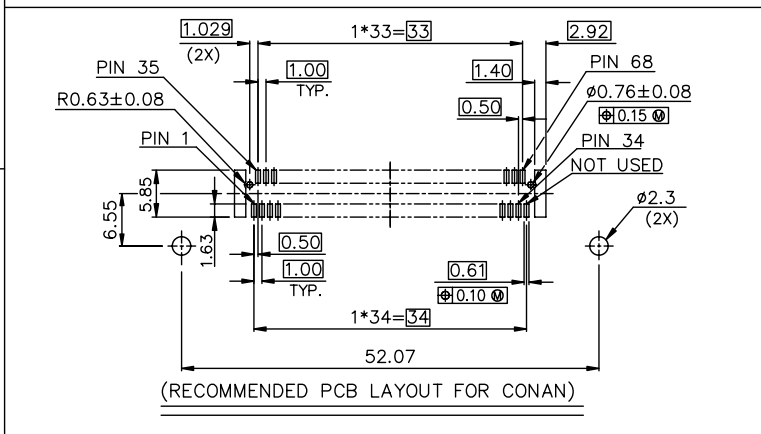
Tous droits strictement réservés. Reproduction ou communication, o des tiers int
 procédé de BERG ELECTRONICS sans autorisation écrite du propriétaire.
 Droits de reproduction BERG ELECTRONICS by

All rights strictly reserved. Reproduction or issue to third parties in any for
 procedure without written authority from the proprietor.
 Copyright BERG ELECTRONICS by

FOR P/N: 61127-0522/0543/0550/0522LF/0543LF/0550LF

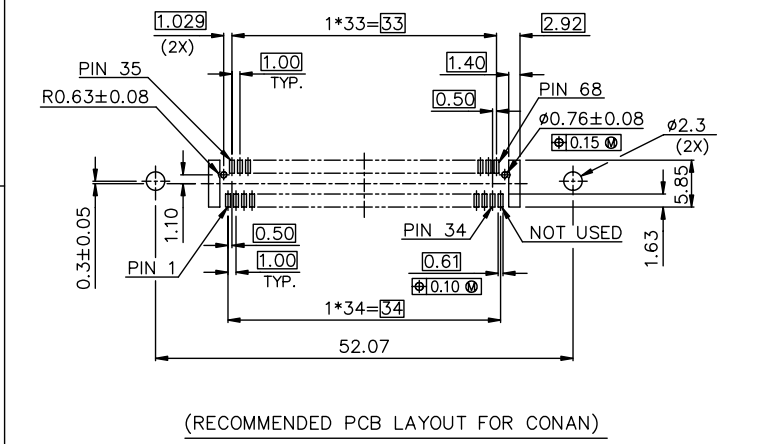
FOR P/N: 61127-0500/0500LF

FOR P/N: 61127-0522C/0543C/0550C/0522CLF/0543CLF/0550CLF



FOR P/N: 61127-0022/0043/0050/0022B/0050N/0022C/0043C/0050C

FOR P/N: 61127-0022LF/0043LF/0050LF/0022BLF/0050NLF/0022CLF/0043C/0050CLF



(RECOMMENDED PCB LAYOUT FOR CONAN)

mat'l code		tolerance unless otherwise specified		CUSTOMER COPY		FCI		www.fciconnect.com	
rev. K	ecn no.	dr	date	linear	±0.10	projection	title 68POS. EJECTOR HEADER HEADER ASS'Y		
				angles	± 2°		product family		code
				dr	WENDY CHEN 05/02/00	unit	size		dwg no.
				enrg	JOSEPH HSIA 05/02/00	mm/inch	scale		61127
				chr	JOSEPH HSIA 05/02/00	2:1	sheet		3 of
				appd	JOSEPH HSIA 05/02/00				
sheet index	revision sheet								

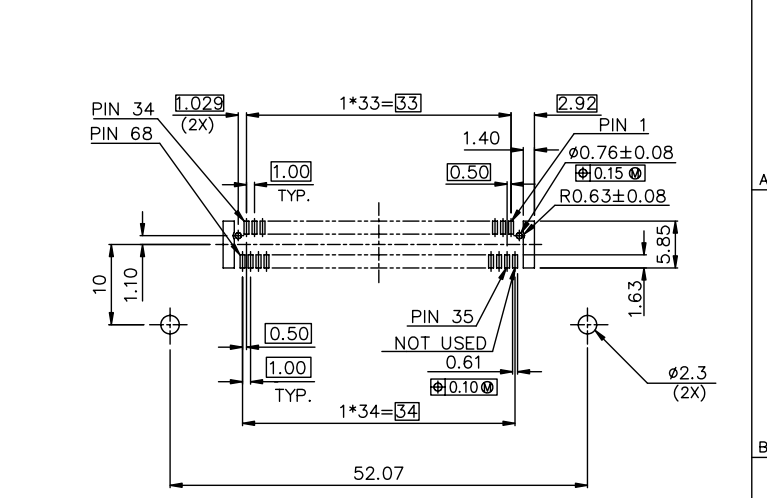
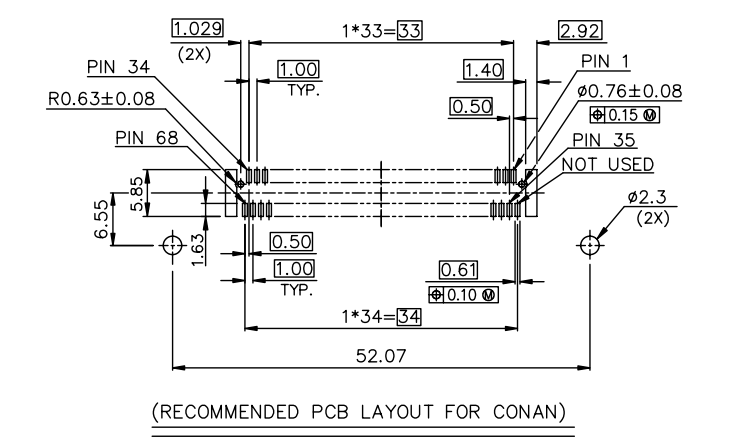
PDM: Rev:K STATUS Released Printed: Oct 12, 2010

Tous droits strictement réservés. Reproduction ou communication, o des tiers int
 proceure de BERG ELECTRONICS. sans autorisation écrite du propriétaire.
 Droits de reproduction BERG ELECTRONICS by

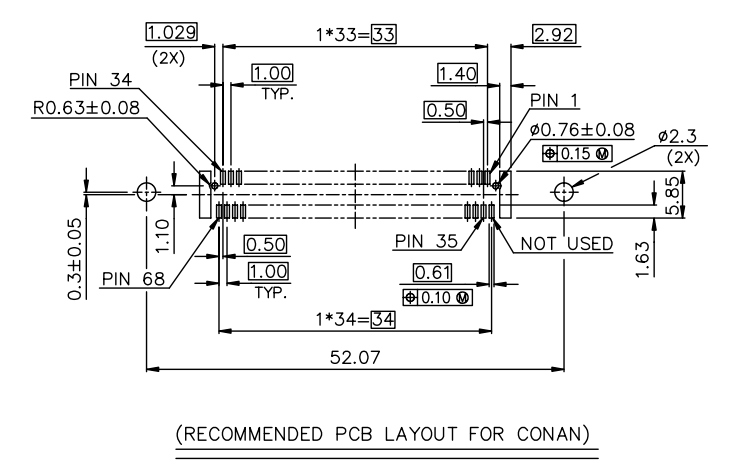
All rights strictly reserved. Reproduction or issue to third parties in any for
 answer is not permitted without written authority from the proprietor.
 Copyright BERG ELECTRONICS by

FOR P/N: 61127-5522/5543/5550/5522LF/5543LF/5550LF

FOR P/N: 61127-5500/5500LF



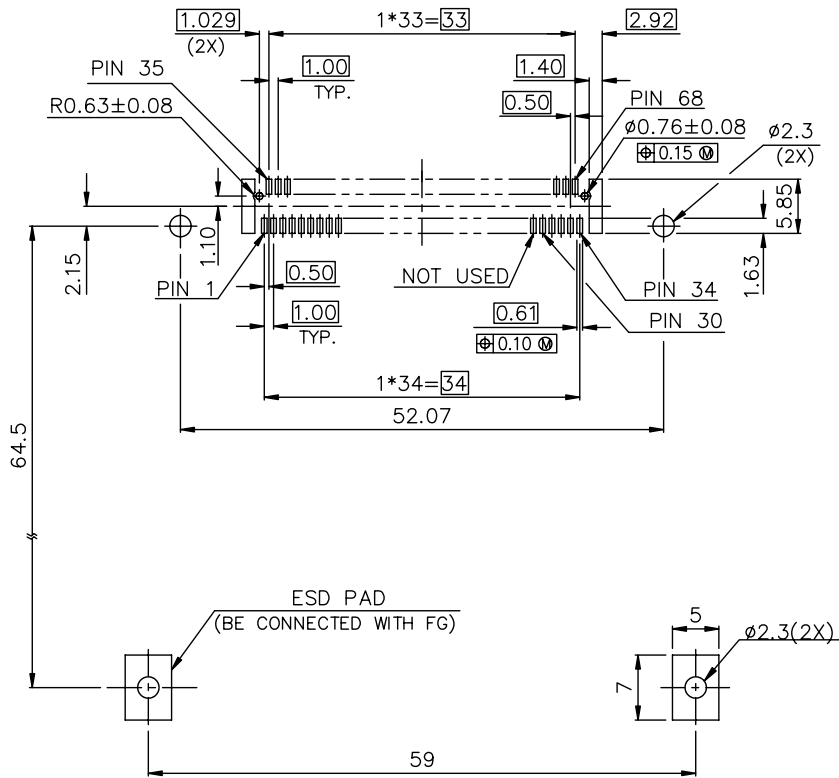
FOR P/N: 61127-5022/5043/5050/5022LF/5043LF/5050LF



mat'l code		tolerance unless otherwise specified		CUSTOMER COPY		FCI		www.fciconnect.com	
rev.	ecn no.	dr	date	linear	±0.10	projection	title 68POS. EJECTOR HEADER HEADER ASS'Y		
J				angles	± 2°		product family PWSGA code		
				dr	WENDY CHEN/05/02/00	unit	size		dwg no.
				enrg	JOSEPH HSIA/05/02/00	mm/inch	A3		61127
				chr	JOSEPH HSIA/05/02/00	scale	2:1		sheet 4 of
				appd	JOSEPH HSIA/05/02/00				
sheet index	revision sheet								

PDM: Rev:K STATUS Released Printed: Oct 12, 2010

FOR P/N: 61127-0022V/0022VLF



mat'l code		tolerance unless otherwise specified		CUSTOMER COPY		FCI		www.fciconnect.com	
rev.	ecn no.	dr	date	linear	±0.1	projection	title 68POS. EJECTOR HEADER HEADER ASS'Y		
J				angles		↑			
				dr	WENDY CHEN 01/30/02	unit	product family		code
				engr	MINERVA WANG 01/30/02	mm/inch	size		dwg no.
				chr	MINERVA WANG 01/30/02	scale	A3		61127
				appd	JENN TSAO 01/30/02				sheet 5 of
sheet index	revision sheet								

PDM: Rev:K STATUS: Released Printed: Oct 12, 2010

All rights strictly reserved. Reproduction or issue to third parties in any form or by any means, electronic or mechanical, including photocopying, recording, or by any information storage and retrieval system, is prohibited without written authority from the proprietor. Copyright © BERG ELECTRONICS BV.