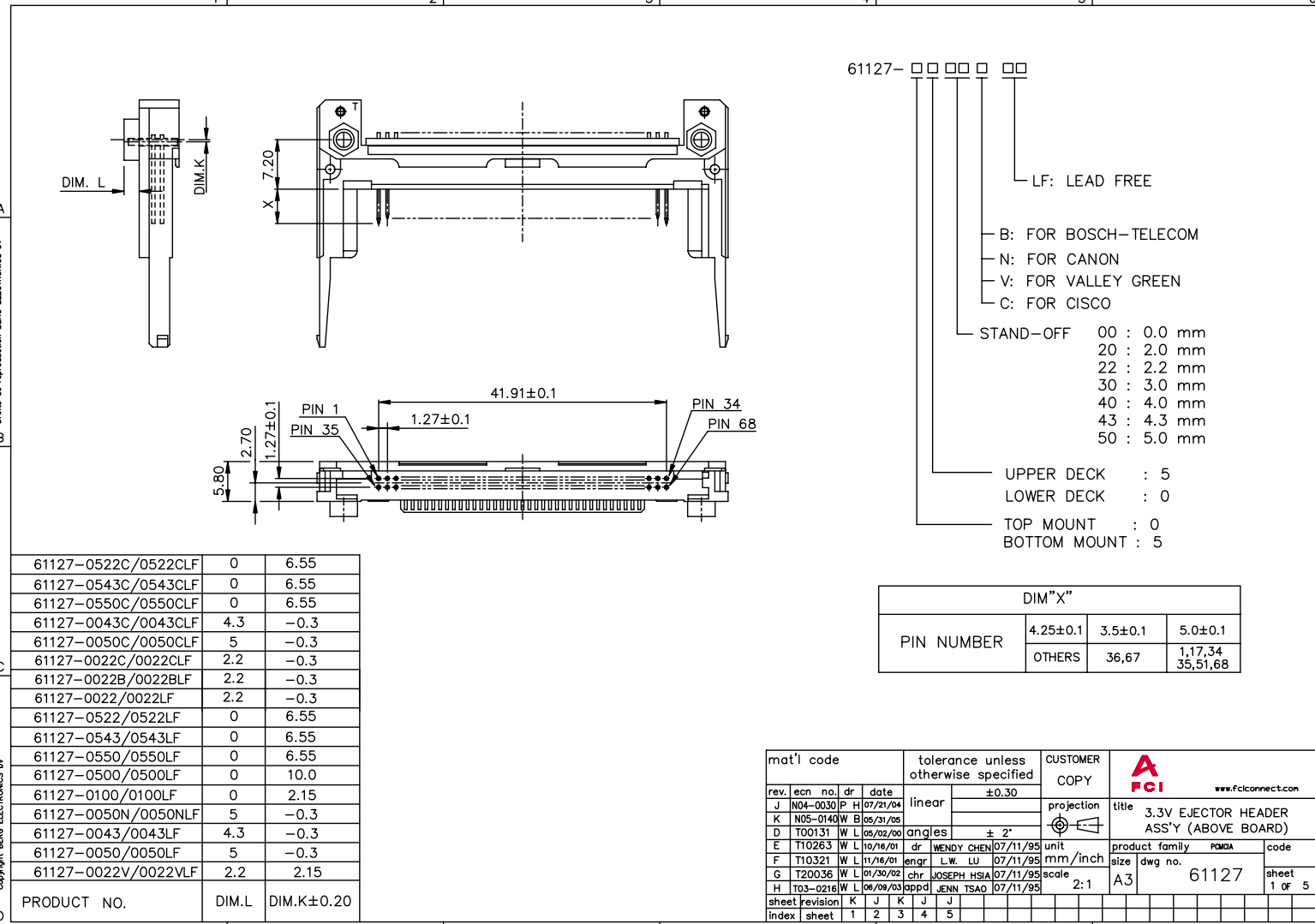


Tous droits strictement réservés. Reproduction ou communication o des tiers int
 procédé de BERG ELECTRONICS sans autorisation écrite du propriétaire.
 Droits de reproduction BERG ELECTRONICS by

All rights strictly reserved. Reproduction or issue to third parties in any for
 procedure without written authority from the proprietor.
 Copyright BERG ELECTRONICS by



- 61127- □ □ □ □ □
- LF: LEAD FREE
- B: FOR BOSCH-TELECOM
 - N: FOR CANON
 - V: FOR VALLEY GREEN
 - C: FOR CISCO
- STAND-OFF 00 : 0.0 mm
 20 : 2.0 mm
 22 : 2.2 mm
 30 : 3.0 mm
 40 : 4.0 mm
 43 : 4.3 mm
 50 : 5.0 mm
- UPPER DECK : 5
 LOWER DECK : 0
 TOP MOUNT : 0
 BOTTOM MOUNT : 5

DIM"x"			
PIN NUMBER	4.25±0.1	3.5±0.1	5.0±0.1
	OTHERS	36,67	1,17,34

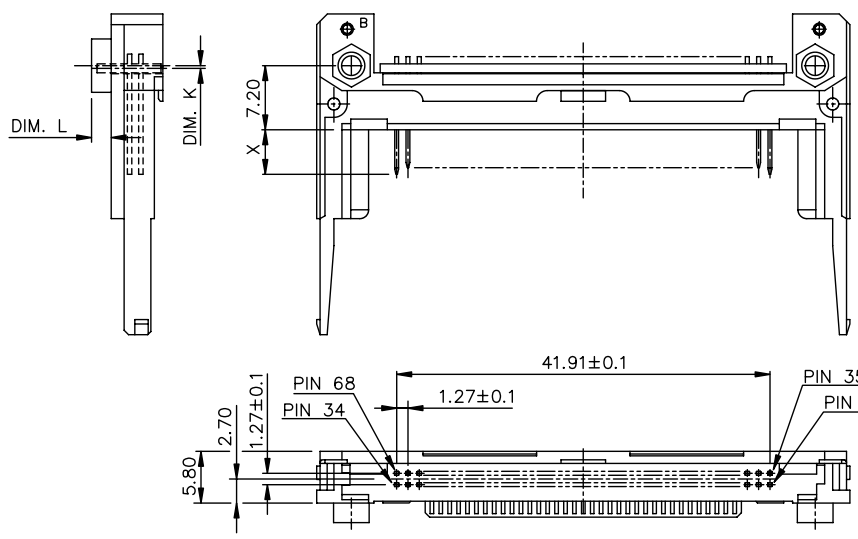
61127-0522C/0522CLF	0	6.55
61127-0543C/0543CLF	0	6.55
61127-0550C/0550CLF	0	6.55
61127-0043C/0043CLF	4.3	-0.3
61127-0050C/0050CLF	5	-0.3
61127-0022C/0022CLF	2.2	-0.3
61127-0022B/0022BLF	2.2	-0.3
61127-0022/0022LF	2.2	-0.3
61127-0522/0522LF	0	6.55
61127-0543/0543LF	0	6.55
61127-0550/0550LF	0	6.55
61127-0500/0500LF	0	10.0
61127-0100/0100LF	0	2.15
61127-0050N/0050NLF	5	-0.3
61127-0043/0043LF	4.3	-0.3
61127-0050/0050LF	5	-0.3
61127-0022V/0022VLF	2.2	2.15
PRODUCT NO.	DIM.L	DIM.K±0.20

mat'l code		tolerance unless otherwise specified		CUSTOMER COPY	FCI	www.fciconnect.com
rev.	ecn no.	dr	date	linear	±0.30	
J	N04-0030	P	H	07/21/04		
K	N05-0140	W	B	05/31/05		
D	T00131	W	L	05/02/00	angles	± 2°
E	T10263	W	L	10/16/01	dr	WENDY CHEN 07/11/95
F	T10321	W	L	11/16/01	enrg	L.W. LU 07/11/95
G	T20036	W	L	01/30/02	chr	JOSEPH HSIA 07/11/95
H	T03-0216	W	L	06/09/03	appd	JENN TSAO 07/11/95
sheet	revision	K	J	K	J	J
index	sheet	1	2	3	4	5

projection	title	product family	code
	3.3V EJECTOR HEADER ASS'Y (ABOVE BOARD)	PWGMA	
size	dwg no.		
A3	61127		
scale	sheet		
2:1	1 OF 5		

Tous droits strictement réservés. Reproduction ou communication, o des tiers int
 propreté de BERG ELECTRONICS.
 Droits de reproduction BERG ELECTRONICS by

All rights strictly reserved. Reproduction or issue to third parties in any for
 measure is not permitted without written authority from the proprietor.
 Copyright BERG ELECTRONICS by



DIM "X"			
PIN NUMBER	4.25±0.1	3.5±0.1	5.0±0.1
OTHERS	36,67	1,17,34	35,51,68

PRODUCT NO.	DIM.L	DIM.K±0.20
61127-5022/5022LF	2.2	-0.3
61127-5522/5522LF	0	6.55
61127-5543/5543LF	0	6.55
61127-5550/5550LF	0	6.55
61127-5500/5500LF	0	10.0
61127-5043/5043LF	4.3	-0.3
61127-5050/5050LF	5	-0.3

mat'l code		tolerance unless otherwise specified		CUSTOMER COPY		 www.fciconnect.com	
rev. J	ecn no.	dr	date	linear	±0.30	projection	title 68PDS. EJECTOR HEADER ASS'Y
				angles	± 2°		product family PDMGA
				dr	WENDY CHEN 10/16/01	unit mm/inch	code
				enrg	MINERVA WANG 10/16/01	size	dwg no. 61127
				chr	MINERVA WANG 10/16/01	scale 2:1	sheet 2 of
				appd	JENN TSAO 10/16/01		
sheet index	revision	sheet					

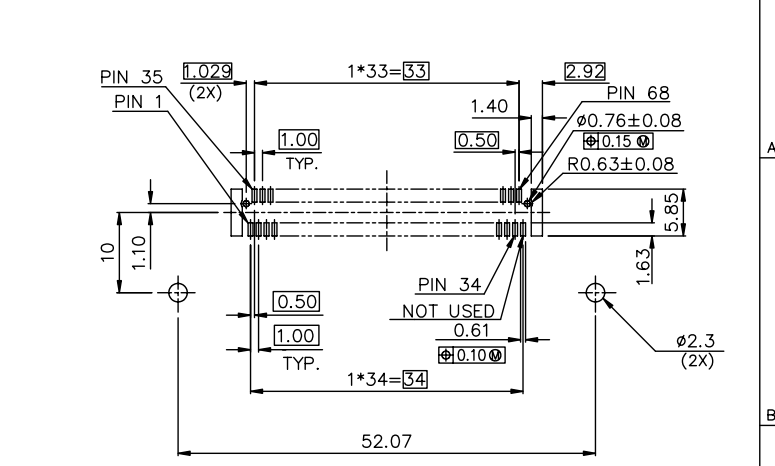
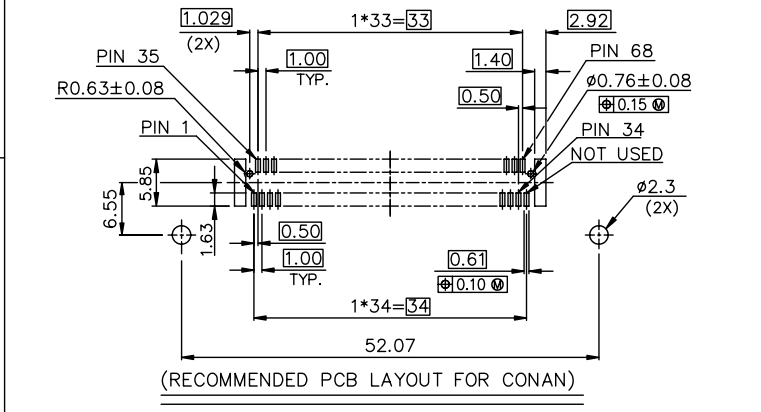
Tous droits strictement réservés. Reproduction ou communication, o des tiers int
 procédé de BERG ELECTRONICS sans autorisation écrite du propriétaire.
 Droits de reproduction BERG ELECTRONICS by

All rights strictly reserved. Reproduction or issue to third parties in any for
 procedure without written authority from the proprietor.
 Copyright BERG ELECTRONICS by

FOR P/N: 61127-0522/0543/0550/0522LF/0543LF/0550LF

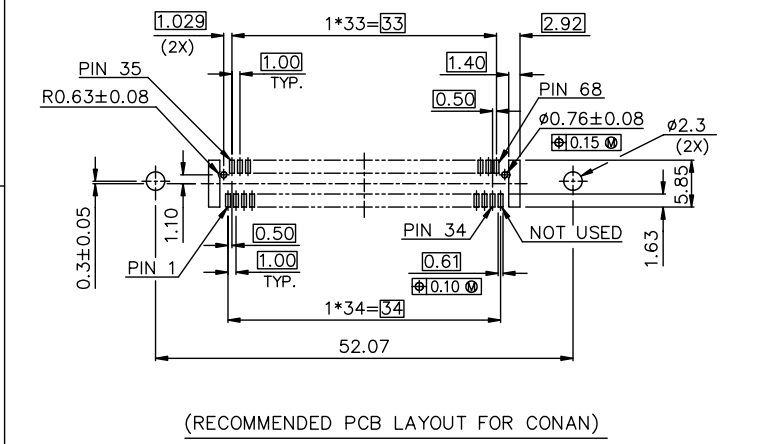
FOR P/N: 61127-0500/0500LF

FOR P/N: 61127-0522C/0543C/0550C/0522CLF/0543CLF/0550CLF



FOR P/N: 61127-0022/0043/0050/0022B/0050N/0022C/0043C/0050C

FOR P/N: 61127-0022LF/0043LF/0050LF/0022BLF/0050NLF/0022CLF/0043C/0050CLF



(RECOMMENDED PCB LAYOUT FOR CONAN)

mat'l code		tolerance unless otherwise specified		CUSTOMER COPY		FCI		www.fciconnect.com	
rev. K	ecm no.	dr	date	linear	±0.10	projection	title 68POS. EJECTOR HEADER HEADER ASS'Y		
				angles	± 2°		product family PWSGA code		
				dr	WENDY CHEN 05/02/00	unit	size		
				enrg	JOSEPH HSIA 05/02/00	mm/inch	dwg no.		
				chr	JOSEPH HSIA 05/02/00	scale	61127		
				appd	JOSEPH HSIA 05/02/00	2:1	sheet 3 of		
sheet index	revision sheet								

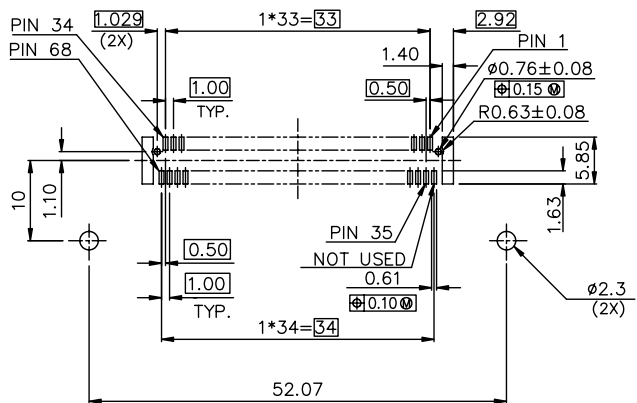
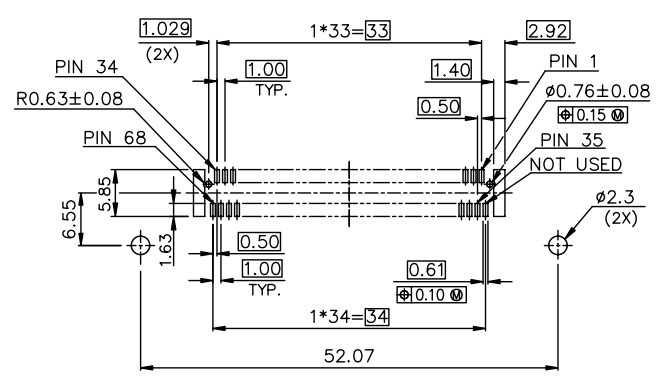
PDM: Rev:K STATUS Released Printed: Oct 12, 2010

Tous droits strictement réservés. Reproduction ou communication, o des tiers int
 proceure de BERG ELECTRONICS. sans autorisation écrite du propriétaire.
 Droits de reproduction BERG ELECTRONICS by

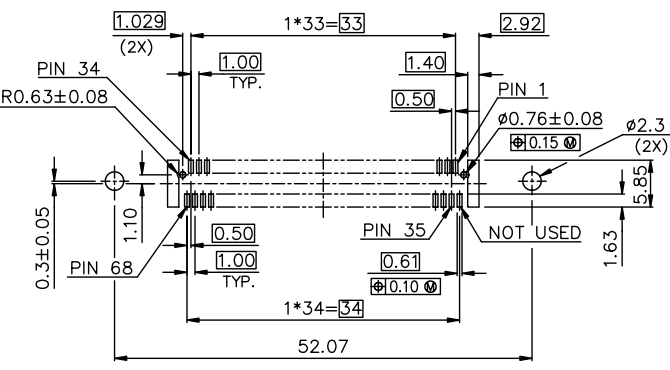
All rights strictly reserved. Reproduction or issue to third parties in any for
 answer is not permitted without written authority from the proprietor.
 Copyright BERG ELECTRONICS by

FOR P/N: 61127-5522/5543/5550/5522LF/5543LF/5550LF

FOR P/N: 61127-5500/5500LF



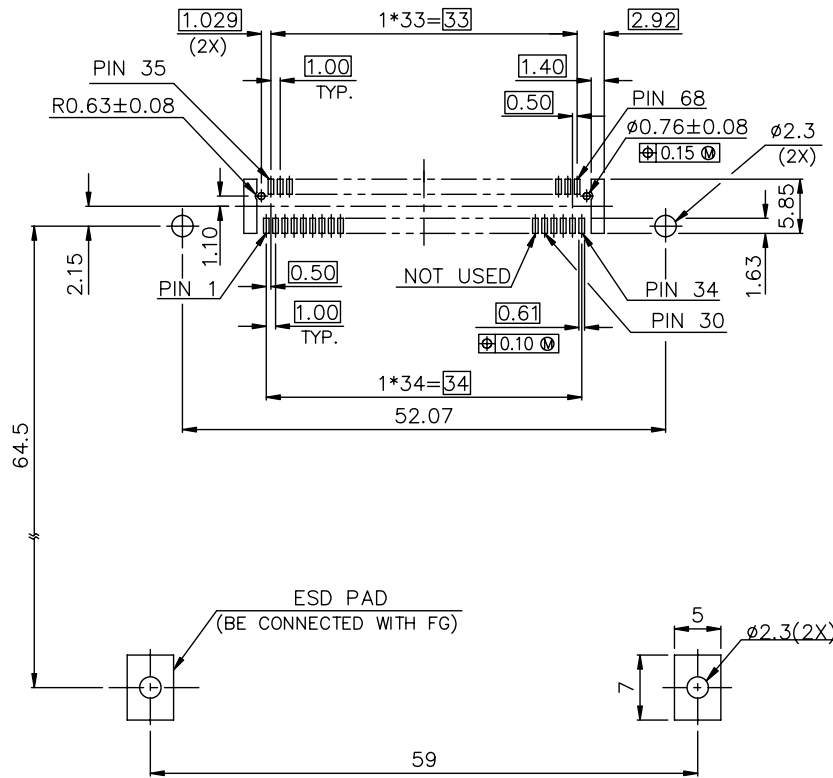
FOR P/N: 61127-5022/5043/5050/5022LF/5043LF/5050LF



(RECOMMENDED PCB LAYOUT FOR CONAN)

mat'l code		tolerance unless otherwise specified		CUSTOMER COPY		FCI		www.fciconnect.com	
rev.	ecn no.	dr.	date	linear	±0.10	projection	title 68POS. EJECTOR HEADER HEADER ASS'Y		
J				angles	± 2°				
				dr	WENDY CHEN 05/02/00	unit	product family	FWG2A	code
				enrg	JOSEPH HSIA 05/02/00	mm/inch	size	dwg no.	sheet
				chr	JOSEPH HSIA 05/02/00	scale	A3	61127	4 of
				appd	JOSEPH HSIA 05/02/00	2:1			
sheet index	revision sheet								

FOR P/N: 61127-0022V/0022VLF



PDM: Rev:K STATUS: Released Printed: Oct 12, 2010

All rights strictly reserved. Reproduction or issue to third parties in any form or by any means, electronic or mechanical, including photocopying, recording, or by any information storage and retrieval system, is prohibited without written authority from the proprietor. Copyright © BERG ELECTRONICS BV.