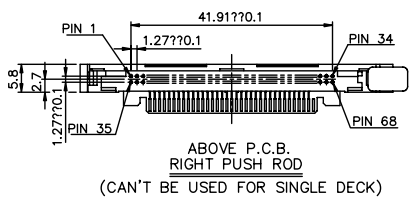
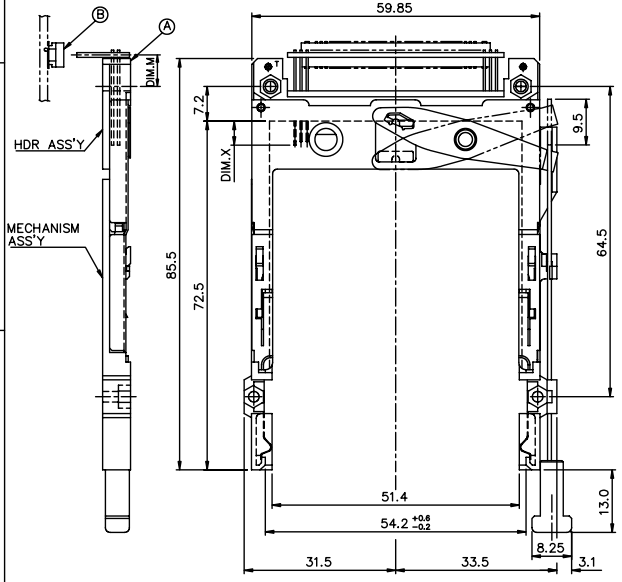


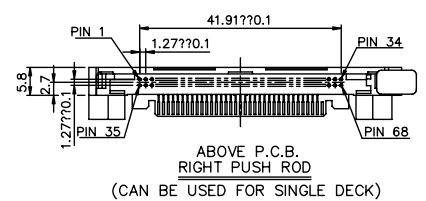
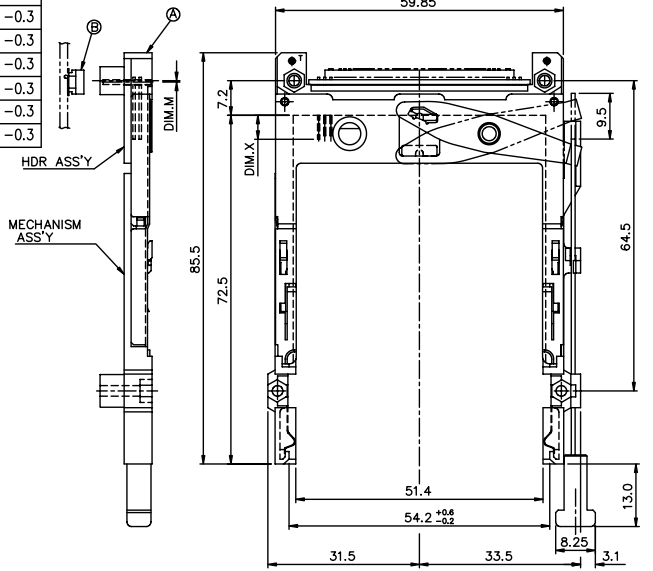
Tous droits strictement réservés. Reproduction ou communication à des tiers sans autorisation écrite du propriétaire. FCI ELECTRONICS INC. Droits de reproduction BERG ELECTRONICS bv

All rights strictly reserved. Reproduction or issue to third parties in any form without written authority from the proprietor. FCI ELECTRONICS INC. Copyright BERG ELECTRONICS bv

| PRODUCT NO. | DIM.M |
|-----------------------|-------|
| 61125-005CA/005CALF | 10.0 |
| 61125-025CA/025CALF | 6.55 |
| 61125-045CA/045CALF | 6.55 |
| 61125-055CA/055CALF | 6.55 |
| 61125-025CAC/025CACLF | 6.55 |
| 61125-045CAC/045CACLF | 6.55 |
| 61125-055CAC/055CACLF | 6.55 |



| PRODUCT NO. | DIM.M |
|-----------------------|-------|
| 61125-020CA/020CALF | -0.3 |
| 61125-220CA/220CALF | 2.15 |
| 61125-040CA/040CALF | -0.3 |
| 61125-050CA/050CALF | -0.3 |
| 61125-050CAN/050CANLF | -0.3 |
| 61125-020CAC/020CACLF | -0.3 |
| 61125-040CAC/040CACLF | -0.3 |
| 61125-050CAC/050CACLF | -0.3 |



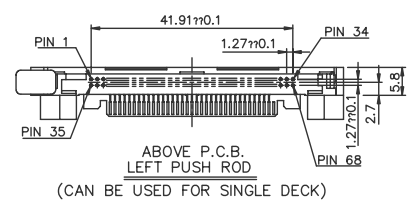
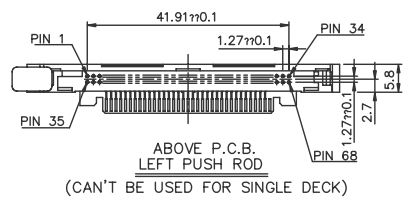
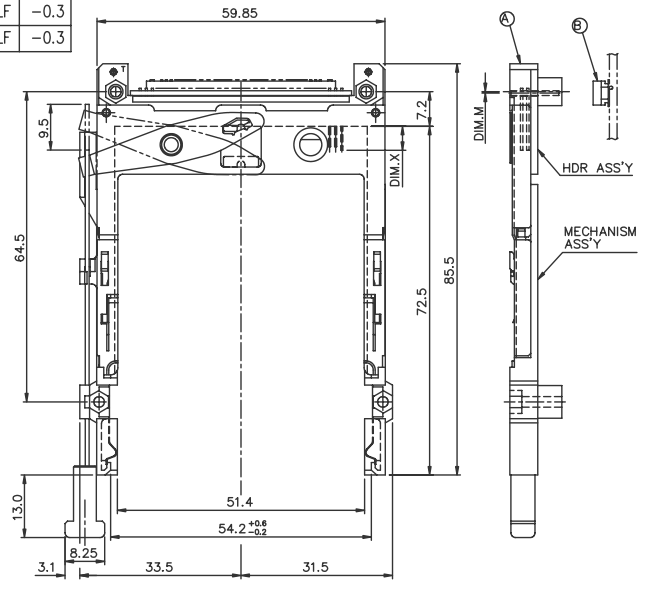
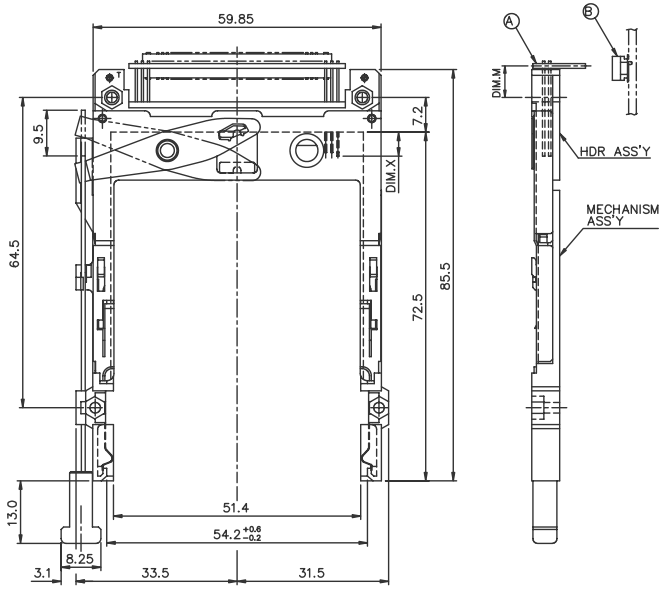
| mat'l code | | tolerance unless otherwise specified | | CUSTOMER COPY | | FCI | | www.fciconnect.com | |
|------------|----------|--------------------------------------|----------|---------------|-------------|------------|----------------------|-----------------------|---------|
| rev. | ecm no. | dr | date | linear | ±0.30 | projection | title | EJECTOR HEADER ASS'Y | |
| J | N05-0063 | w | 03/04/05 | | | | 3.3V, SMT TYPE 1/2/3 | product family PCMCIA | |
| K | N05-0140 | w | 05/31/05 | angles | ± 2° | | | code | |
| D | T10132 | w | 05/11/01 | | | | | size | dwg no. |
| E | T10162 | w | 06/14/01 | | | | | scale | 61125 |
| F | T20036 | w | 01/30/02 | engr | JOSEPH HSIA | 07/11/95 | unit | sheet 1 of 6 | |
| G | T20234 | w | 07/25/02 | chr | JOSEPH HSIA | 07/11/95 | mm/inch | | |
| H | T03-0216 | w | 06/09/03 | appd | JENN TSAO | 07/11/95 | 1:2:1 | | |
| sheet | revision | K | J | J | J | K | J | | |
| index | sheet | 1 | 2 | 3 | 4 | 5 | 6 | | |

Tous droits strictement réservés. Reproduction ou communication à des tiers sans autorisation écrite du propriétaire.
 All rights strictly reserved. Reproduction or issue to third parties in any form without written authority from the proprietor.
 Copyright BERG ELECTRONICS bv

All rights strictly reserved. Reproduction or issue to third parties in any form without written authority from the proprietor.
 Copyright BERG ELECTRONICS bv

| PRODUCT NO. | DIM.M |
|---------------------|-------|
| 61125-105CA/105CALF | 10.0 |
| 61125-125CA/125CALF | 6.55 |
| 61125-145CA/145CALF | 6.55 |
| 61125-155CA/155CALF | 6.55 |

| PRODUCT NO. | DIM.M |
|---------------------|-------|
| 61125-120CA/120CALF | -0.3 |
| 61125-140CA/140CALF | -0.3 |
| 61125-150CA/150CALF | -0.3 |



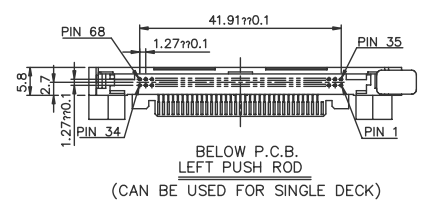
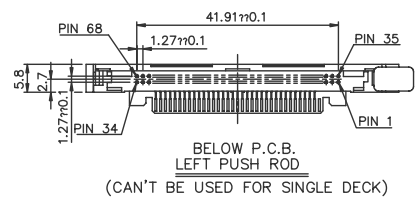
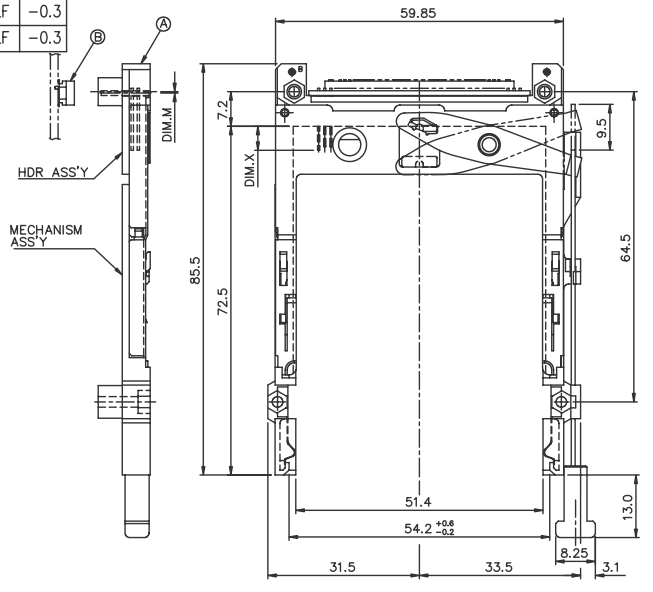
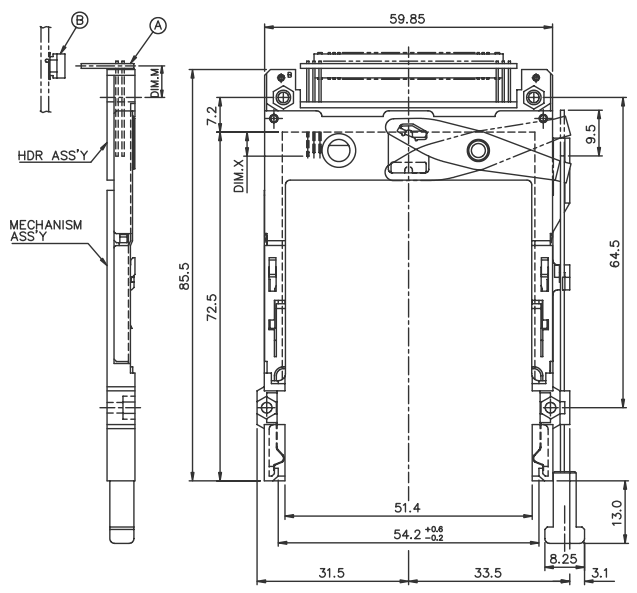
| | | | | | | | |
|-------------|----------------|--------------------------------------|------|------------------|----------|------------------------|----------------------|
| mat'l code | | tolerance unless otherwise specified | | CUSTOMER COPY | | www.fciconnect.com | |
| rev. J | ecm no. | dr | date | linear | ± 0.30 | projection | title |
| | | | | angles | ± 2° | | EJECTOR HEADER ASS'Y |
| | | | | dr WENDY CHEN | 07/11/95 | unit | 3.3V, SMT TYPE 1/2/3 |
| | | | | enrg JOSEPH HSIA | 07/11/95 | product family | 3.3V, SMT TYPE 1/2/3 |
| | | | | chr JOSEPH HSIA | 07/11/95 | size | dwg no. |
| | | | | appd JENN TSAO | 07/11/95 | scale | 61125 |
| sheet index | revision sheet | | | | | 1:2.1 | code |
| | | | | | | | sheet 2 of |

Tous droits strictement réservés. Reproduction ou communication à des tiers sans autorisation écrite du propriétaire. FCI ELECTRONICS INC. Droits de reproduction BERG ELECTRONICS bv

All rights strictly reserved. Reproduction or issue to third parties in any form without written authority from the proprietor. FCI ELECTRONICS INC. Copyright BERG ELECTRONICS bv

| PRODUCT NO. | DIM.M |
|---------------------|-------|
| 61125-605CA/650CALF | 10.0 |
| 61125-625CA/625CALF | 6.55 |
| 61125-645CA/645CALF | 6.55 |
| 61125-655CA/655CALF | 6.55 |

| PRODUCT NO. | DIM.M |
|---------------------|-------|
| 61125-620CA/620CALF | -0.3 |
| 61125-640CA/640CALF | -0.3 |
| 61125-650CA/650CALF | -0.3 |



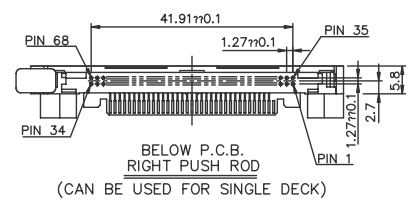
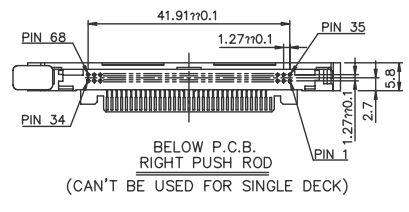
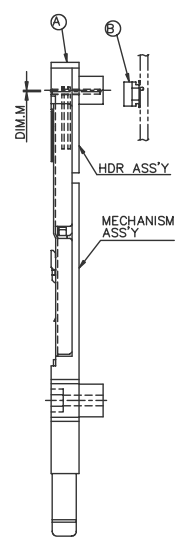
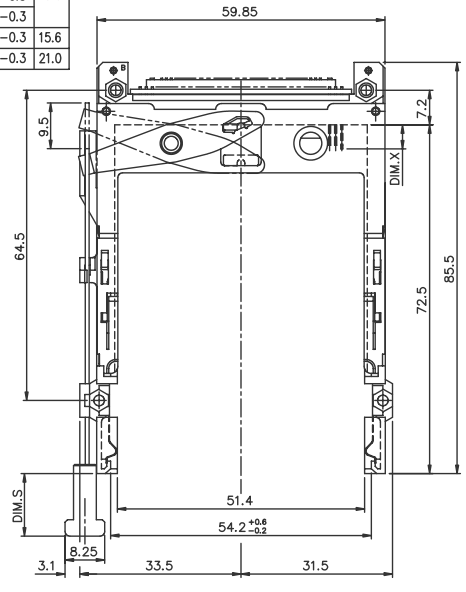
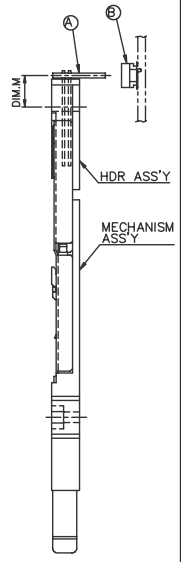
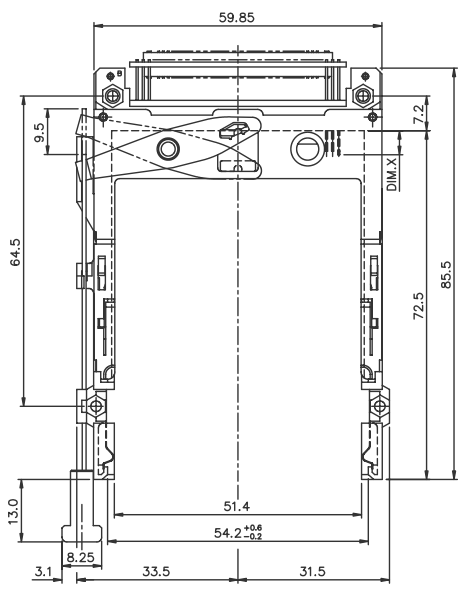
| | | | | | | | | | |
|------------|----------|-----|----|--------------------------------------|--------|----------------------|------------|------------------------|--|
| mat'l code | | | | tolerance unless otherwise specified | | CUSTOMER COPY | | www.fciconnect.com | |
| rev. | ecn | no. | dr | date | linear | ±0.30 | projection | title | |
| J | | | | | angles | ± 2° | | EJECTOR HEADER ASS'Y | |
| | | | | | dr | WENDY CHEN 07/11/95 | unit | 3.3V, SMT TYPE 1/2/3 | |
| | | | | | enrg | JOSEPH HSIA 07/11/95 | mm/inch | product family | |
| | | | | | chr | JOSEPH HSIA 07/11/95 | scale | 61125 | |
| | | | | | appd | JENN TSAO 07/11/95 | 1:2:1 | 3 of | |
| sheet | revision | | | | | | | | |
| index | sheet | | | | | | | | |

Tous droits strictement réservés. Reproduction ou communication à des tiers int.
 without written authority from the proprietor.
 FCI ELECTRONICS
 Droits de reproduction BERG ELECTRONICS by

All rights strictly reserved. Reproduction or issue to third parties in any form
 without written authority from the proprietor.
 FCI ELECTRONICS
 Copyright BERG ELECTRONICS by

| PRODUCT NO. | DIM.M |
|---------------------|-------|
| 61125-505CA/505CALF | 10.0 |
| 61125-525CA/525CALF | 6.55 |
| 61125-545CA/545CALF | 6.55 |
| 61125-555CA/555CALF | 6.55 |

| PRODUCT NO. | DIM.M | DIM.S |
|---------------------|-------|-------|
| 61125-520CA/520CALF | -0.3 | |
| 61125-540CA/540CALF | -0.3 | 13.0 |
| 61125-550CA/550CALF | -0.3 | |
| 61125-520DA/520DALF | -0.3 | 15.6 |
| 61125-520FA/520FALF | -0.3 | 21.0 |



| | | | |
|-------------|--------------------------------------|----------------|------------------------|
| mat'l code | tolerance unless otherwise specified | CUSTOMER COPY | www.fciconnect.com |
| rev. J | linear ±0.30 | projection | |
| ecn no. | angles ± 2° | title | EJECTOR HEADER ASS'Y |
| dr | dr WENDY CHEN 07/11/95 | unit | 3.3V, SMT TYPE 1/2/3 |
| engr | engr JOSEPH HSIA 07/11/95 | product family | PCMCA |
| chr | chr JOSEPH HSIA 07/11/95 | size | dwg no. 61125 |
| appd | appd JENN TSAO 07/11/95 | scale | 1:2.1 |
| sheet index | revision sheet | code | sheet 4 of |

PDM: Rev:K STATUS Released Printed: Oct 12, 2010

Tous droits strictement réservés. Reproduction ou communication a des tiers int. sans autorisation écrite du propriétaire. FCI ELECTRONICS. Droits de reproduction BERG ELECTRONICS by

All rights strictly reserved. Reproduction or issue to third parties in any form without the prior written authority from the proprietor. FCI ELECTRONICS. Copyright BERG ELECTRONICS by


DESCRIPTION : ABOVE PCB, DECK AND PUSH ROD LOCATION ARE AS VIEW BY USER.

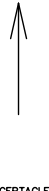

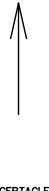

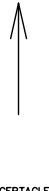

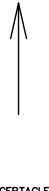

- NOTES:
1. 8mm MIN. CARD EJECT.
 2. EJECT TRAVEL: 9.5mm
 3. PUSH ROD LOCATION AND P.C.B. SIDE ARE AS APPEARS INSTALLED.
 4. MATERIAL
 - 4.1 HEADER ASS'Y:
PLASTIC : HOUSING ...LCP UL94V-0 BLACK
PIN : PHOSPHOR BRONZE
PCB : FR4
 - 4.2 EJECT MECHANISM ASS'Y:
PLASTIC : GUIDE: POLYPHTHARAMID UL94V-0 BLACK
 : BUTTON: POLYPHTHARAMID UL94V-0 BLACK
PLATE AND PUSH ROD : STAINLESS
EMI CONTACT: PHOSPHOR BRONZE
 5. FINISH (PIN)
UNDER PLATING : 0.5µm MIN. Ni
CONTACT AREA : 0.1µm MIN. GOLD OVER
 : 0.5µm MIN. Pd-Ni
SOLDER TAIL (FOR TIN LEAD OPTION) : 2.5µm MIN. Sn-Pb
SOLDER TAIL (FOR LEAD FREE OPTION) : 2.5µm MIN. PURE TIN
 6. DIM "X"

| | | |
|----------|---------|------------------|
| 4.25±0.1 | 3.5±0.1 | 5.0±0.1 |
| OTHERS | 36,67 | 1,17,34,35,51,68 |


7. FOR P/N: 61125-050CAN AND 61125-050CANLF:
 - a. TIGHTENING TORQUE OF SCREW: 1.5 ~ 2.0 Kgf-cm
 - b. LUBRICANT SHOULD BE SPREAD TO MATING AREA OF PINS.
8. IF LEAD FREE P.N. THE HOUSING WILL WITHSTAND EXPOSURE TO 260°C PEAK TEMPERATURE FOR 10 SECONDS IN A WAVE SOLDER APPLICATION WITH A 1.00MM MINIMUM THICK CIRCUIT BOARD.
9. IF LEAD FREE P.N. THE PRODUCT MEETS EUROPEAN UNION DIRECTIVES AND OTHER COUNTRY REGULATIONS AS DISCRIBED IN GS-22-008
10. LEAD FREE P/N PACKAGING MEETS GS-14-920 SPECIFICATION
11. PART NUMBER 61125-****CAC, -****CACLF IS FOR CISCO

| ORDERING INFORMATION | | | |
|------------------------|-------------|---------------|------|
| NAME | PART NO. | PART NO. | Q'TY |
| (A) EJECT HEADER ASS'Y | 61125-**** | 61125-****LF | 1 |
| (B) MATING RECEPTACLE | 91931-31169 | 91931-31169LF | 1 |

| LOWER DECK | | | | | |
|-----------------------|-----------------------|-------------------|-------------|--------------------------|---|
| (A) PRODUCT NO. | STAND-OFF HIGH DIM. L | PUSH ROD LOCATION | P.C.B. SIDE | P.C.B LAYOUT RECOMMENDED | (B) MATING RECEPTACLE |
| 61125-020CA/020CALF | 2.2 | RIGHT | ABOVE | P/N: TA-1056 |  RECEPTACLE PART NUMBER: 91931-31169LF |
| 61125-220CA/220CALF | 2.2 | RIGHT | ABOVE | SEE PAGE 6 | |
| 61125-040CA/040CALF | 4.3 | RIGHT | ABOVE | SEE DRAWING P/N: TA-1056 | |
| 61125-050CA/050CALF | 5.0 | | | | |
| 61125-050CAN/050CANLF | 5.0 | | | | |
| 61125-020CAC/020CACLF | 2.2 | | | | |
| 61125-040CAC/040CACLF | 4.3 | LEFT | ABOVE | SEE DRAWING P/N: TA-1056 | |
| 61125-050CAC/050CACLF | 5.0 | | | | |
| 61125-120CA/120CALF | 2.2 | | | | |
| 61125-140CA/140CALF | 4.3 | | | | |
| 61125-150CA/150CALF | 5.0 | RIGHT | BELOW | SEE DRAWING P/N: TA-1056 | |
| 61125-520CA/520CALF | 2.2 | | | | |
| 61125-520FA/520FALF | 2.2 | | | | |
| 61125-520DA/520DALF | 2.2 | | | | |
| 61125-540CA/540CALF | 4.3 | LEFT | BELOW | SEE DRAWING P/N: TA-1056 | |
| 61125-550CA/550CALF | 5.0 | | | | |
| 61125-620CA/620CALF | 2.2 | | | | |
| 61125-640CA/640CALF | 4.3 | | | | |
| 61125-650CA/650CALF | 5.0 | | | | |

| UPPER DECK | | | | | | | | | |
|-----------------------|--|-------------------|-------------|---|---|---|---|---|--|
| (A) PRODUCT NO. | JOINT WITH LOWER DECK STAND-OFF HIGH(DIM. L) | PUSH ROD LOCATION | P.C.B. SIDE | (B) MATING RECEPTACLE | MOUNT STYLE TO PCB AND PUSH ROD SIDE | | | | |
| 61125-005CA/005CALF | 0.0 | RIGHT | ABOVE |  RECEPTACLE PART NUMBER: 91931-31169LF |  | | | | |
| 61125-025CA/025CALF | 2.2 | | | | | | | | |
| 61125-045CA/045CALF | 4.3 | | | | | | | | |
| 61125-055CA/055CALF | 5.0 | | | | | | | | |
| 61125-025CAC/025CACLF | 2.2 | LEFT | ABOVE | |  RECEPTACLE PART NUMBER: 91931-31169LF |  | | | |
| 61125-045CAC/045CACLF | 4.3 | | | | | | | | |
| 61125-055CAC/055CACLF | 5.0 | | | | | | | | |
| 61125-105CA/105CALF | 0.0 | | | | | | | | |
| 61125-125CA/125CALF | 2.2 | RIGHT | BELOW | | |  RECEPTACLE PART NUMBER: 91931-31169LF |  | | |
| 61125-145CA/145CALF | 4.3 | | | | | | | | |
| 61125-155CA/155CALF | 5.0 | | | | | | | | |
| 61125-505CA/505CALF | 0.0 | | | | | | | | |
| 61125-525CA/525CALF | 2.2 | LEFT | BELOW | | | |  RECEPTACLE PART NUMBER: 91931-31169LF |  | |
| 61125-545CA/545CALF | 4.3 | | | | | | | | |
| 61125-555CA/555CALF | 5.0 | | | | | | | | |
| 61125-605CA/605CALF | 0.0 | | | | | | | | |
| 61125-625CA/625CALF | 2.2 | | | | | | | | |
| 61125-645CA/645CALF | 4.3 | | | | | | | | |
| 61125-655CA/655CALF | 5.0 | | | | | | | | |

- NOTES:
1. IT CAN'T BE USED FOR SINGLE DECK.
 2. IT MUST BE ASSEMBLED BY USER FOR DOUBLE DECK APPLICATION.(PLEASE REFER TO P/N 61124)

| | | | | |
|-------------|--------------------------------------|---------------|---|------------|
| mat'l code | tolerance unless otherwise specified | CUSTOMER COPY |  www.fciconnect.com | |
| rev. K | linear | projection | title EJECTOR HEADER ASS'Y 3.3V, SMT TYPE 1/2/3 | |
| ecn no. | angles | unit | product family | code |
| no. | dr WENDY CHEN 07/11/95 | mm/inch | PCMCIA | 61125 |
| date | engr JOSEPH HSIA 07/11/95 | scale | size | sheet 5 of |
| | chr JOSEPH HSIA 07/11/95 | 1:2:1 | A3 | |
| | appd JENN TSAO 07/11/95 | | | |
| sheet index | revision sheet | | | |

