

DESCRIPTION : ABOVE PCB, DECK AND PUSH ROD LOCATION ARE AS VIEW BY USER.

PRODUCT NO.	PUSH ROD LOCATION		STAND-OFF HEIGHT	CLOSEST TO PCB		FARTHEST FROM PCB		MATING RECEPTACLE	P.C.B SIDE	RECOMMENDED P.C.B LAYOUT (SEE PAGE 6&7)	MOUNT STYLE TO PCB AND PUSH ROD SIDE
	DECK CLOSEST TO PCB	DECK FARTHEST TO PCB		EJ HDR ASS'Y	EJ HDR ASS'Y	Ⓐ 61124-*****	Ⓑ 61125-*****				
200CA	RIGHT	RIGHT	0.0	61126-002CA	61125-005CA	RECEPTACLE PART NO. 91931-31169	ABOVE	LAYOUT 1			
220CA	RIGHT	RIGHT	2.2	61125-020CA	61125-025CA			LAYOUT 2			
240CA	RIGHT	RIGHT	4.3	61125-040CA	61125-045CA			LAYOUT 2			
250CA	RIGHT	RIGHT	5.0	61125-050CA	61125-055CA			LAYOUT 2			
220CAC	RIGHT	RIGHT	2.2	61125-020CAC	61125-025CAC			LAYOUT 2			
240CAC	RIGHT	RIGHT	4.3	61125-040CAC	61125-045CAC			LAYOUT 2			
250CAC	RIGHT	RIGHT	5.0	61125-050CAC	61125-055CAC			LAYOUT 2			
300CA	LEFT	LEFT	0.0	61126-102CA	61125-105CA			LAYOUT 1			
320CA	LEFT	LEFT	2.2	61125-120CA	61125-125CA			LAYOUT 2			
340CA	LEFT	LEFT	4.3	61125-140CA	61125-145CA			LAYOUT 2			
350CA	LEFT	LEFT	5.0	61125-150CA	61125-155CA			LAYOUT 2			
700CA	RIGHT	RIGHT	0.0	61126-502CA	61125-505CA			LAYOUT 3			
720CA	RIGHT	RIGHT	2.2	61125-520CA	61125-525CA			LAYOUT 4			
740CA	RIGHT	RIGHT	4.3	61125-540CA	61125-545CA			LAYOUT 4			
750CA	RIGHT	RIGHT	5.0	61125-550CA	61125-555CA			LAYOUT 4			
800CA	LEFT	LEFT	0.0	61126-602CA	61125-605CA	LAYOUT 3					
820CA	LEFT	LEFT	2.2	61125-620CA	61125-625CA	LAYOUT 4					
840CA	LEFT	LEFT	4.3	61125-640CA	61125-645CA	LAYOUT 4					
850CA	LEFT	LEFT	5.0	61125-650CA	61125-655CA	LAYOUT 4					

OR

ORDERING INFORMATION			
NAME	PART NO.	Q'TY	
Ⓐ EJECT HEADER ASS'Y	61124-*****	1	
Ⓓ MATING RECEPTACLE	91931-31169	2	

ORDERING INFORMATION			
NAME	PART NO.	Q'TY	
Ⓑ DECK CLOSEST TO PCB	61125-*****	1	
Ⓒ DECK FARTHEST FROM PCB	61125-*****	1	
Ⓓ MATING RECEPTACLE	91931-31169	2	

OR

ORDERING INFORMATION			
NAME	PART NO.	Q'TY	
Ⓑ DECK CLOSEST TO PCB	61126-*****	1	
Ⓒ DECK FARTHEST FROM PCB	61125-*****	1	
Ⓓ MATING RECEPTACLE	91931-31169	1	

rev	ecn no	dr	date
C	T03-0216	V L	06/09/03
D	N05-0059	V B	03/03/05
E	N05-0140	V B	05/31/05
F	N05-0217	V B	07/25/05
G	N08-0169	MZ	08/13/07
H	N11-0015	SH	2011-02-09

www.fciconnect.com		surface 6.4	tolerance std ISO 1302	ISO 406	ISO 1101	projection	MM
		TOLERANCES UNLESS OTHERWISE SPECIFIED		0.X	±0.3	size A4	Scale 1.000
Dr	WENDY CHEN	07/06/95	ANGULAR	LINEAR	0.XXX	±0.15	ECN N11-0015
Eng	L.W. LU	07/06/95	0°	±2°	0.XXX	±0.05	Spec ref RELEASE
Chr	JOSEPH HSIA	07/06/95	Product family		61124	Spec ref	RELEASE
Appr	JENN TSAD	07/06/95	Product family		61124	Spec ref	RELEASE
FCJ		EJECTOR HEADER ASS'Y		61124		Rev. H	
title		3.3V SMT, TYPE 1/2/3		CUSTOMER		sheet 1 of 8	
catalog no							

REV F - 2008-06-17

PDM: Rev:H

STATUS:Released

4 Printed: Feb 10, 2011

DESCRIPTION : ABOVE PCB, DECK AND PUSH ROD LOCATION ARE AS VIEW BY USER.

PRODUCT NO.	PUSH ROD DECK CLOSEST TO PCB	LOCATION DECK FARTHEST TO PCB	STAND-OFF HEIGHT	CLOSEST TO PCB EJ HDR ASS'Y	FARTHEST FROM PCB EJ HDR ASS'Y	MATING RECEPTACLE	P.C.B SIDE	RECOMMENDED P.C.B LAYOUT (SEE PAGE 6&7)	MOUNT STYLE TO PCB AND PUSH ROD SIDE
Ⓐ 61124-*****	RIGHT	RIGHT	0.0	Ⓑ 61126-002CALF	Ⓒ 61125-005CALF	RECEPTACLE PART NO. 91931-31169LF	ABOVE	LAYOUT 1	
220CALF	RIGHT	RIGHT	2.2	61125-020CALF	61125-025CALF			LAYOUT 2	
240CALF	RIGHT	RIGHT	4.3	61125-040CALF	61125-045CALF			LAYOUT 2	
250CALF	RIGHT	RIGHT	5.0	61125-050CALF	61125-055CALF			LAYOUT 2	
220CACLF	RIGHT	RIGHT	2.2	61125-020CACLF	61125-025CACLF			LAYOUT 2	
240CACLF	RIGHT	RIGHT	4.3	61125-040CACLF	61125-045CACLF			LAYOUT 2	
250CACLF	RIGHT	RIGHT	5.0	61125-050CACLF	61125-055CACLF			LAYOUT 2	
251CACLF	LEFT	RIGHT	5.0	61125-050CACLF	61125-155CACLF			LAYOUT 2	
300CALF	LEFT	LEFT	0.0	61126-102CALF	61125-105CALF			LAYOUT 1	
320CALF	LEFT	LEFT	2.2	61125-120CALF	61125-125CALF			LAYOUT 2	
340CALF	LEFT	LEFT	4.3	61125-140CALF	61125-145CALF			LAYOUT 2	
350CALF	LEFT	LEFT	5.0	61125-150CALF	61125-155CALF			LAYOUT 2	
350CACLF	LEFT	LEFT	5.0	61125-150CACLF	61125-155CACLF			LAYOUT 2	
700CALF	RIGHT	RIGHT	0.0	61126-502CALF	61125-505CALF			LAYOUT 3	
720CALF	RIGHT	RIGHT	2.2	61125-520CALF	61125-525CALF	LAYOUT 4			
740CALF	RIGHT	RIGHT	4.3	61125-540CALF	61125-545CALF	LAYOUT 4			
750CALF	RIGHT	RIGHT	5.0	61125-550CALF	61125-555CALF	LAYOUT 4			
800CALF	LEFT	LEFT	0.0	61126-602CALF	61125-605CALF	LAYOUT 3			
820CALF	LEFT	LEFT	2.2	61125-620CALF	61125-625CALF	LAYOUT 4			
840CALF	LEFT	LEFT	4.3	61125-640CALF	61125-645CALF	LAYOUT 4			
850CALF	LEFT	LEFT	5.0	61125-650CALF	61125-655CALF	LAYOUT 4			

OR

ORDERING INFORMATION

ORDERING INFORMATION		
NAME	PART NO.	Q'TY
Ⓐ EJECT HEADER ASS'Y	61124-*****LF	1
Ⓓ MATING RECEPTACLE	91931-31169LF	2

ORDERING INFORMATION		
NAME	PART NO.	Q'TY
Ⓑ DECK CLOSEST TO PCB	61125-*****LF	1
Ⓒ DECK FARTHEST FROM PCB	61125-*****LF	1
Ⓓ MATING RECEPTACLE	91931-31169LF	2

OR

ORDERING INFORMATION

ORDERING INFORMATION		
NAME	PART NO.	Q'TY
Ⓑ DECK CLOSEST TO PCB	61126-*****LF	1
Ⓒ DECK FARTHEST FROM PCB	61125-*****LF	1
Ⓓ MATING RECEPTACLE	91931-31169LF	1

NOTE:

- THE HOUSING WILL WITHSTAND EXPOSURE TO 260°C PEAK TEMPERATURE FOR 10 SECONDS IN A WAVE SOLDER APPLICATION WITH A 1.00MM MINIMUM THICK CIRCUIT BOARD.
- THE PRODUCTS FOR SUFFIX " LF " MEET EUROPEAN UNION DIRECTIVES AND OTHER COUNTRY REGULATIONS AS DESCRIBED IN GS-22-008 OTHER PRODUCTS ARE COMPLIANT EXCEPT FOR Pb.
- LEAD FREE P/N PACKAGING MEETS GS-14-920 SPECIFICATION
- FINISH (PIN)
CONTACT AREA : 0.1 μm MIN. GOLD OVER
0.5 μm MIN. Pd-Ni (FOR-***CA,***CALF)
0.8 μm MIN. Pd-Ni (FOR-***CAC,***CACLF)
SOLDER TAIL(FOR -*****) : 2.5 μm MIN. Sn-Pb
SOLDER TAIL(FOR -*****LF) : 2.5 μm MIN. PURE Sn

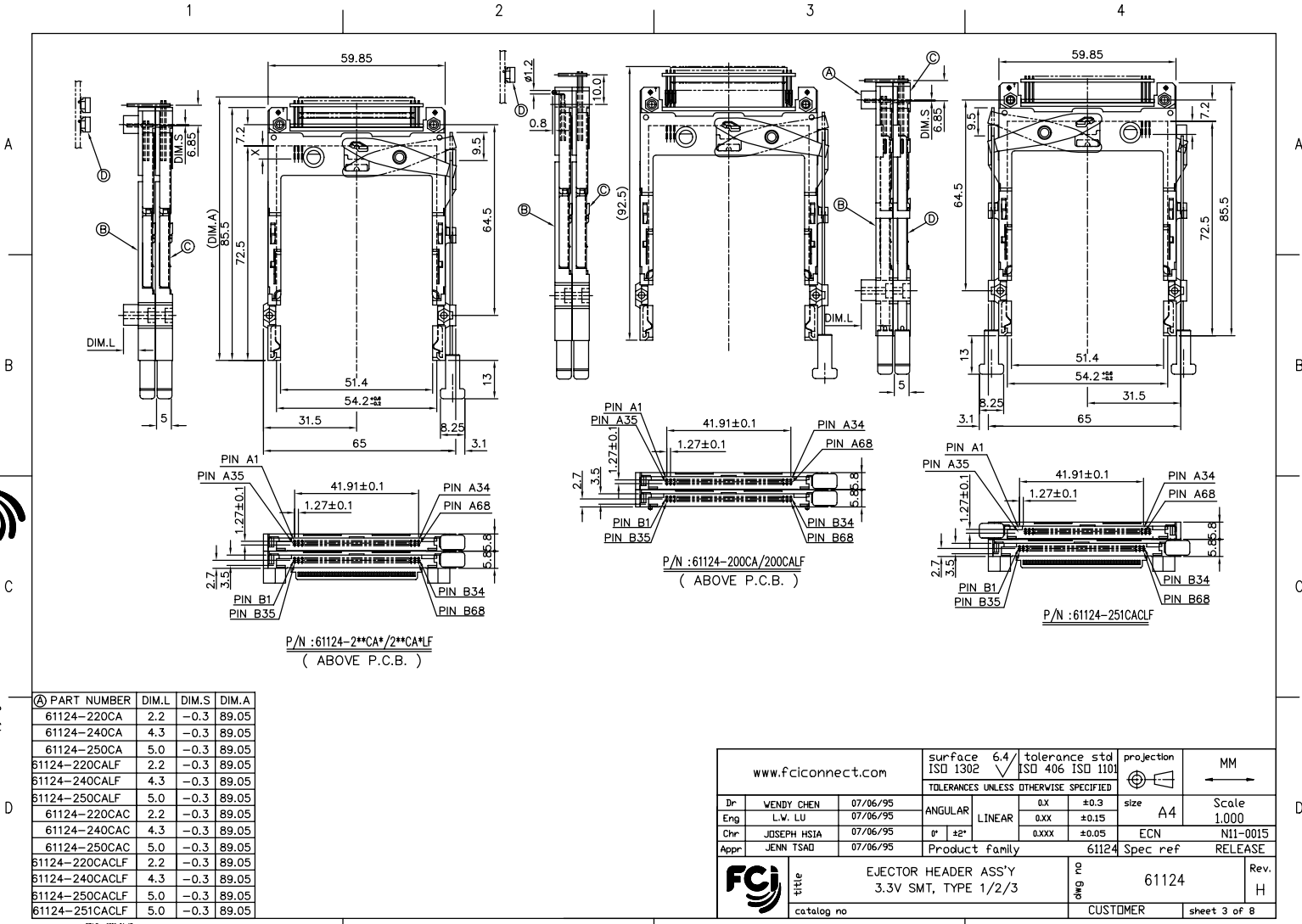
www.fciconnect.com		surface 6.4	tolerance std ISO 1302	projection	MM
		ISO 1302	ISO 406 ISO 1101		
TOLERANCES UNLESS OTHERWISE SPECIFIED					
Dr	WENDY CHEN	07/06/95	ANGULAR	0.X	±0.3
Eng	L.V. LU	07/06/95	LINEAR	0.XX	±0.15
Chr	JOSEPH HSIA	07/06/95	° ±'	0.XXX	±0.05
Appr	JENN TSAO	07/06/95	Product family	61124	Spec ref RELEASE
	title EJECTOR HEADER ASS'Y		2	61124	Rev. H
	catalog no		3.3V SMT, TYPE 1/2/3	CUSTOMER	sheet 2 of 8



Copyright FCJ



Copyright FCJ



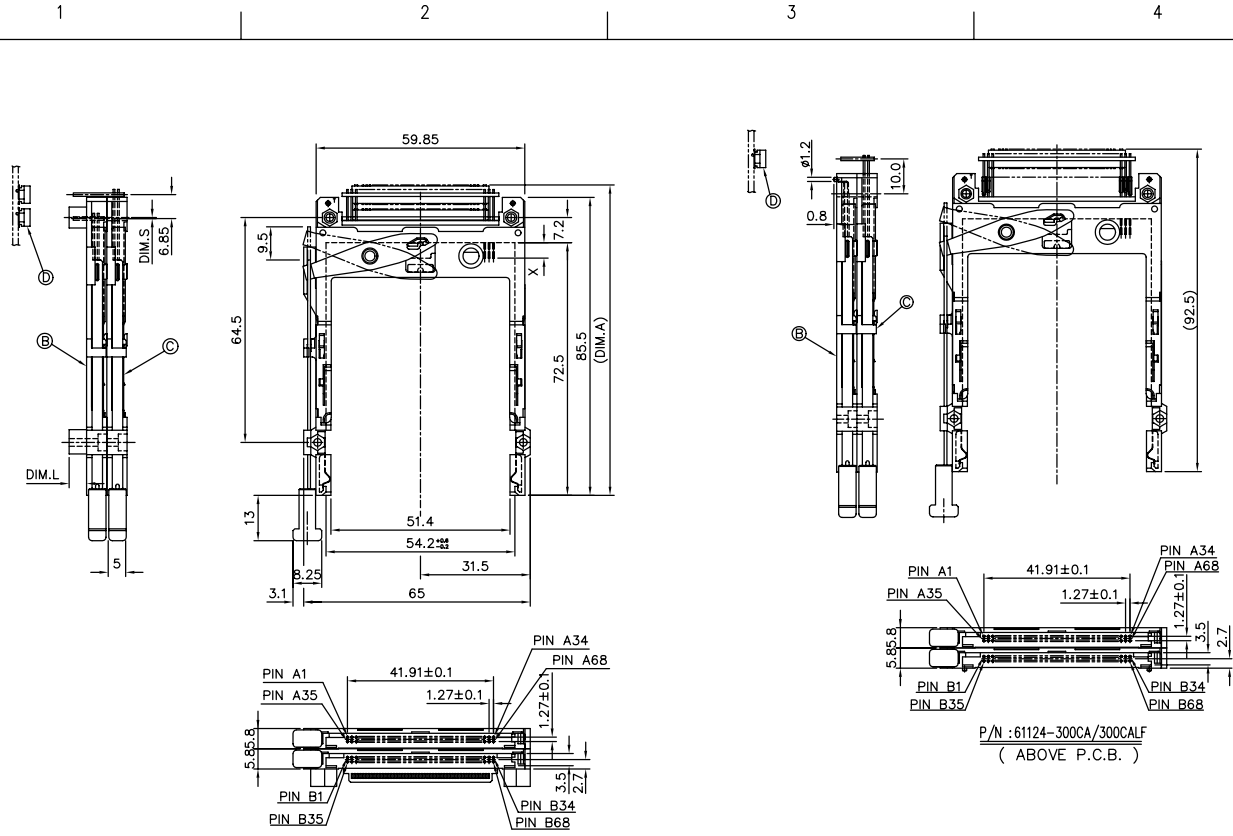
(A) PART NUMBER	DIM.L	DIM.S	DIM.A
61124-220CA	2.2	-0.3	89.05
61124-240CA	4.3	-0.3	89.05
61124-250CA	5.0	-0.3	89.05
61124-220CALF	2.2	-0.3	89.05
61124-240CALF	4.3	-0.3	89.05
61124-250CALF	5.0	-0.3	89.05
61124-220CAC	2.2	-0.3	89.05
61124-240CAC	4.3	-0.3	89.05
61124-250CAC	5.0	-0.3	89.05
61124-220CACLF	2.2	-0.3	89.05
61124-240CACLF	4.3	-0.3	89.05
61124-250CACLF	5.0	-0.3	89.05
61124-251CACLF	5.0	-0.3	89.05

www.fcjconnect.com		surface 6.4	tolerance std ISO 1302	projection	MM
		ISO 1302	ISO 406 ISO 1101	size A4	Scale 1.000
TOLERANCES UNLESS OTHERWISE SPECIFIED		ANGULAR	LINEAR	size A4	Scale 1.000
Dr	WENDY CHEN	07/06/95	0° ±2°	0.X ±0.3	ECN N11-0015
Eng	L.V. LU	07/06/95	0° ±2°	0.XX ±0.15	RELEASE
Chr	JOSEPH HSIA	07/06/95	0° ±2°	0.XXX ±0.05	
Appr	JENN TSAD	07/06/95	Product family	61124	Spec ref
FCJ		title		Rev.	
		EJECTOR HEADER ASS'Y		61124	
		3.3V SMT, TYPE 1/2/3		H	
catalog no		CUSTOMER		sheet 3 of 8	

PDM: Rev:H STATUS:Released 4 Printed: Feb 10, 2011



Copyright FCJ



④ PART NUMBER	DIM.L	DIM.S	DIM.A
61124-320CA	2.2	-0.3	89.05
61124-340CA	4.3	-0.3	89.05
61124-350CA	5.0	-0.3	89.05
61124-320CALF	2.2	-0.3	89.05
61124-340CALF	4.3	-0.3	89.05
61124-350CALF	5.0	-0.3	89.05
61124-350CACLF	5.0	-0.3	89.05

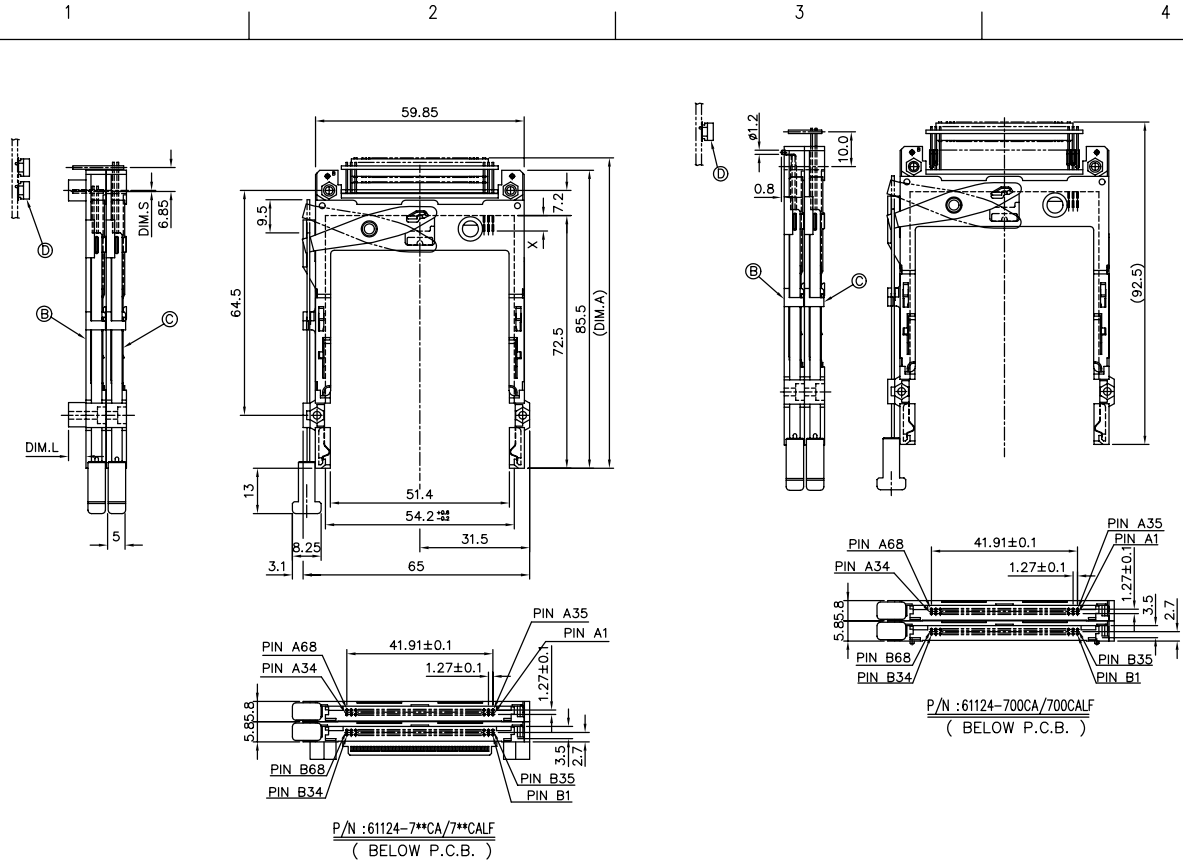
REV F - 2008-06-17

www.fcconnect.com		surface 6.4 ISO 1302	tolerance std ISO 406 ISO 1101	projection A4	MM
TOLERANCES UNLESS OTHERWISE SPECIFIED		ANGULAR	LINEAR	size	Scale
Dr	WENDY CHEN 07/06/95	0°	±2°	0.X	±0.3
Eng	L.V. LU 07/06/95	0.XXX	±0.15	0.XXX	±0.05
Chr	JOSEPH HSIA 07/06/95	Product family		ECN	NII-0015
Appr	JENN TSAD 07/06/95	61124		Spec ref	RELEASE
FCJ	title	EJECTOR HEADER ASS'Y 3.3V SMT, TYPE 1/2/3		61124	Rev. H
catalog no	CUSTOMER		sheet 4 of 8		

PDM: Rev:H STATUS:Released 4 Printed: Feb 10, 2011



Copyright FCJ



① PART NUMBER	DIM.L	DIM.S	DIM.A
61124-720CA	2.2	-0.3	89.05
61124-740CA	4.3	-0.3	89.05
61124-750CA	5.0	-0.3	89.05
61124-720CALF	2.2	-0.3	89.05
61124-740CALF	4.3	-0.3	89.05
61124-750CALF	5.0	-0.3	89.05

www.fcconnect.com			surface 6.4 ISO 1302	tolerance std ISO 406 ISO 1101	projection A4	MM
			TOLERANCES UNLESS OTHERWISE SPECIFIED			
Dr	WENDY CHEN	07/06/95	ANGULAR	0.X	±0.3	Scale 1.000
Eng	L.V. LU	07/06/95	LINEAR	0.XX	±0.15	
Chr	JOSEPH HSIA	07/06/95	0° ±2°	0.XXX	±0.05	ECN N11-0015
Appr	JENN TSAD	07/06/95	Product family		61124	Spec ref RELEASE
FCJ		title EJECTOR HEADER ASS'Y 3.3V SMT, TYPE 1/2/3			61124	Rev. H
catalog no		CUSTOMER			sheet 5 of 8	

PDM: Rev:H STATUS:Released 4 Printed: Feb 10, 2011



Copyright FCJ

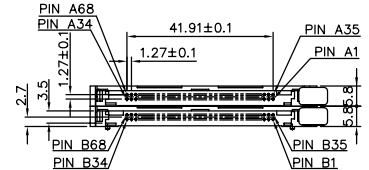
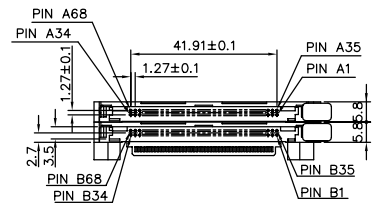
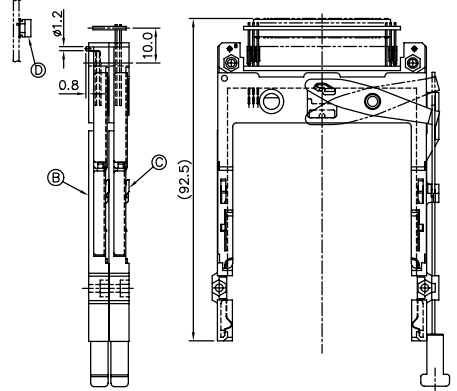
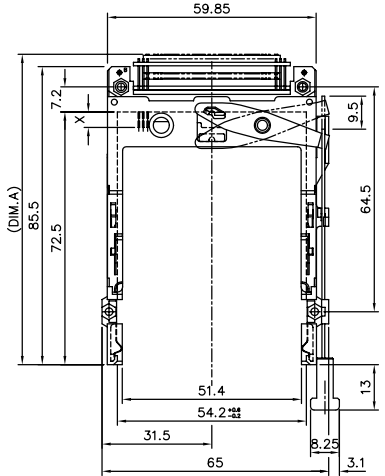
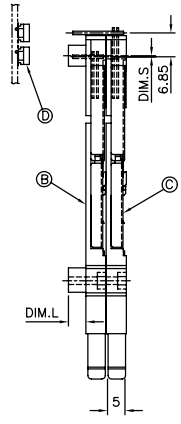
1 2 3 4

A

B

C

D



P/N : 61124-8**CA/8**CALF
(BELOW P.C.B.)

P/N : 61124-800CA/800CALF
(BELOW P.C.B.)

④ PART NUMBER	DIM.L	DIM.S	DIM.A
61124-820CA	2.2	-0.3	89.05
61124-840CA	4.3	-0.3	89.05
61124-850CA	5.0	-0.3	89.05
61124-820CALF	2.2	-0.3	89.05
61124-840CALF	4.3	-0.3	89.05
61124-850CALF	5.0	-0.3	89.05

REV F - 2009-06-17

www.fciconnect.com		surface ISO 1302	6.4	tolerance std ISO 406 ISO 1101	projection ISO 1101	MM
TOLERANCES UNLESS OTHERWISE SPECIFIED		ANGULAR		0.X	±0.3	size A4
Dr	WENDY CHEN	07/06/95	LINEAR	0.XX	±0.15	Scale 1.000
Eng	L.V. LU	07/06/95	0° ±2°	0.XXX	±0.05	ECN N11-0015
Chr	JOSEPH HSIA	07/06/95	Product family		61124	Spec ref RELEASE
Appr	JENN TSAO	07/06/95	title		EJECTOR HEADER ASS'Y 3.3V SMT, TYPE 1/2/3	Rev. H
catalog no		CUSTOMER		sheet 6 of 8		

1

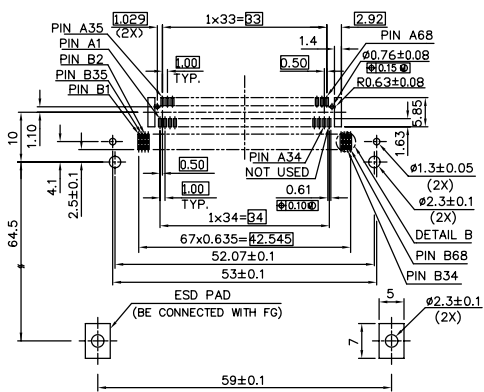
2

PDM: Rev:H

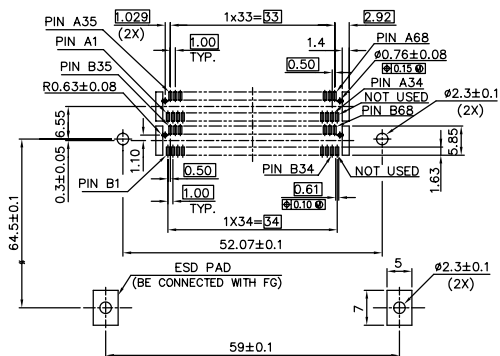
STATUS:Released

4 Printed: Feb 10, 2011

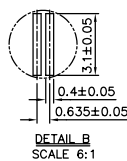
PRODUCT NO.
61124-*****/****LF



4 CARD INSERTION DIRECTION
RECOMMENDED P.C.B. LAYOUT 1 (MOUNTED SIDE)



4 CARD INSERTION DIRECTION
RECOMMENDED P.C.B. LAYOUT 2 (MOUNTED SIDE)



www.fcconnect.com		surface 6.4	tolerance std	projection	MM
		ISO 1302	ISO 406 ISO 1101		
		TOLERANCES UNLESS OTHERWISE SPECIFIED			
Dr	WENDY CHEN 07/06/95	ANGULAR	LINEAR	0.X ±0.3	size A4 Scale 1.000
Eng	L.V. LU 07/06/95	0° ±2°		0.XXX ±0.15	ECN N11-0015
Chr	JOSEPH HSIA 07/06/95			0.XXXX ±0.05	Spec ref RELEASE
Appr	JENN TSAD 07/06/95	Product family		61124	Rev. H
title EJECTOR HEADER ASS'Y 3.3V SMT, TYPE 1/2/3		part no CUSTOMER		61124	sheet 7 of 8

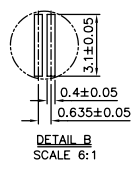
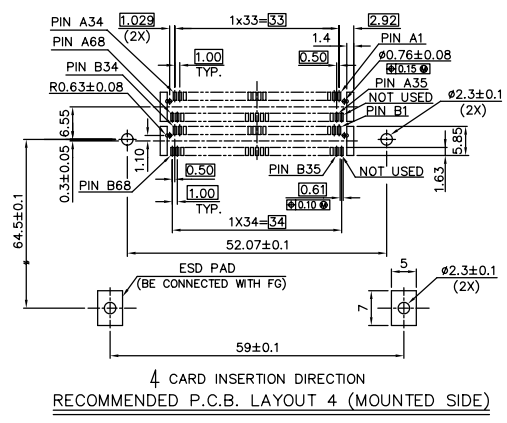
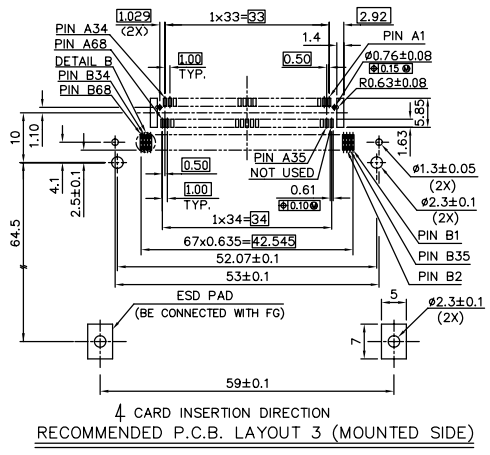
REV 7 - 2008-09-17

PDM: Rev:H

STATUS:Released

4 Printed: Feb 10, 2011

PRODUCT
61124-*****/****LF



www.fcconnect.com		surface 6.4	tolerance std ISO 1302	projection	MM
		tolerance std ISO 406 ISO 1101			
TOLERANCES UNLESS OTHERWISE SPECIFIED					
Dr	WENDY CHEN	07/06/95	ANGULAR	0.X	±0.3
Eng	L.V. LU	07/06/95	LINEAR	0.XX	±0.15
Chr	JOSEPH HSIA	07/06/95	0° ±2°	0.XXX	±0.05
Appr	JENN TSAD	07/06/95	Product family	61124	Spec ref
			Product family	61124	Spec ref
			Product family	61124	Spec ref
FCJ			EJECTOR HEADER ASS'Y 3.3V SMT, TYPE 1/2/3		Rev. H
catalog no			CUSTOMER		sheet 8 of 8