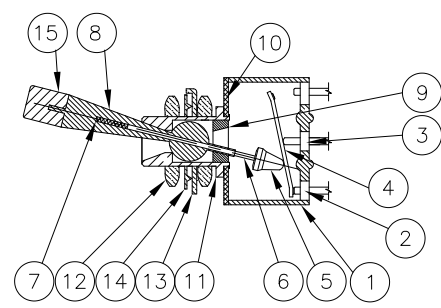


THIS DRAWING IS UNAPPROVED FOR FABRICATION  
 ALL RIGHTS RESERVED

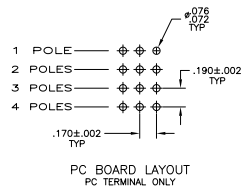
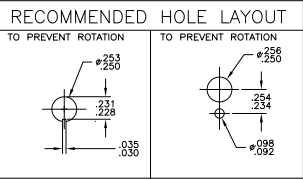
REV	DATE	DESCRIPTION	BY	CHK	APP
AD 00					
C2		REVISED PER EDD-11-005556			OTMMR11 PSK MW

Materials			
No.	Component name	Base material	Finish
1	Housing	High Temp., UL 94V-0, green	
2	End terminal	silver clad copper alloy	5 microinches min. gold
3	Center terminal	copper alloy	5 microinches min. gold
4	Rocker contact	silver clad copper alloy	5 microinches min. gold
5	Actuator	Phenol resin, UL94 HB, black	
6	Plunger	stainless steel	
7	Spring	music wire	
8	Toggle	brass	chrome or nickel
9	Retainer	Polyamide, UL94 HB, black	
10	Frame	cold rolled steel	zinc or nickel
11	Bushing	brass	100 microinches min. nickel over 10 microinches min. copper
12	Mounting nuts (2)	brass	200 microinches min. bright nickel
13	Locating ring	cold rolled steel	zinc or nickel
14	Internal tooth lockwasher	steel	zinc or nickel
15	Toggle tip	Polyamide, black	



NOT TO SCALE

Specifications-see note 3			
Current rating UL & CSA	6A @ 125 VAC (resistive) 3A @ 250 VAC (resistive) 4A @ 28 VDC (resistive)		
Termination resistance	20 milliohms max @ 2-4 VDC, 1A		
Insulation resistance	1,000 megohms min.		
Withstanding voltage	1,000 VAC		
Travel	24 +/-6 degrees		
Actuation force	.05 to 1.5 kgf		
Operating temperature	-20C to +85C		
Storage temperature	-40C to +85C		
Contact timing	break before make		
Terminal seal	epoxy or insert molded		
Durability	Parameter	2 Position	3 Position
	mechanical (no load)	150,000	100,000
	250 VAC (3A resistive)	80,000	60,000
	125 VAC (6A resistive)	80,000	60,000
	28 VDC (4A resistive)	60,000	50,000
			Momentary
			80,000
			60,000
			60,000
			40,000



Part Number	Alco Model	Poles	Throws	Function	Terminal	ALCO	ALCO	ALCO	Comments
6-1437558-7	MTB406N	4	2	ON ON	Wire lug	3 2 1 6 5 4 9 8 7 12 11 10	3 2 1 6 5 4 9 8 7 12 11 10	3 2 1 6 5 4 9 8 7 12 11 10	2-3, 5-6, 8-9, 11-12
6-1437558-6	MTB306D	3	2	ON ON	Wire lug	---	---	---	2-1, 5-4, 8-7, 11-10
6-1437558-5	MTB206P	2	2	ON OFF ON	Wire lug	2-3, 5-6	---	---	2-1, 5-4, 8-7
6-1437558-4	MTB206N	2	2	ON ON	Wire lug	2-3, 5-6	---	---	2-1, 5-4
6-1437558-3	MTB106E	1	2	ON OFF ON	Wire lug	2-3	---	---	2-1
6-1437558-2	MTB106D	1	2	ON ON	Wire lug	2-3	---	---	2-1

NOTES:  
 1. TERMINAL NUMBERS ARE FOR REFERENCE ONLY AND DO NOT APPEAR ON THE SWITCHES.  
 2. EACH SWITCH SUPPLIED WITH THE FOLLOWING MOUNTING HARDWARE:  
 (2) 1/4-40 UNS-2B HEX NUTS  
 (1) INTERNAL TOOTH LOCKWASHER  
 (1) LOCATING RING

5. WIRE LUG CONTACTS WILL ACCEPT 2 #20 AWG SOLID OR STRANDED WIRES.

THIS DRAWING IS A CONTROLLED DOCUMENT.

TE Connectivity  
 TOGGLE SWITCH, MTB SERIES  
 VERTICAL MOUNT

DATE: 00779  
 DRAWING NO: 6-1437558-2  
 SIZE: 2:1  
 SHEET: 1 OF 3  
 C2



