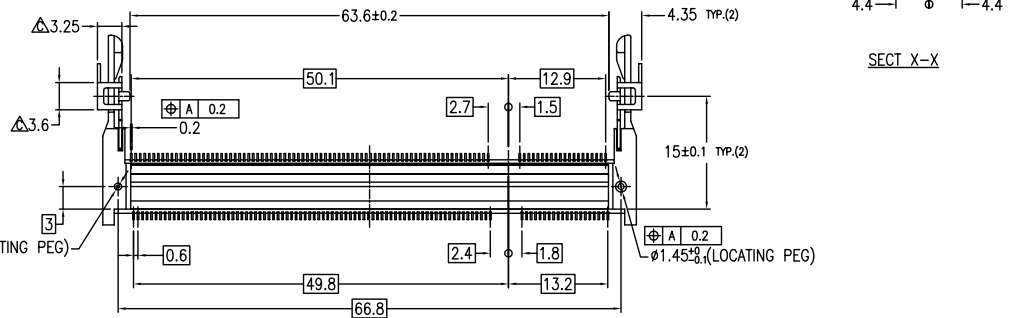
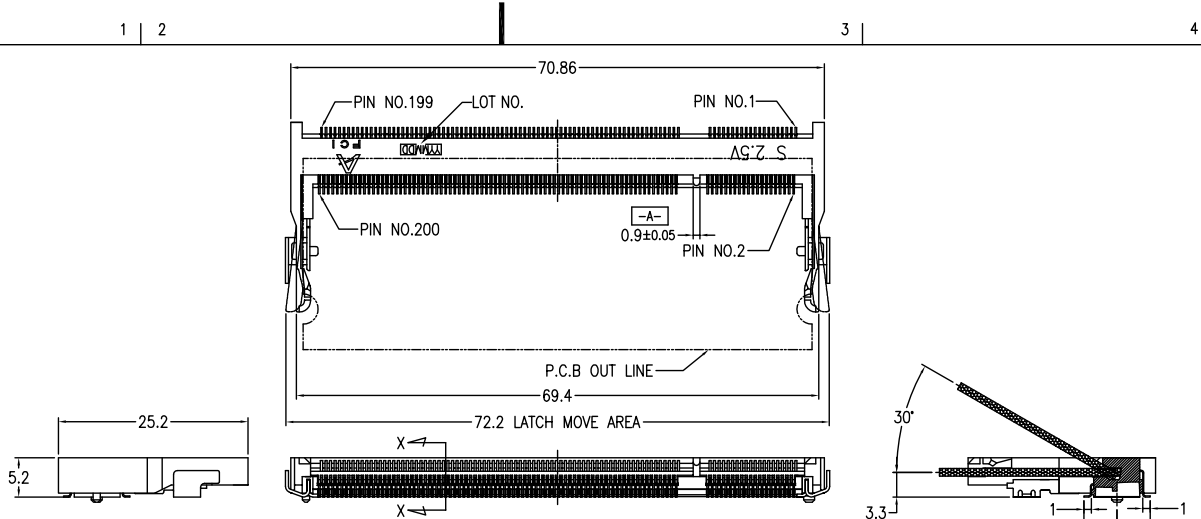


Tous droits strictement réservés. Reproduction ou communication e des Mars
 Interdite sous quelque forme que ce soit sans autorisation écrite du propriétaire.
 Property of FCI. Droits de reproduction FCI.



All rights strictly reserved. Reproduction or issue to third parties in any
 form whatsoever is not permitted without written authority from the proprietor.
 Property of FCI. Copyright FCI.

PRODUCT NO.
SEE SHEET 4



- NOTE
1. PRODUCT SPEC. : GS-12-195
 2. PACKAGING SPEC. : GS-14-786
 3. MATERIAL
 - 1) HOUSING : LCP, UL94V-0, COLOR BLACK
 - 2) CONTACT : COPPER ALLOY
 - 3) HOLD DOWN : BRASS
 4. FINISH
 - 1) TERMINAL : SEE TABLE
 - 2) HOLD DOWN : SEE TABLE
 5. CO-PLANARITY : 0.1 MAX.(INCLUDE HOLD DOWN)
 6. THIS PRODUCT MEETS EUROPEAN UNION DIRECTIVES AND OTHER COUNTRY REGULATIONS AS DESCRIBED IN GS-22-008.
 7. THE HOUSING WILL WITHSTAND EXPOSURE TO 260° PEAK TEMPERATURE FOR 10 SECONDS IN A REFLOW SOLDER APPLICATION.

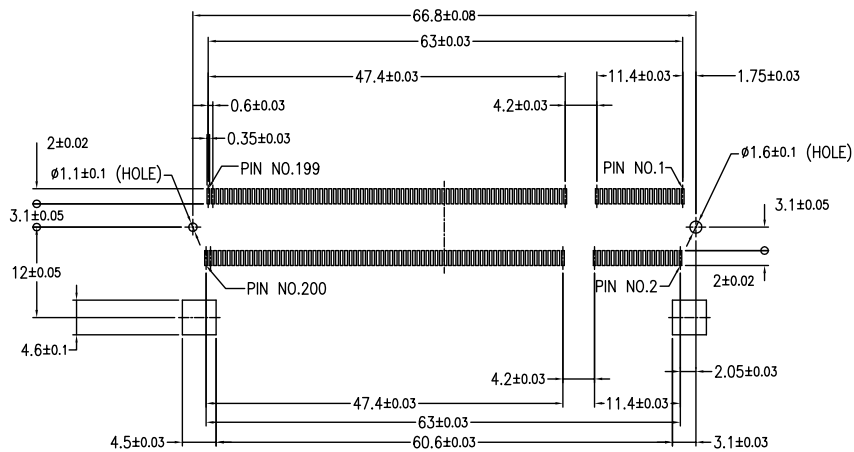
| mat'l. code | | tolerances unless otherwise specified | | CUSTOMER COPY | | FCI | |
|-------------|----------------|---------------------------------------|-----------|---------------|-------------------|------------|---|
| ltr | ecn no | dr | date | linear | .X ± 0.30 | projection | title |
| G | 104-0132 | M.H | 04/06/04' | | .XX ± 0.30 | MM | DDR SO-DIMM 0.6 mm PITCH 200 POS. STANDARD TYPE ASS'Y |
| H | 705-0022 | R.C | 01/27/05' | angles | 0° ± 2' | scale | product family 50UF SO-DIMM |
| J | 705-0026 | R.C | 02/04/05' | | | 2:1 | size dwg no |
| K | 0605-0388 | K.W | 10/13/05' | dr | M.Hosegawa 4/6/04 | | code JP |
| L | 0608-0333 | B.L | 12/01/08' | engr | M.Hosegawa 4/6/04 | | sheet 1 of 4 |
| | | | | chr | | | |
| | | | | appd | | | |
| sheet index | revision sheet | L | L | L | L | | |
| | | 1 | 2 | 3 | 4 | | |

Tous droits strictement réservés. Reproduction ou communication e des Mars
Interdit sous quelque forme que ce soit sans autorisation écrite du propriétaire.
Property of FCI. Droits de reproduction FCI.



All rights strictly reserved. Reproduction or issue to third parties in any
form whatsoever is not permitted without written authority from the proprietor.
Property of FCI. Copyright FCI.

PRODUCT NO.
59354-x52xx



RECOMMENDED MOUNTING P.C.B LAYOUT

| | | | | | | | | | | |
|-------------|----------------|----|------|---------------------------------------|---------------------|---------------|-------|---|----------------|--------------|
| mat'l. code | | | | tolerances unless otherwise specified | | CUSTOMER COPY | | FCI www.fciconnect.com | | |
| ltr | ecn no | dr | date | linear | .X ± 0.30 | projection | title | DDR SO-DIMM 0.6 mm PITCH 200 POS. STANDARD TYPE ASS'Y | | |
| L | | | | angles | .XX ± 0.30 | | | MM | product family | SOUF SO-DIMM |
| | | | | dr | M.Hosegawa 11/10/03 | scale | size | dwg no | 59354 | JP |
| | | | | engr | M.Hosegawa 11/10/03 | 2:1 | B | | | sheet |
| | | | | chr | | | | | | 2 of |
| | | | | appd | | | | | | |
| sheet index | revision sheet | | | | | | | | | |

ACAT

PDM: Rev:L

STATUS Released

Printed: Jul 28, 2010

1 | 2

3

4

1 | 2

3

4

Tous droits strictement réservés. Reproduction ou communication e des Mars Interette sous quelque forme que ce soit sans autorisation écrite du propriétaire. Propriete de c FCI. Droits de reproduction FCI.



All rights strictly reserved. Reproduction or issue to third parties in any form whatsoever is not permitted without written authority from the proprietor. Property of FCI. Copyright FCI.

1 | 2

3

4

| PRODUCT NO. | LOCATING PEG | TERMINAL CONTACT AREA FINISH | HOLD DOWN FINISH | SOLDER TAIL FINISH |
|-------------|--------------|------------------------------|------------------|--------------------|
| 59354-052FS | YES | Au FLASH | Pure Sn PLATING | Au FLASH PLATING |
| 59354-152FS | NO | | | |
| 59354-052TS | YES | Au 0.3µm MIN. | | |
| 59354-152TS | NO | | Sn-Cu PLATING | Pure Sn PLATING |
| 59354-052AS | YES | Au 0.76µm MIN. | | |
| 59354-152AS | NO | | | |
| 59354-052FC | YES | Au FLASH | Sn-Cu PLATING | Au FLASH PLATING |
| 59354-152FC | NO | | | |
| 59354-052TC | YES | Au 0.3µm MIN. | | |
| 59354-152TC | NO | | Sn-Cu PLATING | Pure Sn PLATING |
| 59354-052AC | YES | Au 0.76µm MIN. | | |
| 59354-152AC | NO | | | |
| 59354-252FS | YES | Au FLASH | Pure Sn PLATING | Au FLASH PLATING |
| 59354-352FS | NO | | | |
| 59354-252TS | YES | Au 0.3µm MIN. | | |
| 59354-352TS | NO | | Sn-Cu PLATING | Pure Sn PLATING |
| 59354-252AS | YES | Au 0.76µm MIN. | | |
| 59354-352AS | NO | | | |
| 59354-252FC | YES | Au FLASH | Sn-Cu PLATING | Au FLASH PLATING |
| 59354-352FC | NO | | | |
| 59354-252TC | YES | Au 0.3µm MIN. | | |
| 59354-352TC | NO | | Sn-Cu PLATING | Pure Sn PLATING |
| 59354-252AC | YES | Au 0.76µm MIN. | | |
| 59354-352AC | NO | | | |

| PRODUCT NO. | LOCATING PEG | TERMINAL CONTACT AREA FINISH | HOLD DOWN FINISH | SOLDER TAIL FINISH |
|-------------|--------------|------------------------------|------------------|--------------------|
| 59354-452FS | YES | Au FLASH | Pure Sn PLATING | Au FLASH PLATING |
| 59354-552FS | NO | | | |
| 59354-452TS | YES | Au 0.3µm MIN. | | |
| 59354-552TS | NO | | Sn-Pb PLATING | Au FLASH PLATING |
| 59354-452AS | YES | Au 0.76µm MIN. | | |
| 59354-552AS | NO | | | |
| 59354-452FC | YES | Au FLASH | Sn-Cu PLATING | Au FLASH PLATING |
| 59354-552FC | NO | | | |
| 59354-452TC | YES | Au 0.3µm MIN. | | |
| 59354-552TC | NO | | Sn-Cu PLATING | Pure Sn PLATING |
| 59354-452AC | YES | Au 0.76µm MIN. | | |
| 59354-552AC | NO | | | |

△ 59354-□□□□□ LF

<PACKING METHOD>

R : TAPE REEL

DEFAULT : TRAY

<HOLD DOWN FINISH>

S : Pure Sn

B : Sn-Pb

<CONTACT AREA FINISH>

F : Au FLASH

T : Au 0.3µm MIN.

A : Au 0.76µm MIN.

<TOTAL HEIGHT>

52 : 5.2mm

<LOCATING PEG, SOLDER TAIL FINISH>

0 : YES, Au FLASH

1 : NO, Au FLASH

2 : YES, Pure Sn PLATING

3 : NO, Pure Sn PLATING

4 : YES, Sn-Pb PLATING

5 : NO, Sn-Pb PLATING

For Rohs OPTIONS:
TAIL PLATING CODE MUST BE 0~3.
HOLD DOWN PLATING CODE MUST BE "S".
"LF" CODE IS EXIST IN THE END.
EX: 59354-252SLF

FOR NOT Rohs COMPATIBLE:
THIS "LF" CODE IS "BLANK".
EX: 59354-452TS

| mat'l. code | | | | tolerances unless otherwise specified | | CUSTOMER COPY | | FCI | |
|-------------|----------------|----|------|---------------------------------------|-------------------|---------------|---|--------------------|-------|
| ltr | ecn no | dr | date | linear | .X ± 0.30 | projection | title | www.fciconnect.com | |
| L | | | | | .XX ± 0.30 | | DDR SO-DIMM 0.6 mm PITCH 200 POS. STANDARD TYPE ASS'Y | | |
| | | | | angles | 0° ± 2° | MM | product family | 50UF SO-DIMM | code |
| | | | | dr | M.Hosegawa 4/6/04 | scale | size | 59354 | JP |
| | | | | enrg | M.Hosegawa 4/6/04 | 2:1 | dwg no | | sheet |
| | | | | chr | | | | | 4 of |
| | | | | appd | | | | | |
| sheet index | revision sheet | | | | | | | | |

1 | 2

3

4

ACAT

PDM: Rev:L

STATUS Released

Printed: Jul 28, 2010

A

B