

4

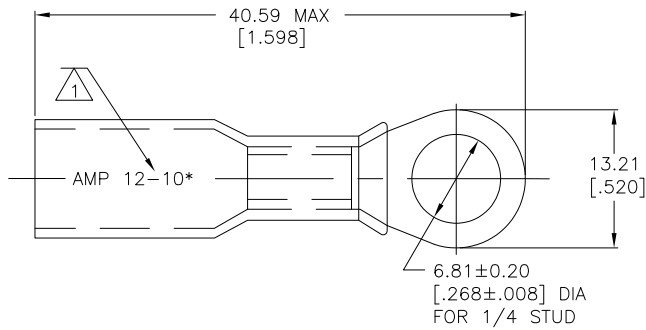
3

2

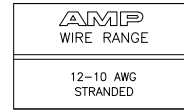
1

THIS DRAWING IS UNPUBLISHED. RELEASED FOR PUBLICATION
 © COPYRIGHT - BY TYCO ELECTRONICS CORPORATION. ALL INTERNATIONAL RIGHTS RESERVED.

LOC	DIST	REVISIONS			
P	LTR	DESCRIPTION	DATE	DWN	APVD
G	14				
	D	REVISED PER ECR-09-027352	17FEB10	JR	TM



- 1 STAMP AMP 12-10* APPROX AS SHOWN
- 2 WIRE INSULATION DIA 6.10 [.240] MAX
- 3 TONGUE MATERIAL THK 1.02±0.05 [.040±.002]



25	LOOSE PIECE	8-55858-3
500	LOOSE PIECE	55858-1
QTY	PACKAGE TYPE	PART NO

AMP INCORPORATED CUSTOMER SERVICE SYSTEMS		MAX RECOMMENDED OPERATING TEMPERATURE: 125° C MAX	THIS DRAWING IS A CONTROLLED DOCUMENT.		DWN S S GOULDEN 6/93 CHK R HERSEY 6/93 APVD B BARE 6/93	Tyco Electronics Tyco Electronics Corporation Harrisburg, PA 17105-3608
FOR ADDITIONAL PRODUCT INFORMATION OR COPIES OF DRAWINGS AND TECHNICAL DOCUMENTS PRODUCT INFORMATION CENTER 1-800-522-6752	FOR APPLICATION TOOLING ASSISTANCE CENTER TOOLING INFORMATION 1-800-722-1111	VOLTAGE RATING: 600V MAX (BUILDING WIRING) 1000V MAX (FIXTURES & SIGNS)	DIMENSIONS: mm [INCHES]	TOLERANCES UNLESS OTHERWISE SPECIFIED: 0 PLC ± - 1 PLC ± - 2 PLC ± 0.20[.008] 3 PLC ± - 4 PLC ± - ANGLES ± -	NAME TERMINAL, RING TONGUE, SEALABLE HEAT SHRINKABLE	SIZE A3 CAGE CODE 00779 DRAWING NO C-55858
FOR ORDER ENTRY 1-800-526-5142	THIS DRAWING IS A CONTROLLED DOCUMENT FOR AMP INCORPORATED. IT IS SUBJECT TO CHANGE AND THE CONTROLLING ENGINEERING ORGANIZATION SHOULD BE CONTACTED FOR THE LATEST REVISION.	CIRCULAR MIL AREA: 2.62-6.64² [5180-13100] STRANDED	MATERIAL BODY: ETP COPPER INSULATION: POLYOLEFIN COLOR: YELLOW	FINISH EDP TIN PLATED	APPLICATION SPEC 408-4022	WEIGHT - CUSTOMER DRAWING
					RESTRICTED TO -	SCALE NTS SHEET 1 OF 1 REV D