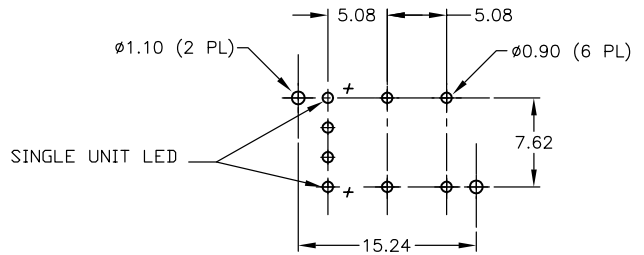
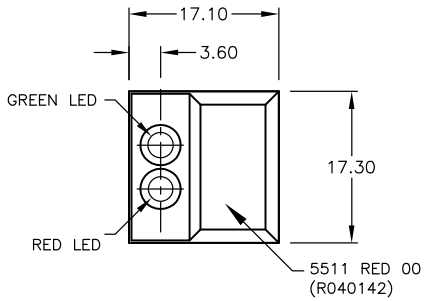
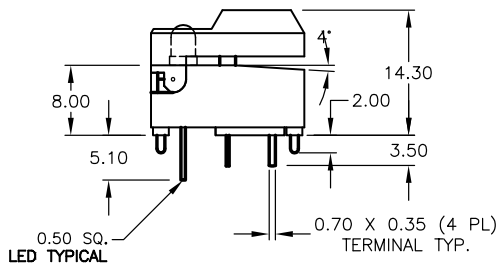


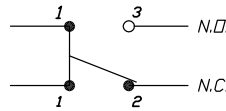
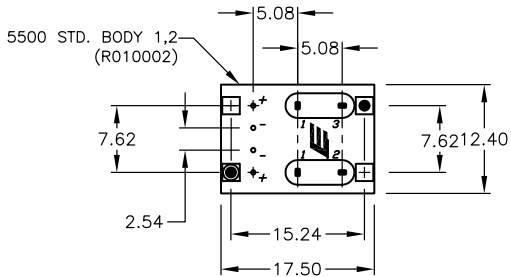
SHEET OF



RECOMMENDED P.C.B. LAYOUT



| LED SPECIFICATION    | SYMBOL          | RED L.E.D |      |      | GREEN L.E.D |      |      | UNITS |
|----------------------|-----------------|-----------|------|------|-------------|------|------|-------|
|                      |                 | MAX.      | MIN. | TYP. | MAX.        | MIN. | TYP. |       |
| POWER DISSIPATION    | P <sub>D</sub>  | 80        | --   |      | 100         | --   |      | mW    |
| FORWARD VOLTAGE      | V <sub>F</sub>  | 2.8       | 1.9  | 2.2  | 2.8         | 1.9  | 2.2  | V     |
| REVERSE VOLTAGE      | V <sub>R</sub>  | 5         |      |      | 5           |      |      | V     |
| EMISSION WAVELENGTH  | λ <sub>P</sub>  |           |      | 695  |             |      | 570  | nm    |
| AVE. FORWARD CURRENT | I <sub>AF</sub> | 30        | --   |      | 30          | --   |      | mA    |
| LUMINOUS INTENSITY   | I <sub>V</sub>  |           |      | 22   |             |      | 15   | mcd   |



CIRCUIT: SPDT  
CONTACT CONFIGURATION

NOTES:

1. ALL DIMENSIONS IN MM
2. GENERAL TOLERANCE: X.X=±0.4  
X.XX=±0.25
3. TERM. NO. FOR REF. ONLY
4. RATING: 12mA @24V
5. FIXED CONTACT/MOVING CONTACT:  
COPPER ALLOY W/GOLD PLATE
6. CONTACT BOUNCE: <5m SEC.
7. CONTACT RESISTANCE: <50milli-OHMS

**E-SWITCH®**

| REV. | ECN No. | DESCRIPTION             | DATE    | CHKD |
|------|---------|-------------------------|---------|------|
| A    | 13962   | RELEASED FOR PRODUCTION | 4/29/04 | AR   |

THE INFORMATION CONTAINED IN THIS DOCUMENT IS PROPRIETARY TO E-SWITCH AND IS NOT TO BE COPIED OR TRANSFERRED

|       |      |    |     |     |                |         |    |         |   |
|-------|------|----|-----|-----|----------------|---------|----|---------|---|
| TITLE |      |    |     |     | 5511MREDREDGRN |         |    |         |   |
| SCALE | DATE | DR | DWG | REV | 1.5:1          | 4/29/04 | AR | XR0235P | A |