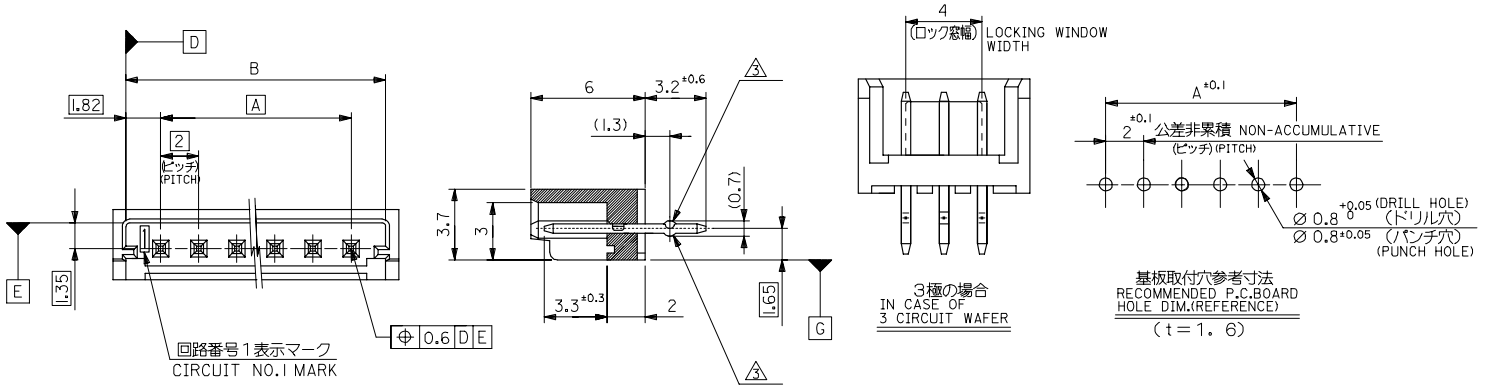


10 9 8 7 6 5 4 3 2 1

F
E
D
C
B
A

F
E
D
C
B
A



注記 NOTES

- 材料 MATERIAL
ウエハー: PBT (ガラス 15% 入り)
WAFER G.F. 15%
UL94V-0
ピン: 黄銅, 錫メッキ
PIN: BRASS, TIN
- 嵌合相手: 52418 シリーズ
MATE WITH: 52418 SERIES
キックは全ピンに交互に付加。
SET KINK ALTERNATELY TO ALL PIN.
- 各部のソリは 0.2MAX.
CAMBER: 0.2MAX.
- 本製品は、53290-**10 の鉛フリー品である。
THIS PRODUCT IS LEAD FREE OF 53290-**10.

- 梱包仕様 PACKAGING
53290-**8* トレー TRAY
53290-**4* ホリ袋 POLYBAG

基板取付穴参考寸法
RECOMMENDED P.C.BOARD
HOLE DIM.(REFERENCE)
(t = 1.6)

REVISED REV B	REV	DESCRIPTION	GENERAL TOLERANCES (UNLESS SPECIFIED)	DIMENSION STYLE MM ONLY	SCALE ---	DESIGN UNITS METRIC	THIRD ANGLE PROJECTION
	2005/02/25	DRW:NAIDA	10 UNDER ±0.2	DRAWN BY J.SASAMO	DATE 2004/8/20	TITLE 2.0 BOARD TO BOARD CONN. WAFER ASS'Y -LEAD FREE- MOLEX INCORPORATED	DOCUMENT NO. SD-53290-004
	2005/02/28	CHKD:KTOJO	10 OVER 30 UNDER ±0.25	CHECKED BY K.TOJO	DATE 2004/8/20		
	2005/03/07	APPR:MIKITA	30 OVER ±0.3	APPROVED BY N.UKITA	DATE 2004/8/20		
		ANGULAR ±3 °	MATERIAL NO.				
DRAFT WHERE APPLICABLE MUST REMAIN WITHIN DIMENSIONS			SEE CHART	THIS DRAWING CONTAINS INFORMATION THAT IS PROPRIETARY TO MOLEX INCORPORATED AND SHOULD NOT BE USED WITHOUT WRITTEN PERMISSION		SHEET NO. 1 OF 2	

10 9 8 7 6 5 4 3 2 1

F
E
D
C
B
A

43	41.64	38	53290-2041	53290-2081	53290-2040	53290-2080	20
41	39.64	36	-1941	-1981	-1940	-1980	19
39	37.64	34	-1841	-1881	-1840	-1880	18
37	35.64	32	-1741	-1781	-1740	-1780	17
35	33.64	30	-1641	-1681	-1640	-1680	16
33	31.64	28	-1541	-1581	-1540	-1580	15
31	29.64	26	-1441	-1481	-1440	-1480	14
29	27.64	24	-1341	-1381	-1340	-1380	13
27	25.64	22	-1241	-1281	-1240	-1280	12
25	23.64	20	-1141	-1181	-1140	-1180	11
23	21.64	18	-1041	-1081	-1040	-1080	10
21	19.64	16	-0941	-0981	-0940	-0980	9
19	17.64	14	-0841	-0881	-0840	-0880	8
17	15.64	12	-0741	-0781	-0740	-0780	7
15	13.64	10	-0641	-0681	-0640	-0680	6
13	11.64	8	-0541	-0581	-0540	-0580	5
11	9.64	6	-0441	-0481	-0440	-0480	4
9	7.64	4	53290-0341	53290-0381	53290-0340	53290-0380	3
C	B	A	MATERIAL NO. COLOR : BLACK 色 : 黒		MATERIAL NO. COLOR : NATURAL (WHITE) 色 : ナチュラル(白)		極数 CKT.

REVISED EC NO. J2005-2460 DRAWN BY DRW:NAIDA 2005/02/28 CHK:KTOJO 2005/02/28 APPR:MIKITA 2005/03/07	GENERAL TOLERANCES (UNLESS SPECIFIED)		DIMENSION STYLE MM ONLY		SCALE ---	DESIGN UNITS METRIC	THIRD ANGLE PROJECTION	
	10 UNDER	±0.2	DRAWN BY J.SASAMO	DATE 2004/8/20	TITLE 2.0 BOARD TO BOARD CONN. WAFER ASS'Y -LEAD FREE- MOLEX INCORPORATED			
	10 OVER 30 UNDER	±0.25	CHECKED BY K.TOJO	DATE 2004/8/20				
	30 OVER	±0.3	APPROVED BY N.UKITA	DATE 2004/8/20				
ANGULAR ±3 °		DRAFT WHERE APPLICABLE MUST REMAIN WITHIN DIMENSIONS		MATERIAL NO. SEE CHART	DOCUMENT NO. SD-53290-004	SHEET NO. 2 OF 2		
				SIZE A3	THIS DRAWING CONTAINS INFORMATION THAT IS PROPRIETARY TO MOLEX INCORPORATED AND SHOULD NOT BE USED WITHOUT WRITTEN PERMISSION			