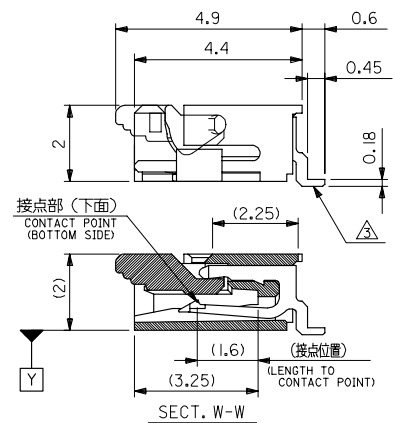
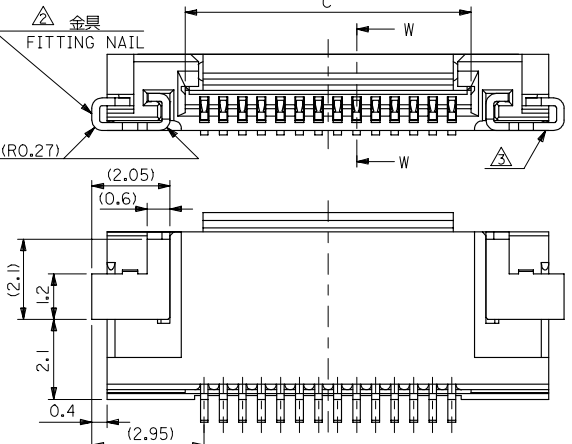
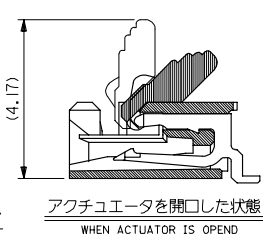
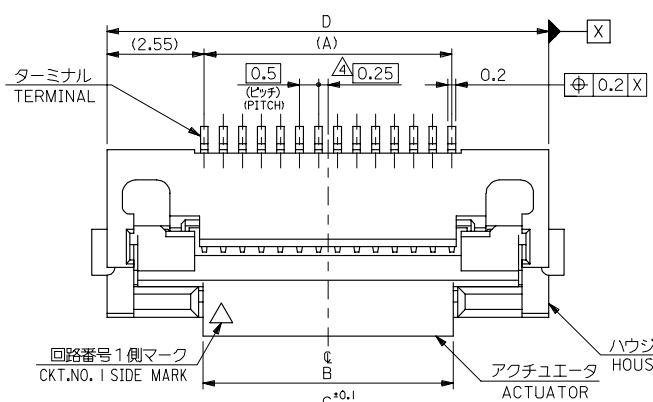


10 9 8 7 6 5 4 3 2 1



注記 NOTES

- I. 使用材料 MATERIAL**
- ハウジング HOUSING : 46ナイロン, UL94V-0 46NYLON
 - アクチュエータ ACTUATOR : PPS, UL94V-0
 - ターミナル TERMINAL : リン青銅 (t=0.2), ニッケル下地銅ヒスマスメッキ PHOS-BRO, TIN-BISMUTH OVER NICKEL PLATED
 - 金具 FITTING NAIL : リン青銅 (t=0.2), ニッケル下地銅ヒスマスメッキ PHOS-BRO, TIN OVER NICKEL PLATED
- △ パターンはくり止め用金具 FITTING NAIL FOR PREVENTION OF PEELING OF P.C.B. PATTERN.
- △ ソルダーテール半田付け面のズレ量、及び金具半田付け面のズレ量は、基準面 Y に対し上方向 0.05MA X、下方向 0.2MA X、とする。 MISALIGNMENT OF SOLDER TAILS AND FITTING NAILS FROM Y UPPER DIRECTION: 0.05 MAX., LOWER DIRECTION: 0.2 MAX.
- △ 偶数種に適用。 APPLY FOR EVEN CIRCUIT.
5. 本製品は52892-**17の鉛フリー品である。 THIS PRODUCT IS LEAD FREE OF 52892-**17

19.6	15.5	14.57	14.5	52892-3019	30
18.6	14.5	13.57	13.5	-2819	28
17.6	13.5	12.57	12.5	-2619	26
16.6	12.5	11.57	11.5	-2419	24
15.6	11.5	10.57	10.5	-2219	22
14.6	10.5	9.57	9.5	-2019	20
14.1	10.0	9.07	9.0	-1919	19
13.6	9.5	8.57	8.5	-1819	18
13.1	9.0	8.07	8.0	-1719	17
12.6	8.5	7.57	7.5	-1619	16
12.1	8.0	7.07	7.0	-1519	15
11.6	7.5	6.57	6.5	-1419	14
11.1	7.0	6.07	6.0	-1319	13
10.6	6.5	5.57	5.5	-1219	12
10.1	6.0	5.07	5.0	-1119	11
9.6	5.5	4.57	4.5	-1019	10
8.6	4.5	3.57	3.5	52892-0819	8
D	C	B	(A)	MATERIAL NO.	種別 CIRCUIT

REVISED IEC NO. J2005-1026 DRWN: JSASADOR 2004/10/06 CHKDK: TOJO 2004/10/07 APPR: NIKITA 2004/10/12	GENERAL TOLERANCES (UNLESS SPECIFIED)		DIMENSION STYLE MM ONLY		SCALE ---	DESIGN UNITS METRIC	THIRD ANGLE PROJECTION
	10 UNDER	±0.2	DRAWN BY M. NABEI	DATE 2004/01/09	TITLE 0.5 FPC CONN ASSY ZIF SMT RA(BTM CONT) E/O -LEAD FREE-		
	10 OVER 30 UNDER	±0.25	CHECKED BY M. SASAO	DATE 2004/01/09	MOLEX INCORPORATED		
	30 OVER	±0.3	APPROVED BY M. SASAO	DATE 2004/01/09	DOCUMENT NO. SD-52892-040		
	ANGULAR	±3 °	MATERIAL NO. 52892-**19		SHEET NO. 1 OF 3		
DRAFT WHERE APPLICABLE MUST REMAIN WITHIN DIMENSIONS		SIZE A3		THIS DRAWING CONTAINS INFORMATION THAT IS PROPRIETARY TO MOLEX INCORPORATED AND SHOULD NOT BE USED WITHOUT WRITTEN PERMISSION			

10 9 8 7 6 5 4 3 2 1

F

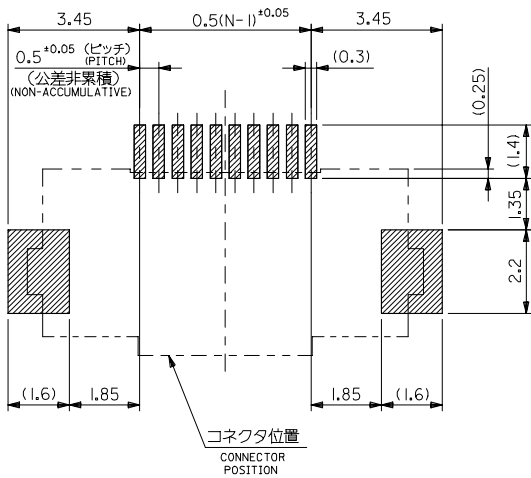
E

D

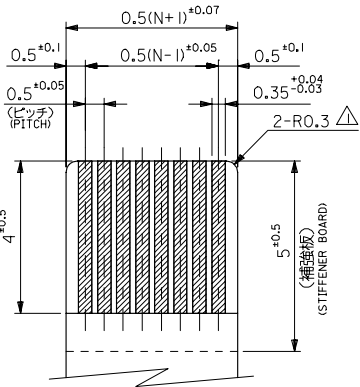
C

B

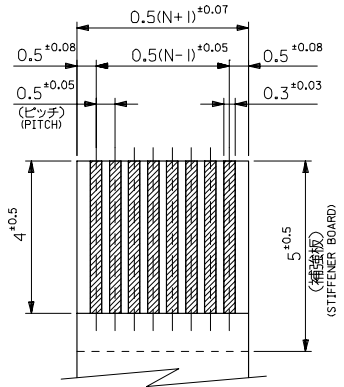
A



参考基板レイアウト
RECOMMENDED P.C. BOARD
PATTERN DIMENSION (REF.)
(MOUNTING SIDE)



適合FPC推奨寸法
APPLICABLE FPC
RECOMMENDED DIMENSION
(仕上がり厚さ: 0.3+0.03)
(THICKNESS: 0.3+0.03)



適合FFC推奨寸法
APPLICABLE FFC
RECOMMENDED DIMENSION
(仕上がり厚さ: 0.3+0.03)
(THICKNESS: 0.3+0.03)

2. FPCについて:
打抜き方向は導体側から補強板側を推奨致します。
補強フィルム材質はポリイミドを推奨致します。
接着剤は熱硬化接着剤を推奨致します。

ABOUT FPC:
RECOMMENDED PUNCHER DIRECTION : FROM CONDUCTOR SIDE TO STIFFENER BOARD SIDE.
RECOMMENDED MATERIAL:
STIFFENER FILM : POLYIMIDE
BONDING AGENT : THERMOSETTING BONDING AGENT

注記 NOTES

△ R.O. 3は、FPCの導体側にかからないこと。
R.O.3 MUST NOT BE OVERLAPPED TO PATTERN OF FPC.

REVISED REV A	IEC NO. J2005-1026	2004/10/06	GENERAL TOLERANCES (UNLESS SPECIFIED)		DIMENSION STYLE MM ONLY		SCALE ---	DESIGN UNITS METRIC	THIRD ANGLE PROJECTION
	DRWN: ISASADOR	2004/10/07	10 UNDER	± 0.2	DRAWN BY M. NABEI	DATE 2004/01/09	TITLE 0.5 FPC CONN ASSY ZIF SMT RA(BTM CONT) E/O -LEAD FREE-		
	CHKDK: TOJO	2004/10/07	10 OVER 30 UNDER	± 0.25	CHECKED BY M. SASAO	DATE 2004/01/09			
	APPR: NIKITA	2004/10/12	30 OVER	± 0.3	APPROVED BY M. SASAO	DATE 2004/01/09	MOLEX INCORPORATED		
	DESCRIPTION		ANGULAR	± 3 °	MATERIAL NO. 52892-**-19	DOCUMENT NO. SD-52892-040			
DRAFT WHERE APPLICABLE MUST REMAIN WITHIN DIMENSIONS			THIS DRAWING CONTAINS INFORMATION THAT IS PROPRIETARY TO MOLEX INCORPORATED AND SHOULD NOT BE USED WITHOUT WRITTEN PERMISSION						

10 9 8 7 6 5 4 3 2 1

F

E

D

C

B

A

F

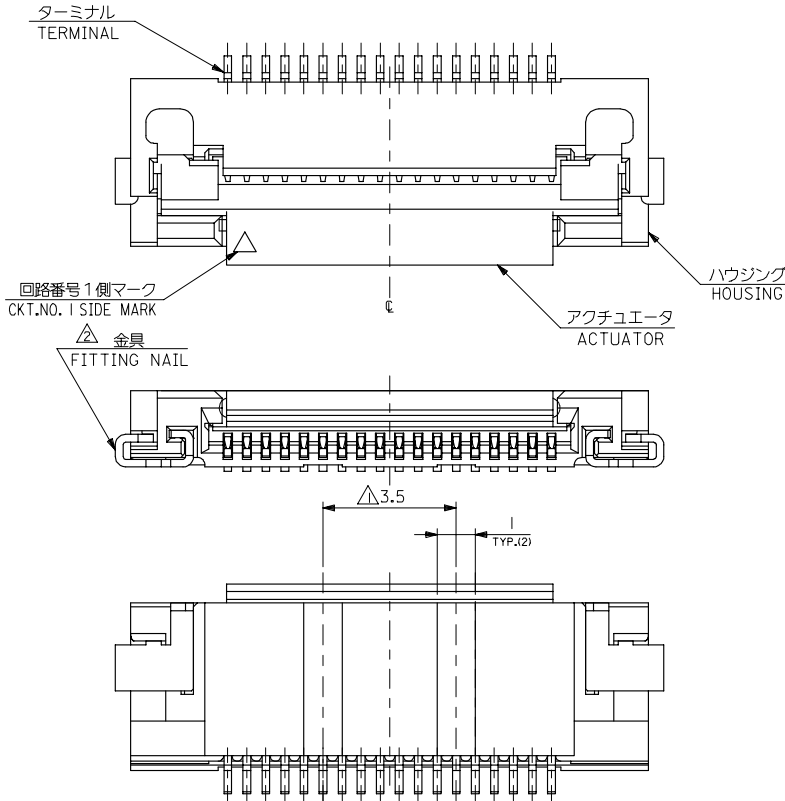
E

D

C

B

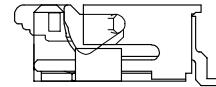
A



金型変更に伴なう形状変更品形状図
APPLY CHANGED FORM AT CHANGED DIE

注記 NOTES

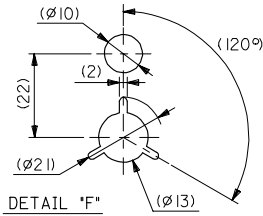
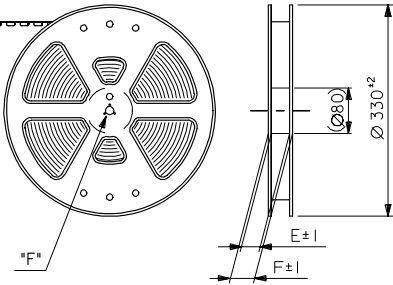
△ 18種以上は2ヶ所、10~16種はハウジングセンター上に1ヶ所とする。
18 CKTS & MORE THAN 18 CKTS PLACED 2 POINT.
10~16 CKTS PLACED 1 POINT ON HOUSING CENTER.



REVISED IEC NO. J2005-1026 DRAWN: ISASANDOR 2004/10/06 CHKDK: TOJO 2004/10/07 APPR: NIKITA 2004/10/12	GENERAL TOLERANCES (UNLESS SPECIFIED)		DIMENSION STYLE MM ONLY		SCALE ---	DESIGN UNITS METRIC	THIRD ANGLE PROJECTION	
	10 UNDER	±0.2	DRAWN BY M. NABEI	DATE 2004/01/09	TITLE 0.5 FPC CONN ASSY ZIF SMT RA(BTM CONT) E/O -LEAD FREE- MOLEX MOLEX INCORPORATED			
	10 OVER 30 UNDER	±0.25	CHECKED BY M. SASAO	DATE 2004/01/09				
	30 OVER	±0.3	APPROVED BY M. SASAO	DATE 2004/01/09				
	ANGULAR	±3 °	MATERIAL NO. 52892-**19		DOCUMENT NO. SD-52892-040	SHEET NO. 3 OF 3		
DRAFT WHERE APPLICABLE MUST REMAIN WITHIN DIMENSIONS		SIZE A3	THIS DRAWING CONTAINS INFORMATION THAT IS PROPRIETARY TO MOLEX INCORPORATED AND SHOULD NOT BE USED WITHOUT WRITTEN PERMISSION					

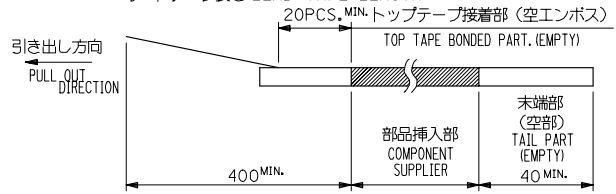
10 9 8 7 6 5 4 3 2 1

引き出し方向
PULL OUT
DIRECTION

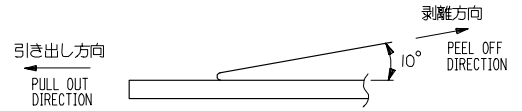


注記 NOTES

- 製品詳細寸法については図面 SD-52892-040 を参照下さい。
RE DETAILED DIMENSION, SEE SD-52892-040
- 梱包数量：1000個/リール
NUMBER OF CONNECTORS : 1000PCS/REEL
- リードテープ長さ LEAD TAPE LENGTH



- トップテープの剥離強度： 0.1N ~ 1.3N(10 ~ 130gf)
(剥離方向は下図参照)
尚、本規格値は出荷時に適用。(但し、輸送時に剥離が発生しないこと。)
PEELING OFF FORCE OF TOP TAPE : 0.1N ~ 1.3N(10 ~ 130gf)
(PEELING DIRECTION AS SHOWN IN FOLLOWING FIG.)
THIS REQUIREMENT SHOULD BE APPLIED AT SHIPMENT.
PEEL OFF SHOULD NOT BE ALLOWED , DURING TRANSPORTATION.

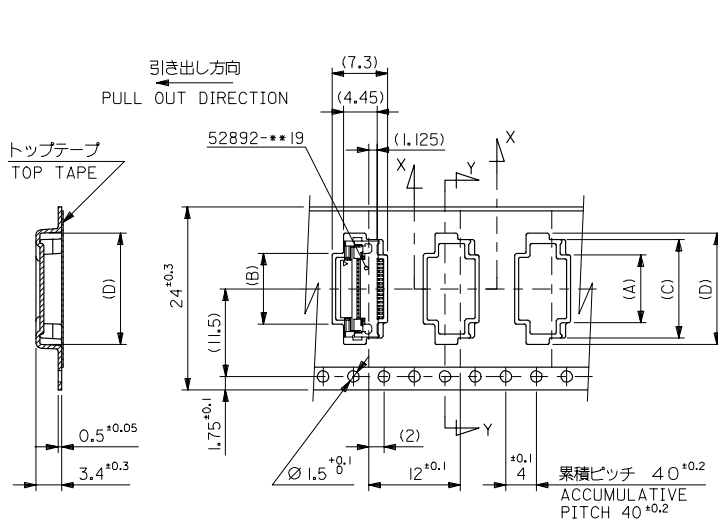


- 材料(MATERIAL)
キャリアテープ(CARRIER TAPE) : ポリプロピレン(POLYPROPYLENE)
トップテープ(TOPTAPE) : PET , PE , PEF
リール(REEL) : ポリスチレン (PS) <リサイクル材を含む>
POLYSTYRENE (PS) <RECYCLE MATERIAL CONTAINED>
- 本製品は52892-**-**90の鉛フリー品である。
THIS PRODUCT IS LEAD FREE OF 52892-**-**90

REVISED IEC NO. J2005-1026 DRWN: ISASANDR CHKDK: TOJO APPR: NIKITA 2004/10/06 2004/10/07 2004/10/12	GENERAL TOLERANCES (UNLESS SPECIFIED)		DIMENSION STYLE MM ONLY		SCALE ---	DESIGN UNITS METRIC	THIRD ANGLE PROJECTION
	10 UNDER	±0.2	DRAWN BY M. NABE1	DATE 2004/01/09	TITLE EMBOSSED TAPE PACKAGE FOR 0.5 FPC CONN. -LEAD FREE-		
	10 OVER 30 UNDER	±0.25	CHECKED BY M. SASAO	DATE 2004/01/09			
	30 OVER	±0.3	APPROVED BY M. SASAO	DATE 2004/01/09	MOLEX INCORPORATED DOCUMENT NO. SD-52892-041		
ANGULAR	±3	MATERIAL NO. 52892-**-**95	SHEET NO. 1 OF 2				
DRAFT WHERE APPLICABLE MUST REMAIN WITHIN DIMENSIONS			SIZE A3	THIS DRAWING CONTAINS INFORMATION THAT IS PROPRIETARY TO MOLEX INCORPORATED AND SHOULD NOT BE USED WITHOUT WRITTEN PERMISSION			

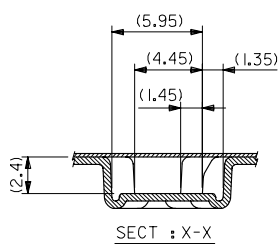
10 9 8 7 6 5 4 3 2 1

F
E
D
C
B
A

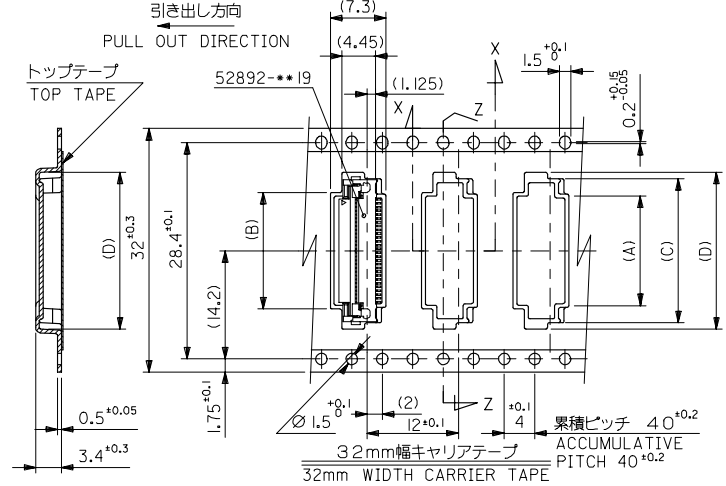


SECT : Y-Y

24mm幅キャリアテープ
24mm WIDTH CARRIER TAPE



SECT : X-X



SECT : Z-Z

32mm幅キャリアテープ
32mm WIDTH CARRIER TAPE

キャリアテープ幅 CARRIER TAPE WIDTH	F	E	(D)	(C)	(B)	(A)	MATERIAL NO.	極致 CIRCUIT
32	21.6	19.9	16.1	15.9	52892-3095	30		
	20.6	18.9	15.1	14.9	-2895	28		
	19.6	17.9	14.1	13.9	-2695	26		
	18.6	16.9	13.1	12.9	-2495	24		
	17.6	15.9	12.1	11.9	-2295	22		
	16.6	14.9	11.1	10.9	-2095	20		
	16.1	14.4	10.6	10.4	-1995	19		
	15.6	13.9	10.1	9.9	-1895	18		
	15.1	13.4	9.6	9.4	-1795	17		
	14.6	12.9	9.1	8.9	-1695	16		
24	14.1	12.4	8.6	8.4	-1595	15		
	13.6	11.9	8.1	7.9	-1495	14		
	13.1	11.4	7.6	7.4	-1395	13		
	12.6	10.9	7.1	6.9	-1295	12		
	12.1	10.4	6.6	6.4	-1195	11		
	11.6	9.9	6.1	5.9	-1095	10		
	10.6	8.9	5.1	4.9	52892-0895	8		

REVISED IEC NO. J2005-1026 DRWN: JSASANDR CHKDK: TOJO APPR: NIKITA 2004/10/06 2004/10/07 2004/10/12	GENERAL TOLERANCES (UNLESS SPECIFIED)	DIMENSION STYLE MM ONLY	SCALE ---	DESIGN UNITS METRIC	THIRD ANGLE PROJECTION	
	10 UNDER ±0.2	DRAWN BY M. NABEI	DATE 2004/01/09	TITLE EMBOSSD TAPE PACKAGE FOR 0.5 FPC CONN. -LEAD FREE-		
	10 OVER 30 UNDER ±0.25	CHECKED BY M. SASAO	DATE 2004/01/09	MOLEX INCORPORATED		
	30 OVER ±0.3	APPROVED BY M. SASAO	DATE 2004/01/09	MATERIAL NO. 52892-***95	DOCUMENT NO. SD-52892-041	SHEET NO. 2 OF 2
	ANGULAR ±3	DRAFT WHERE APPLICABLE MUST REMAIN WITHIN DIMENSIONS		THIS DRAWING CONTAINS INFORMATION THAT IS PROPRIETARY TO MOLEX INCORPORATED AND SHOULD NOT BE USED WITHOUT WRITTEN PERMISSION		

10 9 8 7 6 5 4 3 2 1