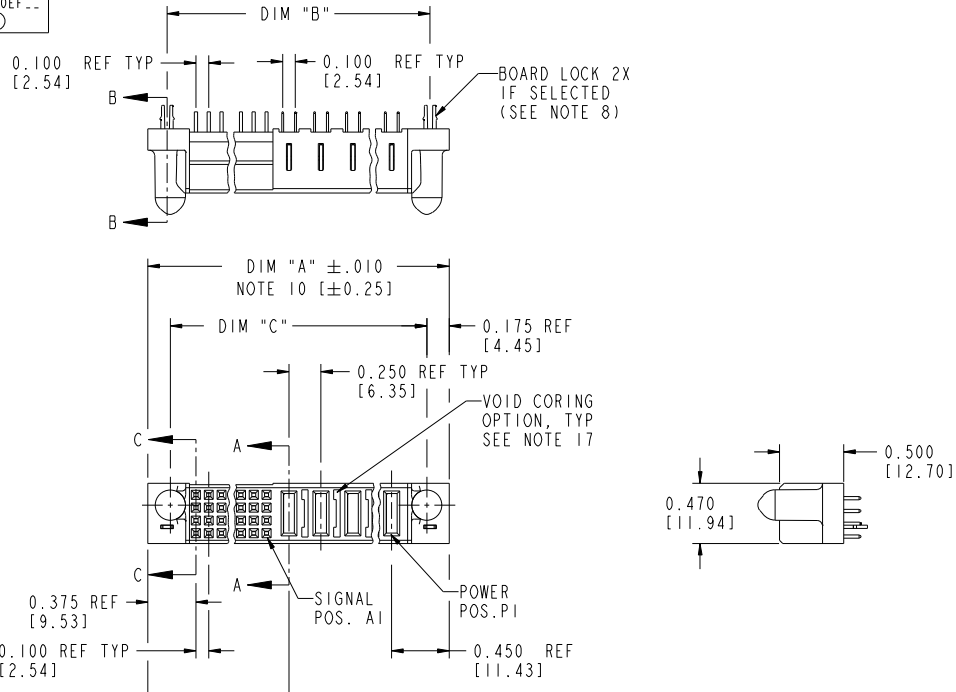


Tous droits strictement réservés. Reproduction ou communication à des tiers interdite sans autorisation écrite du propriétaire. Property of FCI. Droits de reproduction FCI.



All rights strictly reserved. Reproduction or issue to third parties in any form or by any means without written authority from the proprietor. Property of FCI. Copyright FCI.

PRODUCT NUMBER  
51742-ABBCC00EF...  
NOTE: ①



mat'l code		SEE NOTE 2	tolerances unless otherwise specified	CUSTOMER	FCI
lfr	ecn no.	dr	date	COPY	www.fciconnect.com
H	D605-0132	SJ	06/02/05	projection	title
J	D605-0153	SJ	06/10/05	linear .XX±.01/0.X±0.3	VERTICAL RECEPTACLE W/GUIDE PIN
K	D606-0362	JULIA	08/30/06	angles .XXX±.005/0.XX±0.13	POWER / SIGNAL
L	D608-0239	JC	09/11/08	angles .XXX±.0020/ .XXX±.051	product family
				INCH/MM	PWRBLADE
				scale	code
				1:1	213
sheet index	revision sheet	L	L	A	1 of 3
		1	2	51742	

Pro/E 3 coge code 22526 4

Tous droits strictement réservés. Reproduction ou communication à des tiers interdite sans autorisation écrite du propriétaire. Property of FCI. Droit de reproduction FCI.

All rights strictly reserved. Reproduction or issue to third parties in any form or by any means without written authority from the proprietor. Property of FCI. Copyright FCI.

PRODUCT NUMBER  
51742-ABBCC00EF...  
NOTE: ①

DIM	LENGTH FORMULAS (SEE NOTE 10)
DIM "A"	.100 [2.54] x (CCC/4) + .250 [6.35] x BB + .650 [16.51] (NOTE 10)
DIM "B"	.100 [2.54] x (CCC/4) + .250 [6.35] x BB + .350 [8.89]
DIM "C"	.100 [2.54] x (CCC/4) + .250 [6.35] x BB + .300 [7.62]
DIM "E"	.100 [2.54] x (CCC/4) + .450 [11.43]
DIM "F"	.100 [2.54] x (CCC/4) + .250 [6.35] x BB + .680 [17.27]
DIM "H"	.100 [2.54] x (CCC/4) + .250 [6.35]

CONNECTOR NOTES

- PRODUCT NUMBER CODE:  
51742 - A BB CCC 00 E F LF  
    - NO THIS SUFFIX: 100µ"/2.54µm SnPb ON PCB INTERFACE
    - ADD THIS SUFFIX: 78µ"/2.00µm Sn ON PCB INTERFACE
    - RETENTION TO PCB (NOTE 8)
    - TAIL OPTIONS (NOTE 7)
    - ALWAYS '00' (ZERO, ZERO) (NOTE 6)
    - NUMBER OF SIGNAL CONTACTS (NOTE 5)
    - NUMBER OF RIGHT POWER CONTACTS (NOTE 4)
    - PLATING (NOTE 3)
    - BASE NUMBER
  - HOUSING MATERIAL: GLASS FILLED V-O HIGH TEMP THERMO PLASTIC.  
SIGNAL CONTACT MATERIAL: COPPER ALLOY  
POWER CONTACT MATERIAL: COPPER ALLOY
  - PLATING OPTION:  
SEE PRINT 10064183 FOR PLATING SPEC OF 51742-1BBCC00EF; 51742-1BBCC00EFLF
  - RIGHT END POWER CONTACT, 01 TO 20 AVAILABLE.  
MAXIMUM OF 20 POWER CONTACTS PER CONNECTOR.
  - SIGNAL CONTACTS, 004 TO 148 AVAILABLE.
  - THIS PART NOT AVAILABLE WITH LEFT SIDE POWER CONTACTS.
  - TAIL OPTIONS:  
A = .135 ± .010 [3.43 ± .25] SOLDER TO BOARD  
C = .135 ± .010 [3.43 ± .25] PRESS FIT
  - RETENTION TO PCB OPTIONS:  
A = BOARD LOCK (REQUIRES .098 ± .002, -.001 [2.49 + 0.05, -0.03] THRU HOLE IN PCB) (NOT AVAILABLE WITH PRESS FIT).  
BOARD LOCK TO BE USED IN CONJUNCTION WITH AN .092 PCB OR THICKER.  
C = NO RETENTION FEATURE (ALL PRESS FIT).
  - MANUFACTURE'S NAME, P/N, AND DATE CODE TO APPEAR ON THIS SURFACE.
  - THE MAXIMUM OVERALL LENGTH (DIM A) OF A PART IS 8.00 [203.2].
  - PRODUCT SPECIFICATION GS-12-149.
  - REFERENCE 51698 FOR SPECIALS WORKSHEET.
- PCB NOTES:
- ALL DIMENSIONS ARE BASIC UNLESS OTHERWISE SPECIFIED.
  - ALL THROUGH HOLES ARE LOCATED WITH A TRUE POSITION OF .004 [0.01]
  - ALL HOLE DIAMETERS ARE FINISHED HOLE SIZE.
  - 0.0453 ± .001 [1.151 ± .02] DRILLED HOLES PLATED WITH 0.0003 [0.007] MIN SnPb OVER 0.001 [1.03] TO .003 [0.08] PLATING TO ACHIEVE A .040 ± .003 [1.02 ± .08] HOLE.
  - THE VOID CORING IN BETWEEN POWER MODULES, SIGNAL MODULES AND END MODULES ARE OPTIONAL AND THE SHAPE MAY BE DIFFERENT FOR OPTIMIZING THE MOLDING PROCESS. THE VOID CORING WILL NOT EFFECT TO PRODUCT FUNCTION.
  - A ⚠ SYMBOL WILL BE NEXT TO ANY DIMENSION, VIEW, OR NOTE WHICH HAS BEEN MODIFIED WITH THE CURRENT DRAWING REVISION.

mal't code				SEE NOTE 2		tolerances unless otherwise specified		CUSTOMER	
lir	ecn no.	dr	date	linear	.XX±.01/0.X±0.3	projection	⊕	COPY	FCI
L				angles	.XXX±.005/0.XX±0.13	INCH/MM	1:1	www.fciconnect.com	
				eng	.XXX±.002/0.XX±.051	scale	A	product family	PWRBLADE
				chr	0° ± 2°	size	51742	code	213
				appd	D. EATON 05-25-99	sheet	2 of 3		
					J. BROWN 05-24-99				
					J. BROWN 05-26-99				
					J. BROWN 05-26-99				
sheet index	revision sheet								

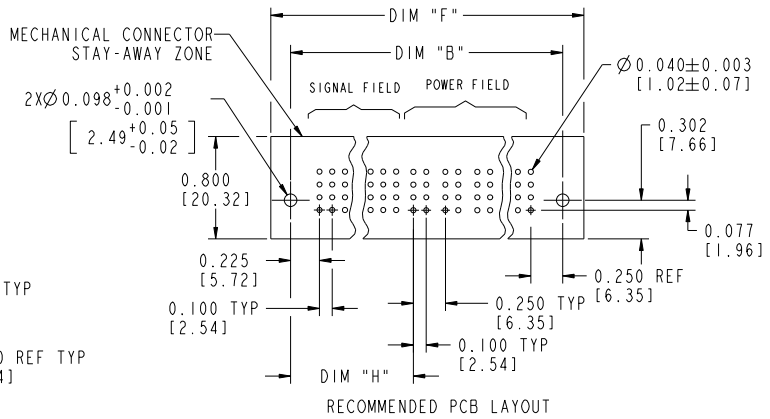
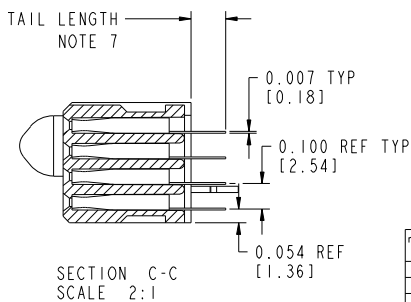
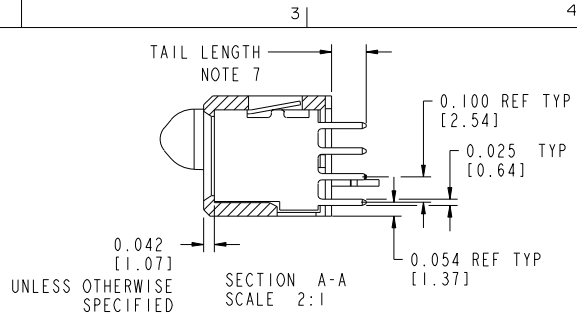
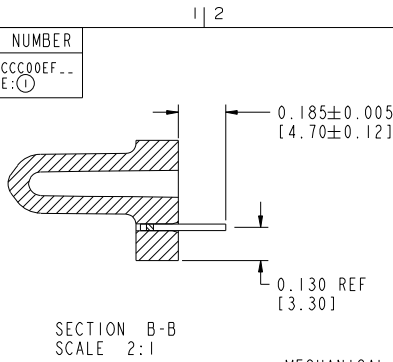
1 | 2 | Pro/E | 3 | code code 22526 | 4

Tous droits strictement réservés. Reproduction ou communication à des tiers interdite sans autorisation écrite du propriétaire. Property of FCI. Droit de reproduction FCI.



All rights strictly reserved. Reproduction or issue to third parties in any form or by any means without written authority from the proprietor. Property of FCI. Copyright FCI.

PRODUCT NUMBER  
51742-ABBCC00EF...  
NOTE: ①



mal't code		SEE NOTE 2	tolerances unless otherwise specified	CUSTOMER	FCI	www.fciconnect.com
ltr	ecn no.	dr	date	COPY	projection	title
L					1	VERTICAL RECEPTACLE W/GUIDE PIN POWER / SIGNAL
					INCH/MM	product family
					scale	PWRBLADE
					1:1	code
						213
						sheet
						3 of 3
sheet index	revision sheet					

Pro/E

cage code 22526

PDM: Rev:L

STATUS:Released

Printed: Dec 20, 2010