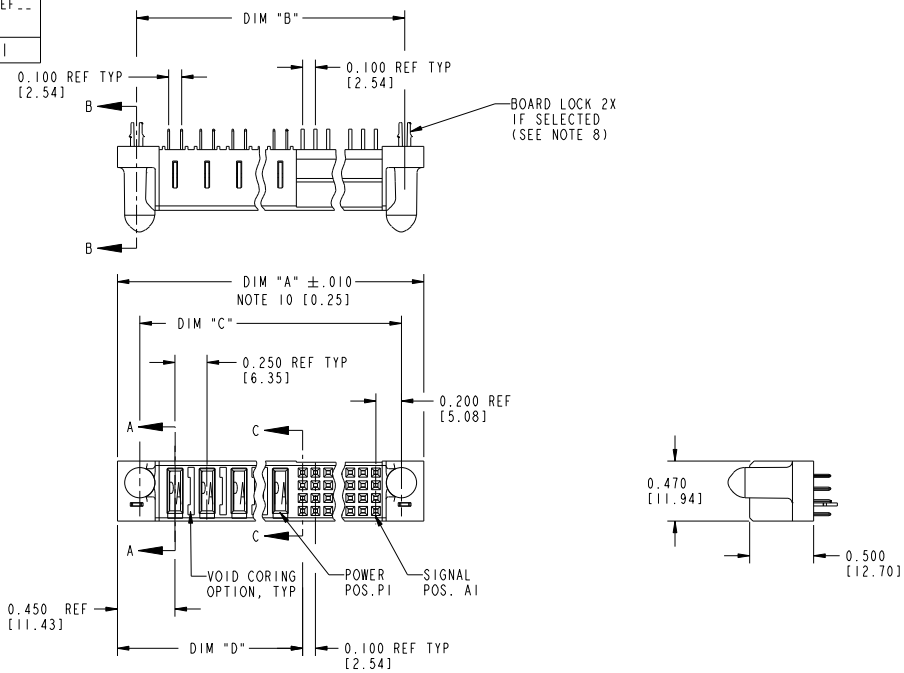


Tous droits strictement réservés. Reproduction ou communication à des tiers interdite sans autorisation écrite du propriétaire. Property of FCI. Droits de reproduction FCI.



All rights strictly reserved. Reproduction or issue to third parties in any form or by any means without written authority from the proprietor. Property of FCI. Copyright FCI.

PRODUCT NUMBER
51741-A00CCDDEF... NOTE 1
SEE NOTE 1



mat'l code	SEE NOTE 2	tolerances unless otherwise specified	CUSTOMER	www.fciconnect.com					
itr	ecn no.	dr	date		COPY				
H	DG05-0076	SW	04/11/05	linear	projection		title VERTICAL RECEPTACLE W/ GUIDE PIN SIGNAL / POWER		
J	DG05-0153	SJ	06/09/05	.XX±.01/0.X±0.3					
K	DG05-0479	CS	11/18/05	.XXX±.005/0.XX±0.13			product family size PWRBLADE		
L	DG08-0239	JC	09/11/08	angles 0°±2°	INCH/MM			code 213	
				dr	eng.	D. EATON	05-25-99	product family size 51741	
				chr	J. BROWN	05-24-99	05-24-99		sheet 1 of 3
				appd	J. BROWN	05-26-99	05-26-99		
sheet index	revision sheet	L	L	L					
		1	2	3					

Pro/E

code code 22526

PDM: Rev:L

STATUS:Released

Printed: Dec 20, 2010

Tous droits strictement réservés. Reproduction ou communication à des tiers interdite sans la permission écrite du propriétaire. Property of FCJ. Droit de reproduction FCJ.



All rights strictly reserved. Reproduction or issue to third parties in any form or by any means without written authority from the proprietor. Property of FCJ. Copyright FCJ.

PRODUCT NUMBER	DIM	LENGTH FORMULAS (SEE NOTE 10)
51741-A00CCDDEF... NOTE ①	DIM "A"	.250 [6.35] x DD + .100 [2.54] x (CCC/4) + .650 [16.51] (NOTE 10)
SEE NOTE 1	DIM "B"	.250 [6.35] x DD + .100 [2.54] x (CCC/4) + .350 [8.89]
	DIM "C"	.250 [6.35] x DD + .100 [2.54] x (CCC/4) + .300 [7.62]
	DIM "D"	.250 [6.35] x DD + .375 [9.53]
	DIM "F"	.250 [6.35] x DD + .100 [2.54] x (CCC/4) + .680 [17.27]
	DIM "G"	.250 [6.35] x DD + .225 [5.72]

CONNECTOR NOTES

- ①. PRODUCT NUMBER CODE:
51741 - A 00 CCC DD E F LF
 - A - NO THIS SUFFIX: 100u"/72.54um SnPb ON PCB INTERFACE
 - 0 - ADD THIS SUFFIX: 78u"/2.00um Sn ON PCB INTERFACE
 - CCC - RETENTION TO PCB (NOTE 8)
 - DD - TAIL OPTIONS (NOTE 7)
 - E - NUMBER OF LEFT END POWER CONTACTS (NOTE 6)
 - F - NUMBER OF SIGNAL CONTACTS (NOTE 5)
 - LF - ALWAYS "00" (ZERO, ZERO) (NOTE 4)
 - PLATING (NOTE 3)
 - BASE NUMBER
- ②. HOUSING MATERIAL: GLASS FILLED V-O HIGH TEMP THERMO PLASTIC.
SIGNAL CONTACT MATERIAL: COPPER ALLOY
POWER CONTACT MATERIAL: COPPER ALLOY
- ③. PLATING OPTION:
1 = SEE PRINT 10064183 FOR PLATING SPEC OF 51741-100CCDDEF; 51741-100CCDDEF LF
- ④. THIS PART NOT AVAILABLE WITH RIGHT SIDE POWER CONTACTS.
- ⑤. SIGNAL CONTACTS, 004 TO 148 AVAILABLE.
- ⑥. LEFT END POWER CONTACTS, 01 TO 20 AVAILABLE.
MAXIMUM OF 20 POWER CONTACTS PER CONNECTOR.
- ⑦. TAIL OPTIONS:
A - .135±.010 [3.43±.25] SOLDER TO BOARD
C - .135±.010 [3.43±.25] PRESS FIT

- ⑧. RETENTION TO PCB OPTIONS:
A = BOARD LOCK (REQUIRES .098 + .002, -.001 [2.49 +0.05, -0.03] THRU HOLE IN PCB)
BOARD LOCK TO BE USED IN CONJUNCTION WITH AN .092 PCB OR THICKER.
C = NO RETENTION FEATURE (ALL PRESS FIT).
 - ⑨. MANUFACTURE'S NAME, P/N, AND DATE CODE TO APPEAR ON THIS SURFACE.
 - ⑩. THE MAXIMUM OVERALL LENGTH (DIM A) OF A PART IS 8.00 [203.2].
 11. PRODUCT SPECIFICATION GS-12-149.
 12. REFERENCE 51698 FOR SPECIALS WORKSHEET.
- PCB NOTES:
13. ALL DIMENSIONS ARE BASIC UNLESS OTHERWISE SPECIFIED.
 14. ALL THROUGH HOLES ARE LOCATED WITH A TRUE POSITION OF .004 [0.01]
 15. ALL HOLE DIAMETERS ARE FINISHED HOLE SIZE.
 16. 0.0453±.001 [1.151±.02] DRILLED HOLES PLATED WITH 0.0003 [0.007] MIN SnPb OVER 0.001 [1.03] TO .003 [0.08] PLATING TO ACHIEVE A .040 ±.003 [1.02 ±.08] HOLE.
 17. A Δ SYMBOL WILL BE NEXT TO ANY DIMENSION, VIEW, OR NOTE WHICH HAS BEEN MODIFIED WITH THE CURRENT DRAWING REVISION.

mal'1 code		SEE NOTE 2	tolerances unless otherwise specified	CUSTOMER	FCJ	www.fcjconnect.com
ltr	ecn no.	dr	date	COPY	title	
L				projection	VERTICAL RECEPTACLE W/ GUIDE PIN SIGNAL / POWER	
				INCH/MM	product family	PWRBLADE
				scale	size	code
				1:1	51741	213
sheet index	revision sheet					sheet 2

1 | 2

Pro/E

3 |

cage code 22526

4

PDM: Rev:L

STATUS:Released

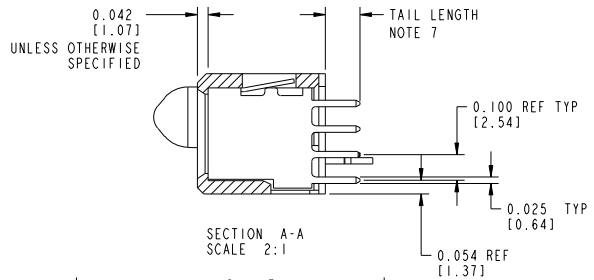
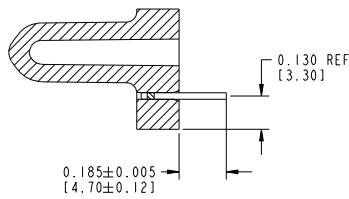
Printed: Dec 20, 2010

Tous droits strictement réservés. Reproduction ou communication à des tiers interdite sans la permission écrite du propriétaire. Property of FCJ. Droit de reproduction FCJ.



All rights strictly reserved. Reproduction or issue to third parties in any form or by any means without written authority from the proprietor. Property of FCJ. Copyright FCJ.

PRODUCT NUMBER
51741-A00CCDDEF... NOTE 1
SEE NOTE 1



SECTION B-B
SCALE 2:1

SECTION A-A
SCALE 2:1

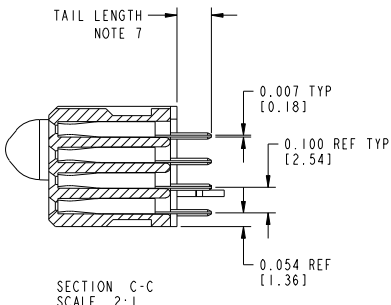
MECHANICAL CONNECTOR
STAY-AWAY ZONE

2X $\varnothing 0.098^{+0.002}_{-0.001}$
[2.49^{+0.05}_{-0.02}]

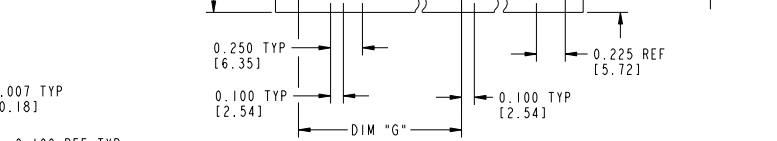
POWER FIELD

SIGNAL FIELD

$\varnothing 0.040 \pm 0.003$
[1.02 ± 0.07]



SECTION C-C
SCALE 2:1



RECOMMENDED PCB LAYOUT

mal'1 code		SEE NOTE 2	tolerances unless otherwise specified	CUSTOMER	www.fciconnect.com
ltr	ecn no.	dr	date	COPY	
L				projection	title
					VERTICAL RECEPTACLE W/ GUIDE PIN SIGNAL / POWER
					product family
				size	code
				dwg no	213
				scale	sheet
				1:1	3
sheet index	revision sheet				

Pro/E

cage code 22526

PDM: Rev:L

STATUS:Released

Printed: Dec 20, 2010