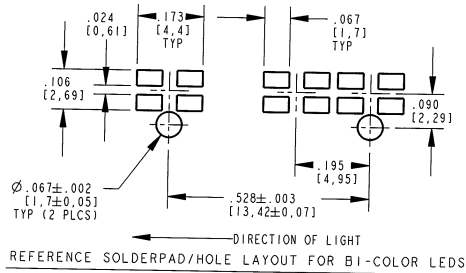
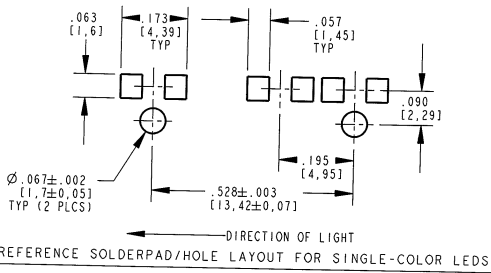
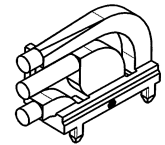
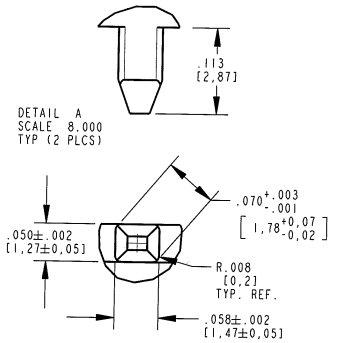
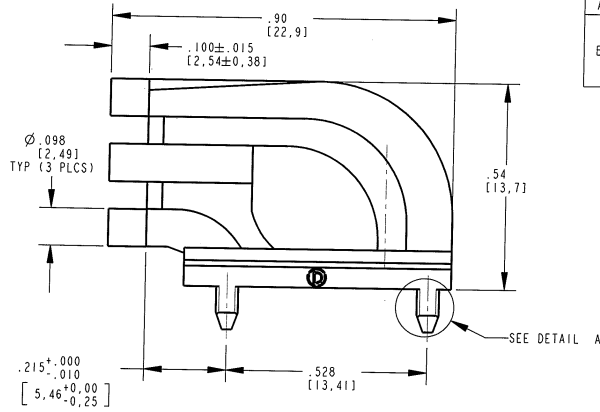
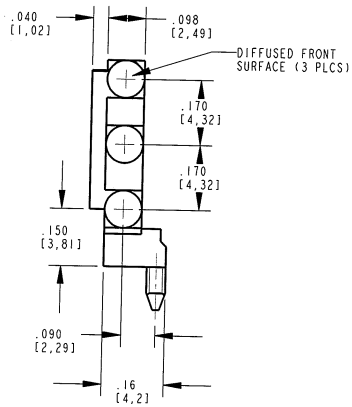


REV	ECN NO	REVISIONS	DRN	CKD	APP	DATE
A		NEW RELEASE	KLJ	N.O.	MES	11-28-07
B		REMOVED MOUNTING POST NOTE, ADDED DETAIL A VIEW. ADDED POST X-SEC DIMENSIONS. MOVED POST LENGTH DIMENSION TO DETAIL A VIEW.	KLJ			1-4-08



RoHS Compliant 515-1064F

Part Numbers with the "F" suffix ending are RoHS Compliant. The bag packaging is marked with "RoHS Compliant" label or equivalent markings.

NOTES:

- COMPONENTS TO BE MOLDED IN A CLEAR TRANSMISSIVE POLYCARBONATE (UL 94V-0 FLAMMABILITY CLASS).
- COMPONENTS DESIGNED TO BE PRESSED INTO P.C. BOARD.
- RECOMMENDED LIGHT SOURCES: SINGLE OR BI-COLOR SMT LEADS (DIALIGHT P/N'S: 597-7XXX-507 OR 597-3XXX-507).
- DIALIGHT PART NUMBER: 515-1064F.

THIS DRAWING AND THE CONTENTS HEREIN ARE CONFIDENTIAL AND THE SOLE PROPERTY OF DIALIGHT. REPRODUCTION OF THIS DRAWING OR CONSTRUCTION OF ANY PARTS WITHIN THIS DRAWING ARE FORBIDDEN WITHOUT THE WRITTEN CONSENT OF DIALIGHT.		
SCALE: 4.000	DRAWING NUMBER C-17574	REV B
ALL DIM'S IN: INCHES (MM)	TITLE LIGHT PIPE 2.5mm TRI-LEVEL (ROHS COMPLIANT)	
TOLERANCES: UNLESS OTHERWISE SPECIFIED	MATERIAL	
FRACTIONS: ±1/64	Dialight	
DECIMALS (.XX): ±.01	1501 ROUTE 34 SOUTH FARMINGDALE, NJ 07727	
DECIMALS (.XXX): ±.005	FSCM 83330	
DECIMALS (.XXXX): ±.0005	SHEET 1 OF 1 FAMILY TABLE:	
ANGLES: ±1°		