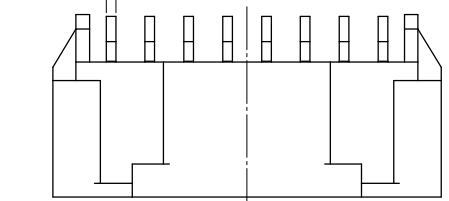
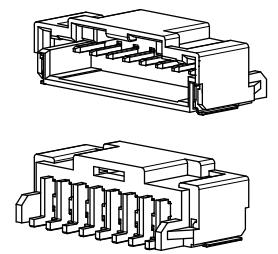
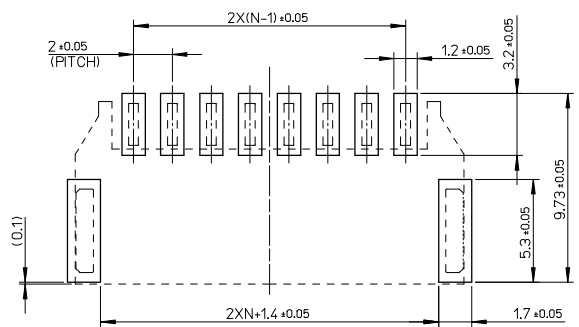
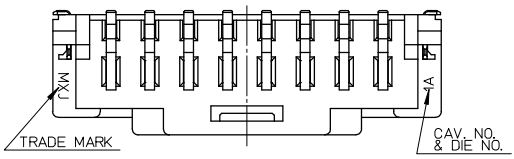
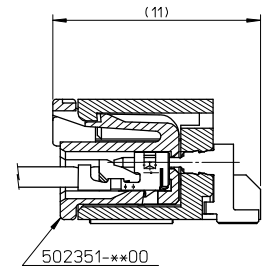
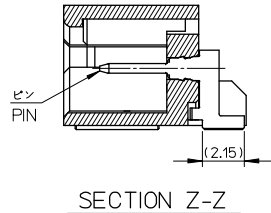
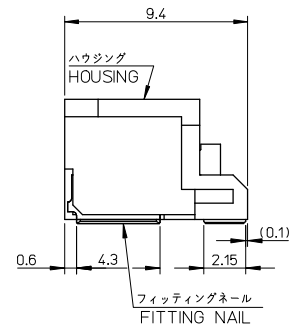
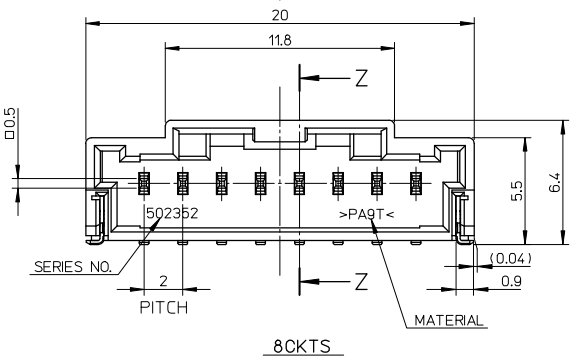


10 9 8 7 6 5 4 3 2 1



参考基板取り付け寸法(N=極数)



嵌合寸法

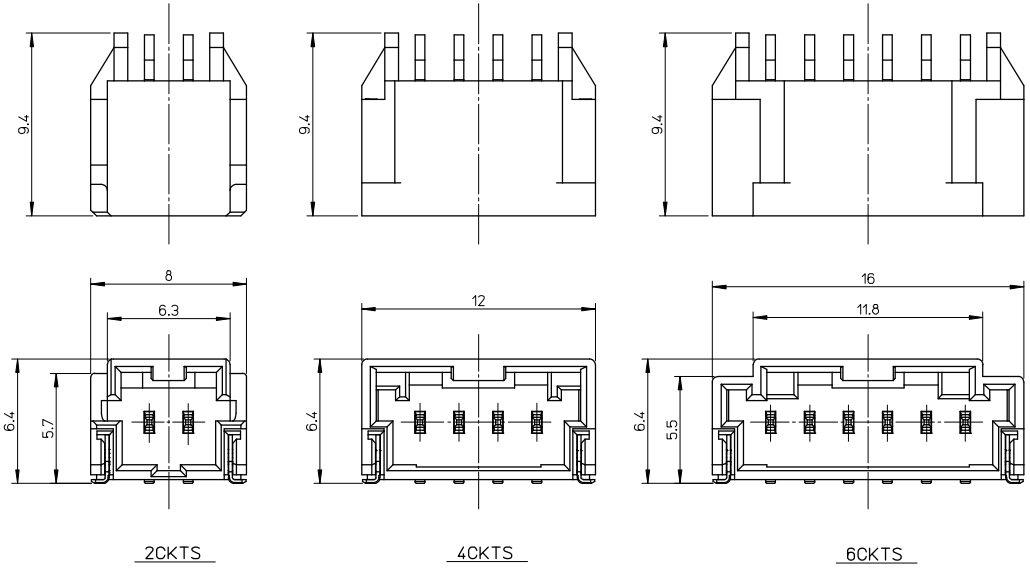
注記 NOTES

- 材質
ハウジング: 耐熱性ナイロン
ピン、フィッティングネール: 銅合金、ニッケル下地、錫メッキ
MATERIAL
HOUSING: POLYAMIDE
PIN, FITTING NAIL: COPPER ALLOY, TIN OVER NICKEL PLATE.
- 色: ナチュラル
COLOR: NATURAL
- 嵌合相手: 502351シリーズ
MATES WITH 502351 SERIES.
- エッポス梱包品の詳細はSD-502352-002参照
DETAILED TAPING PACKAGE, SEE SD-502352-002.
- ELV及びRoHS適合
ELV AND RoHS COMPLIANT

502352-0808	8
502352-0608	6
502352-0408	4
502352-0208	2
MATERIAL NO.	CKTS

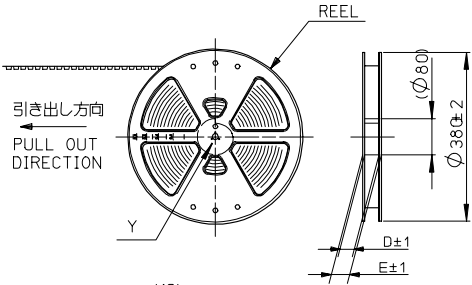
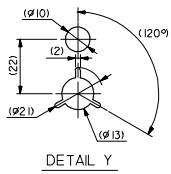
RELEASED EC NO: JTR2008-0007 DRW: SHISHIBATA 2008/01/23 CHK: HOKOMATSU 2008/01/23 APPR: AKANESHIGE 2008/01/23	GENERAL TOLERANCES (UNLESS SPECIFIED) 10 UNDER ± 0.2 10 OVER 30 UNDER ± 0.25 30 OVER ± 0.3 ANGULAR ± 3 ° DRAFT WHERE APPLICABLE MUST REMAIN WITHIN DIMENSIONS		DIMENSION STYLE MM ONLY DRAWN BY SHISHIBATA DATE 2007/12/18 CHECKED BY HKOMATSU DATE 2007/12/18 APPROVED BY AKANESHIGE DATE 2007/12/18 MATERIAL NO. SEE CHART		SCALE 5:1 DESIGN UNITS METRIC THIRD ANGLE PROJECTION	TITLE 2.0MM PITCH W/B CONN. WAFER ASSY R/A SMT MOLEX INCORPORATED DOCUMENT NO. SD-502352-001 SHEET NO. 1 OF 2
	THIS DRAWING CONTAINS INFORMATION THAT IS PROPRIETARY TO MOLEX INCORPORATED AND SHOULD NOT BE USED WITHOUT WRITTEN PERMISSION					
	SIZE A3					
	EN-02DA(021)					

10 9 8 7 6 5 4 3 2 1



RELEASED EC NO: JTR2008-0007 DRW: SHIBATA 2008/01/23 CHK: HKOMATSU 2008/01/23 APPR: KANESHIGE 2008/01/23	GENERAL TOLERANCES (UNLESS SPECIFIED)		DIMENSION STYLE MM ONLY	SCALE 5:1	DESIGN UNITS METRIC	THIRD ANGLE PROJECTION
	10 UNDER	±0.2	DRAWN BY SHIBATA	DATE 2007/12/18	TITLE 2.0MM PITCH W/B CONN. WAFA ASSY R/A SMT	
	10 OVER 30 UNDER	±0.25	CHECKED BY HKOMATSU	DATE 2007/12/18	MOLEX INCORPORATED DOCUMENT NO. SD-502352-001 SHEET NO. 2 OF 2	
	30 OVER	±0.3	APPROVED BY KANESHIGE	DATE 2007/12/18		
ANGULAR	±3 °	MATERIAL NO. SEE CHART		THIS DRAWING CONTAINS INFORMATION THAT IS PROPRIETARY TO MOLEX INCORPORATED AND SHOULD NOT BE USED WITHOUT WRITTEN PERMISSION		
DRAFT WHERE APPLICABLE MUST REMAIN WITHIN DIMENSIONS						

10 9 8 7 6 5 4 3 2 1

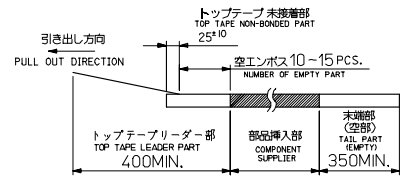
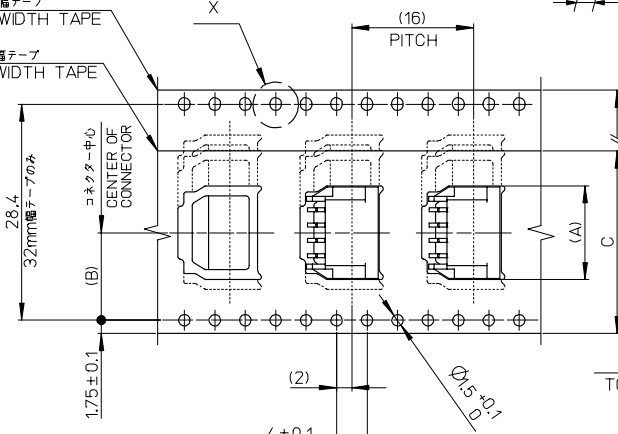


注記
NOTES

- 製品番号502352-x*00 詳細寸法については、製品単体図面を参照下さい。
PART NO. 502352-x*00 . SEE SALES DRAWING FOR CONNECTOR
- 梱包数量: 700個/リール
NUMBER OF CONNECTORS 700PCS/REEL
- リードテープ長さ
LEAD TAPE LENGHT

32mm幅テープ
32mmWIDTH TAPE

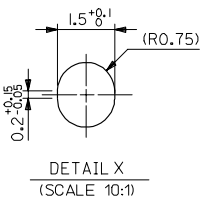
24mm幅テープ
24mmWIDTH TAPE



4. 材料

MATERIAL
 キャリアテープ: ポリスチレン
 CARRIER TAPE: POLYSTYRENE
 トップテープ: PET, PE, PEF
 TOP TAPE
 リール: ポリスチレン
 REEL: POLYSTYRENE

37.4	33.4	32	14.2	20.3	502352-0808	502352-0800	8
				16.3	502352-0608	502352-0600	6
29.4	25.4	24	11.5	12.3	502352-0408	502352-0400	4
				8.3	502352-0208	502352-0200	2
E	D	C	(B)	(A)	CONNECTOR	エンボス梱包品 製品番号 MATERIAL NO.	極数 CKT.



引き出し方向
PULL OUT DIRECTION

エンボステープ内の製品の向き
DIRECTION OF CONNECTOR
IN EMBOSSED TAPE

REVISED EC NO. J2008-0463 DRWN:SHIBATA 2007/09/26 CHK:HKOMATSU 2007/09/27 APPR:AKANESHIGE 2007/09/27	GENERAL TOLERANCES (UNLESS SPECIFIED)		DIMENSION STYLE MM ONLY		SCALE ---	DESIGN UNITS METRIC	THIRD ANGLE PROJECTION
	10 UNDER	±0.2	DRAWN BY SHSHIBATA	DATE 2007/6/6	TITLE 2.0MM PITCH W/B CONN. WAFFER ASSY EMBOSSED TAPE PACKAGE		
	10 OVER 30 UNDER	±0.25	CHECKED BY TAITO	DATE 2007/6/6	MOLEX MOLEX INCORPORATED		
	30 OVER	±0.3	APPROVED BY AKANESHIGE	DATE 2007/6/6	DOCUMENT NO. SD-502352-002		
	ANGULAR	±1 °	MATERIAL NO.	SEE CHART	SHEET NO. 1 OF 1		
A	DRAFT WHERE APPLICABLE MUST REMAIN WITHIN DIMENSIONS		SIZE A3	THIS DRAWING CONTAINS INFORMATION THAT IS PROPRIETARY TO MOLEX INCORPORATED AND SHOULD NOT BE USED WITHOUT WRITTEN PERMISSION			