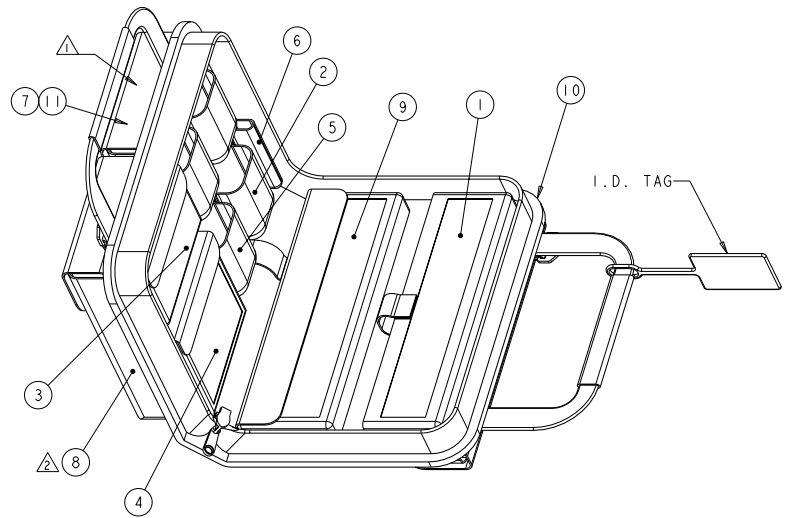


THIS DRAWING IS UNPUBLISHED. RELEASED FOR PUBLICATION
 BY TYCO ELECTRONICS CORPORATION. ALL RIGHTS RESERVED.

| REV | DATE | BY | CHKD | APPROV |
|-----|-----------|----|------|--------|
| H | 19MAY2006 | BB | DK | |
| J | 09JAN2009 | BB | DK | |



△ TE INSTRUCTION SHEETS AND MANUFACTURER'S INSTRUCTION SHEETS.
 △ OPTIONAL SHOULDER STRAP.

| QTY | UNIT | PART NUMBER | DESCRIPTION | ITEM NO. |
|-----|------|-------------|--|----------|
| 1 | I | 2064710-1 | FIBER OPTICS CLEANING & INSPECTION GUIDE | 11 |
| 1 | I | 1278540-1 | PREMIUM SOFTCASE | 10 |
| 1 | - | 1754767-1 | 200x MICROSCOPE | 9 |
| 1 | I | 1871696-1 | FIBER CLEAVER, SLIDE CUTTER | 8 |
| 1 | I | 1374503-1 | CD ROM, TERMINATION TRAINING | 7 |
| 2 | 2 | 1278422-1 | OPEN END WRENCH, 1/4 | 6 |
| 1 | I | 1278637-1 | KEVLAR SHEARS | 5 |
| 1 | I | 492703-1 | CABLE CLAMP, LightCrimp Plus ST | 4 |
| 14 | 14 | 501857-2 | ALCOHOL WIPES | 3 |
| 1 | I | 1754708-1 | FIBER STRIP TOOL, COMB. | 2 |
| 1 | I | 492623-1 | HAND TOOL WITH DIESET, ST | 1 |
| -2 | -1 | PART NUMBER | DESCRIPTION | ITEM NO. |

| | | | | |
|-----------------------|--|--|--|----------------|
| DIMENSIONS: mm | TO FINISHES ONLY: 0 PLC ±. 1 PLC ±. 2 PLC ±. 3 PLC ±. 4 PLC ±. ANGLES ±. FINISH | DWG: B. BRIGGS 19MAY2006 CHK: D. A. RIRSCH 19MAY2006 APPR: S. BUCHTER 19MAY2006 PRODUCT SPEC: APPLICATION SPEC: WEIGHT: CUSTOMER DRAWING | Tyco Electronics Harrisburg, PA 17105-3608 NAME: TERMINATION KIT, LightCrimp Plus, ST STYLE SCALE: NTS SHEET 1 OF 1 REV J | RESTRICTED TO: |
|-----------------------|--|--|--|----------------|