

FEATURES AND SPECIFICATIONS

Features and Benefits

- "Offset Terminal Retention" for optimum retention to PC board during wave soldering
- Fully polarized to mating receptacle
- Peg feature provides polarization to PCB
- Surface Mount Compatible

Reference Information

Product Specification: PS-43650
 Packaging: Tray
 UL File No.: E29179
 CSA File No.: LR19980
 TUV License No.: R95107
 Mates With: **43645**
 Designed In: Millimeters

Electrical

Voltage: 250V
 Current: 5.0A max.
 Contact Resistance: 10mΩ max.
 Dielectric Withstanding Voltage: 1500V AC
 Insulation Resistance: 1000 MΩ min.

Mechanical

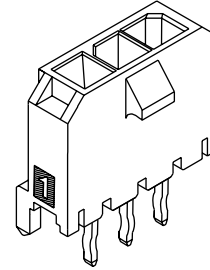
Insertion Force to PCB: 7.5kgf max. (16.5 lb)

Physical

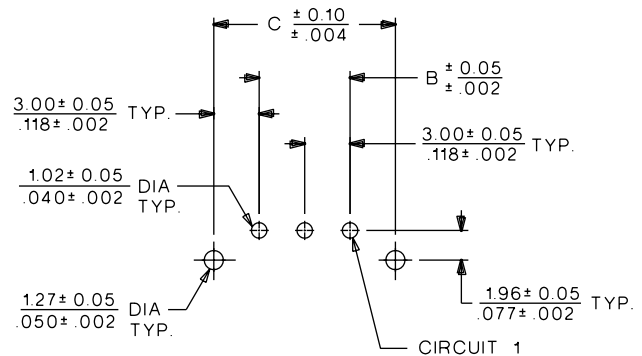
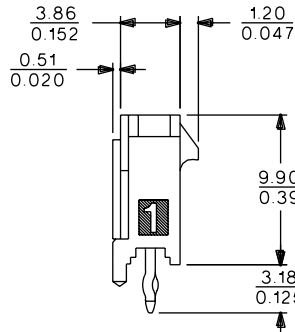
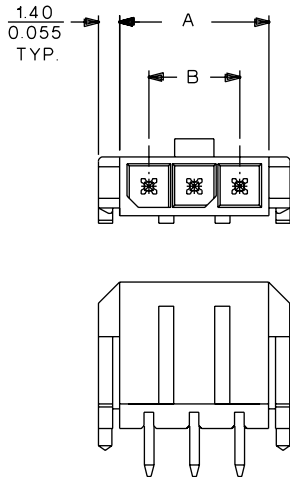
Housing: High temperature LCP, UL 94V-0
 Contact: Brass
 Plating: Tin or Gold

molex® 3.00mm (.118") Pitch Micro-Fit 3.0™ Wire-to-Board Header

43650 Single Row Vertical



CATALOG DRAWING (FOR REFERENCE ONLY)



PCB LAYOUT: COMPONENT SIDE

RECOMMENDED PCB THICKNESS = $\frac{1.57}{.062}$

ORDERING INFORMATION AND DIMENSIONS

Circuits	Order No.						Dimension		
	Standard "OTR" Version			Straight Tail Version			A	B	C
	Tin	15μ" Gold	30μ" Gold	Tin	15μ" Gold	30μ" Gold			
2	43650-0215	43650-0216	43650-0217	43650-0227	43650-0228	43650-0229	6.85 (.270)	3.00 (.118)	9.00 (.354)
3	43650-0315	43650-0316	43650-0317	43650-0327	43650-0328	43650-0329	9.85 (.388)	6.00 (.236)	12.00 (.472)
4	43650-0415	43650-0416	43650-0417	43650-0427	43650-0428	43650-0429	12.85 (.506)	9.00 (.354)	15.00 (.591)
5	43650-0515	43650-0516	43650-0517	43650-0527	43650-0528	43650-0529	15.85 (.624)	12.00 (.472)	18.00 (.708)
6	43650-0615	43650-0616	43650-0617	43650-0627	43650-0628	43650-0629	18.85 (.742)	15.00 (.591)	21.00 (.827)
7	43650-0715	43650-0716	43650-0717	43650-0727	43650-0728	43650-0729	21.85 (.860)	18.00 (.709)	24.00 (.945)
8	43650-0815	43650-0816	43650-0817	43650-0827	43650-0828	43650-0829	24.85 (.978)	21.00 (.827)	27.00 (1.063)
9	43650-0915	43650-0916	43650-0917	43650-0927	43650-0928	43650-0929	27.85 (1.096)	24.00 (.945)	30.00 (1.181)
10	43650-1015	43650-1016	43650-1017	43650-1027	43650-1028	43650-1029	30.85 (1.215)	27.00 (1.063)	33.00 (1.299)
11	43650-1115	43650-1116	43650-1117	43650-1127	43650-1128	43650-1129	33.85 (1.333)	30.00 (1.181)	36.00 (1.417)
12	43650-1215	43650-1216	43650-1217	43650-1227	43650-1228	43650-1229	36.85 (1.451)	33.00 (1.299)	39.00 (1.535)