

THIS DRAWING IS UNPUBLISHED. RELEASED FOR PUBLICATION  
 © COPYRIGHT BY TYCO ELECTRONICS CORPORATION. ALL RIGHTS RESERVED.

LOC	DIST	REVISIONS					
GZ	00	P	LTR	DESCRIPTION	DATE	DWN	APVD
		A		NEW FORMAT & EC0720-0089-04	13FEB04	MD	KH

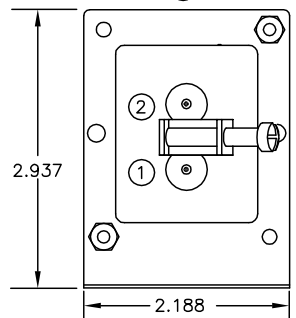
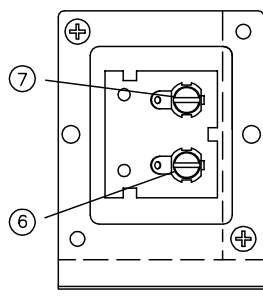
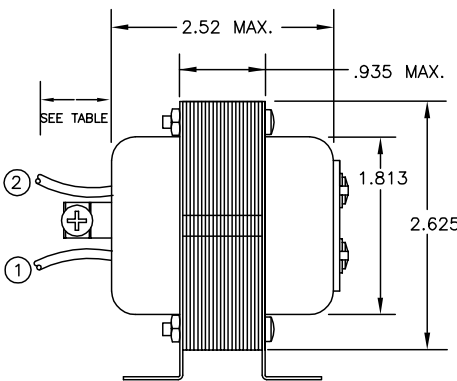
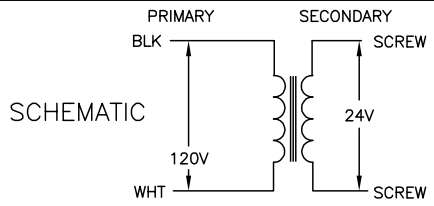
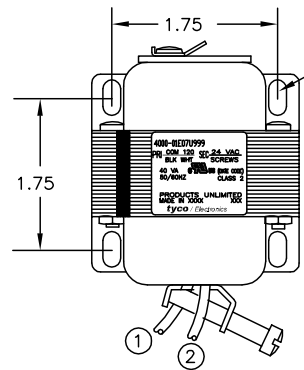
ALL LEADS 18AWG-UNLESS OTHERWISE SPECIFIED

PRIMARY					
LEAD NO.	1	2	3	4	5
VOLTAGE	COM	120			
COLOR	BLK	WHT			
LENGTH	12.0	12.0			
STRIP LENGTH	.50	.50			

- NOTES
1. DIMENSIONS FOR REFERENCE ONLY.
  2. ALL LEADS +1"/-0" TOL.
  3. STRIP TOL. ±1/32
  4. WINDING PROTECTION-INHERENTLY LIMITING

CERTIFICATION:  
UL & CUL FILE NO. E87824

SECONDARY				
LEAD NO.	6	7	8	9
VOLTAGE	24	VAC		
COLOR				
LENGTH	SCREW	SCREW		
STRIP LENGTH				



CUST. NO.	TYCO PART NUMBER
-	4-1611453-9

THIS DRAWING IS A CONTROLLED DOCUMENT.

DIMENSIONS:	TOLERANCES UNLESS OTHERWISE SPECIFIED:
INCHES	
0 PLC	± -
1 PLC	± -
2 PLC	± -
3 PLC	± -
4 PLC	± -
ANGLES	± -
MATERIAL	FINISH
-	-

DWN	13FEB04
M.DAVIS	
CHK	13FEB04
K.HOLSCHUH	
APVD	13FEB04
K.HOLSCHUH	
PRODUCT SPEC	
APPLICATION SPEC	
WEIGHT	
CUSTOMER DRAWING	

Products		Tyco Electronics Corporation	
Harrisburg, Pa 17105-3608		NAME	
TRANSFORMER OUTLINE		RESTRICTED TO	
SIZE	CAGE CODE	DRAWING NO	RESTRICTED TO
A3	00779	C=4000-01E07U999	-
SCALE		SHEET	REV
NTS		1 of 1	A