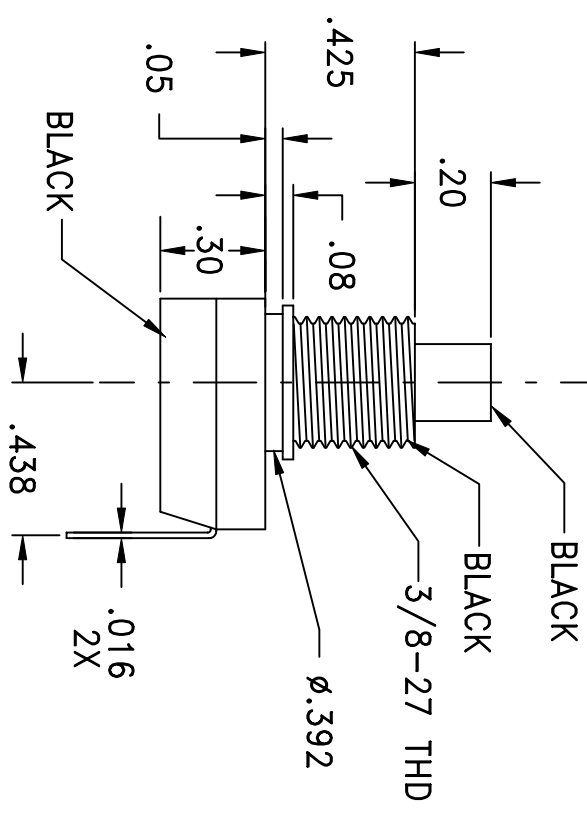
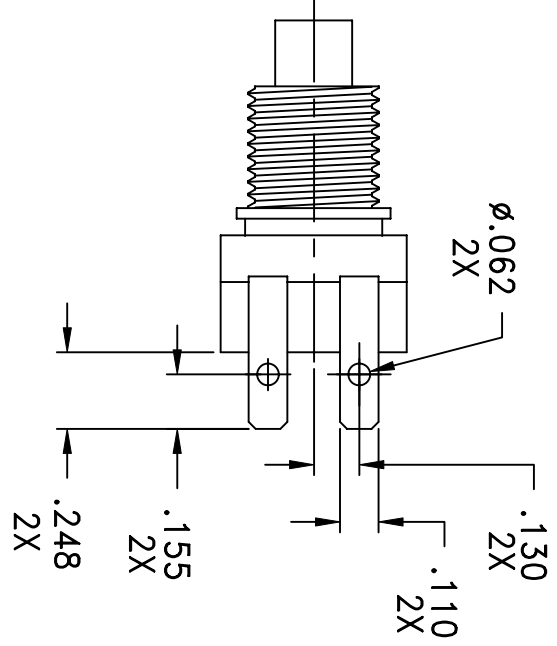
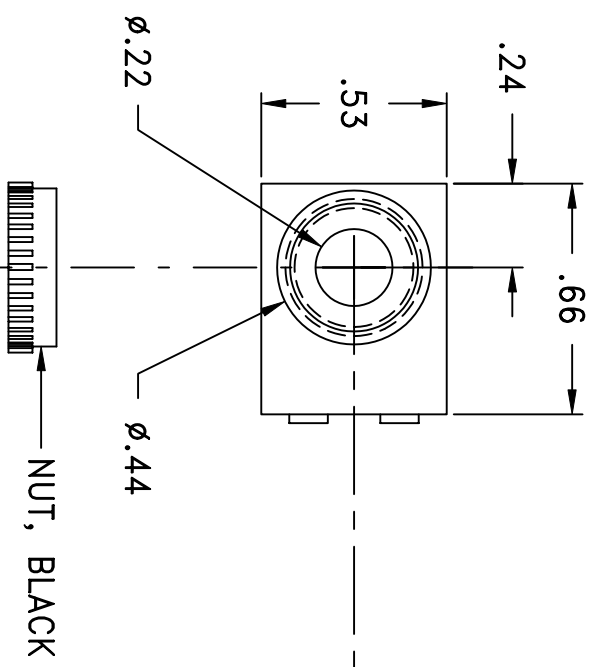


LTR	EN	DESCRIPTION	APPR	BY	DATE
A	-	INITIAL RELEASE	MT	DC	12-28-07



JUDCO INVENTORY NO. 40-4685-00  
 SWITCH TYPE: SPST, PUSH ON - PUSH OFF  
 UL ELECTRICAL RATING: 14 VDC, 10A  
 UL TEMPERATURE RATING: 55°C  
 NUT INCLUDED

CUSTOMER: DIGI-KEY  
 CUSTOMER PN: TBD

APPROVED BY: \_\_\_\_\_  
 DATE: \_\_\_\_\_

DIMENSIONS IN INCHES  
 DIMENSIONS ARE REFERENCE

DRAWN: DC 12-28-07		TITLE: HARBOR CITY CALIFORNIA	
APPR: KJ 12-28-07		OUTLINE	
ENG'G: IS 12-28-07		J-188A-1 ULDC W/BENT TRM:	
1415U1281A.DWG		DWG. NO. 1415-1281	
SHEET		1 OF 1	

This document embodies a product, component, and/or design proprietary to JUDCO MANUFACTURING INC., and which is protected either as a trade secret, by U.S. Patent, or by copyright. It may not be used in any way without written express consent of JUDCO MANUFACTURING INC.