

4

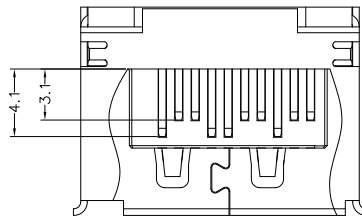
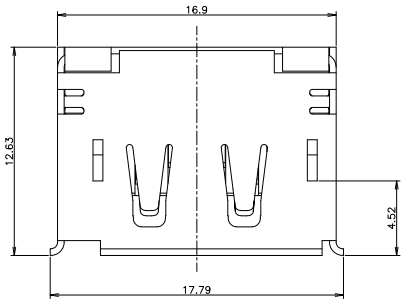
3

2

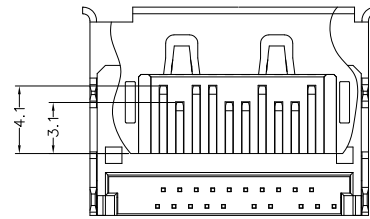
1

THIS DRAWING IS UNPUBLISHED. RELEASED FOR PUBLICATION JAN. 2008.
 © COPYRIGHT 2008 BY - ALL RIGHTS RESERVED.

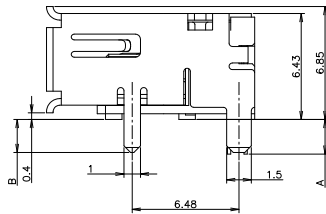
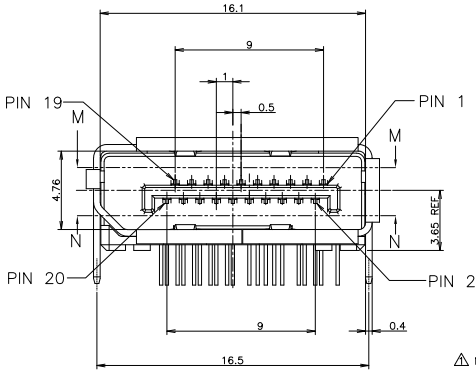
LOC	DIST	REV	REVISIONS	DATE	BY	APP'D
DW		F	LR			
		C1	REVISED PER ECO-11-005027	11MAR11	RK	HMR



© M-M



© N-N



- ▲ MATERIAL:
HOUSING: HIGH TEMPERATURE THERMAL PLASTIC, BLACK, UL94V-0.
CONTACT: COPPER ALLOY.
SHELL: COPPER ALLOY.
- ▲ FINISH:
CONTACT:
CONTACT AREA: GOLD PLATING (SEE TABLE)
SOLDER TAIL AREA: 2.54 MINIMUM MICRON MATTE TIN PLATING.
UNDER PLATING: 1.27 MINIMUM MICRON NICKEL PLATING OVERALL.
SHELL:
②② 2.0 MINIMUM MICRON NICKEL UNDERPLATING ALL OVER
- ③ 3. LOW HALOGEN SPECIFICATION
CHLORINE(C) : 900 ppm MAX.
BROMINE(Br) : 900 ppm MAX.
CHLORINE(C) & BROMINE(Br) : 1500 ppm MAX.

①	DIM B	DIM A	△ Au (MIN. um)	P/N	PACKING	
①	1.8	1.8	0.76	9-	-1	SEE SHEET 5
			GOLD FLASH	4-	-3	SEE SHEET 4
②	1.8	1.8	0.38	4-	-2	SEE SHEET 4
			GOLD FLASH	4-	-1	SEE SHEET 4
③	2	2.1	0.76		-3	SEE SHEET 3
			GOLD FLASH		-2	SEE SHEET 3
			0.76	2040451-1		SEE SHEET 3

THIS DRAWING IS A CONTROLLED DOCUMENT.

DIM	Y. HIRATA	19MAR2008
CHK	T. KUSUHARA	19MAR2008
APP	T. KUSUHARA	19MAR2008
NAME	TE Connectivity	
PRODUCT SPEC	RECEPTACLE ASSEMBLY DISPLAYPORT RA TH 2ROW TINE	
APPLICATION SPEC	08-78515	
REVISIONS	SIZE: A2, CASE CODE: 00779, DRAWING NO: 2040451	
WEIGHT	RESTRICTED TO	
MATERIAL	CUSTOMER DRAWING	
FINISH	SCALE: 6:1, SHEET: 1 of 5, REV: C1	

4

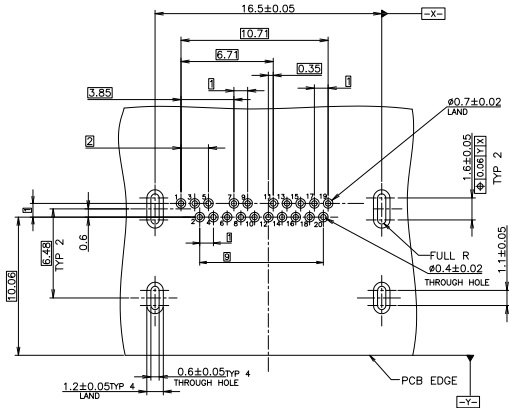
3

2

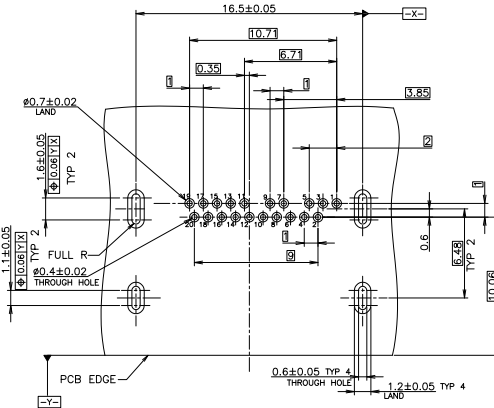
1

THIS DRAWING IS UNPUBLISHED. RELEASED FOR PUBLICATION JAN. 2008.
 ALL RIGHTS RESERVED.

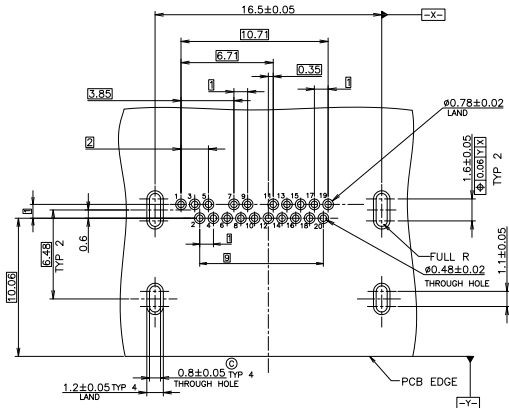
LOC	DIST	REVISIONS	DATE	OWN	APPD
J		F LWR			
		DESCRIPTION			
		SEE SHEET 1			



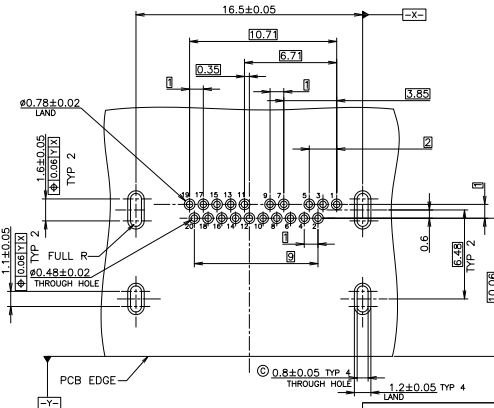
RECOMMENDED PCB LAYOUT (THICKNESS=1.6±0.1)
 BOTTOM VIEW
 (FOR 2040451-1 ~ -3)



RECOMMENDED PCB LAYOUT (THICKNESS=1.6±0.1)
 TOP VIEW
 (FOR 2040451-1 ~ -3)



RECOMMENDED PCB LAYOUT (THICKNESS=1.6±0.1)
 BOTTOM VIEW
 (FOR 4-2040451-1 ~ -3)
 (FOR 9-2040451-1)



RECOMMENDED PCB LAYOUT (THICKNESS=1.6±0.1)
 TOP VIEW
 (FOR 4-2040451-1 ~ -3)
 (FOR 9-2040451-1)

NOTE: THE DIFFERENCE IS THE LAND DIAMETER.

THIS DRAWING IS A CONTROLLED DOCUMENT.

DIMENSIONS: SIZE: mm	TOLERANCES UNLESS OTHERWISE SPECIFIED:	DATE	NAME
	0 P.L.C ± 0.3	DATE	DATE
MATERIAL	1 P.L.C ± 0.3	DATE	DATE
	2 P.L.C ± 0.3	DATE	DATE
FINISH	3 P.L.C ± 0.3	DATE	DATE
	4 P.L.C ± 0.3	DATE	DATE
ANGLES		DATE	DATE
± 7		DATE	DATE

TE Connectivity
 RECEPTACLE ASSEMBLY
 DISPLAYPORT RA TH 2ROW TINE

SIZE: A2, ONE CODE: 00779, DRAWING NO: 2040451
 CUSTOMER DRAWING, SHEET 2 of 5, REV C1

4

3

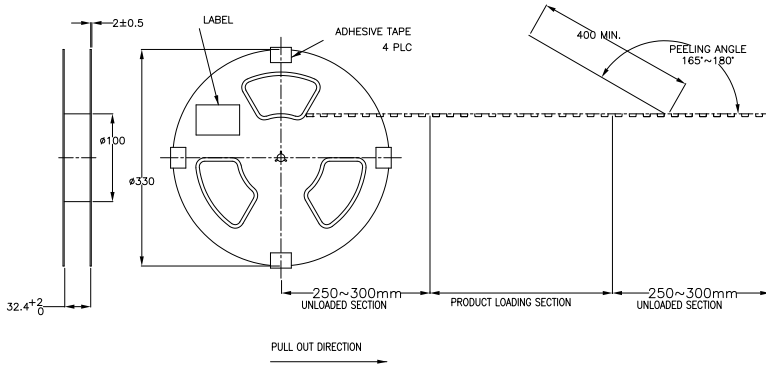
2

1

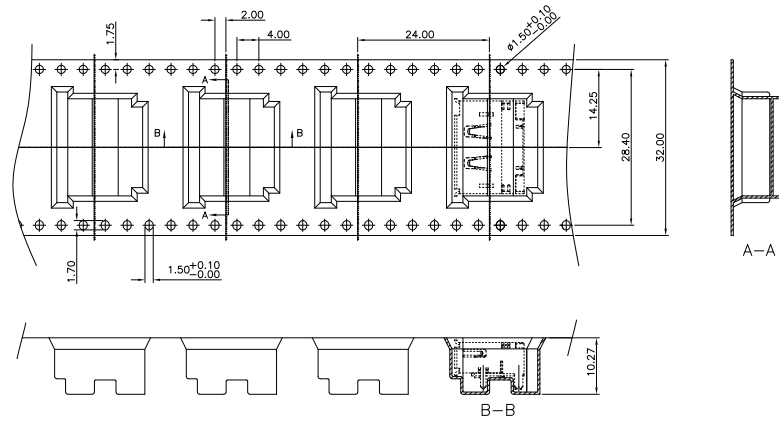
THIS DRAWING IS UNPUBLISHED. RELEASED FOR PUBLICATION JAN. 2008.
 © COPYRIGHT 2008 BY ALL RIGHTS RESERVED.

LOC	DIST	REVISIONS				
F	LR	REV	DESCRIPTION	DATE	DWN	APPD
-	-	1	SEE SHEET 1	-	-	-

PACKING FOR 2040451-1 ~ -3



- 1 PRIMARY PACKING: 250PCS /REEL;
- 2 PEELING RESISTANCE: 0.1~0.7N (10.2gf~71.4gf).
- 3 PEELING SPEED: 300mm/minutes.
- 4 CARRIER TAPES, COVER TAPES, REELS AND TAPED COMPONENTS MUST MEET THE REQUIREMENTS DEFINED PER EIA-481-B.



THIS DRAWING IS A CONTROLLED DOCUMENT.		DWN	TE Connectivity	
DIMENSIONS: 单位: mm		CHK	RECEPTACLE ASSEMBLY	
TOLERANCES UNLESS OTHERWISE SPECIFIED:		NAME	DISPLAYPORT RA TH 2ROW TINE	
0 PLC	± 0.3	PRODUCT SPEC	SIZE	
1 PLC	± 0.3	APPLICATION SPEC	CAGE CODE	
2 PLC	± 0.3	OTHER REQS.	DRAWING NO	
3 PLC	± 0.3	FINISH	A2 00779 2040451	
4 PLC	± 0.3	ANGLES	RESTRICTED TO	
MATERIAL		WEIGHT	CUSTOMER DRAWING	
FINISH		SCALE	SHEET 3 of 5	
CUSTOMER DRAWING		SCALE	REV C1	

1471-9 (3/13)

2040451

A

4

3

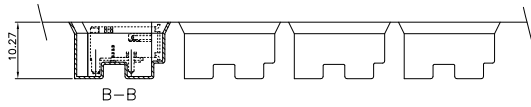
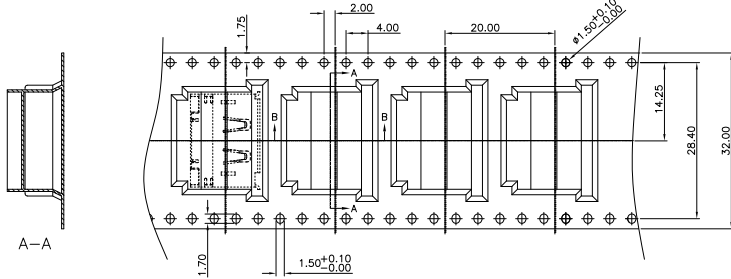
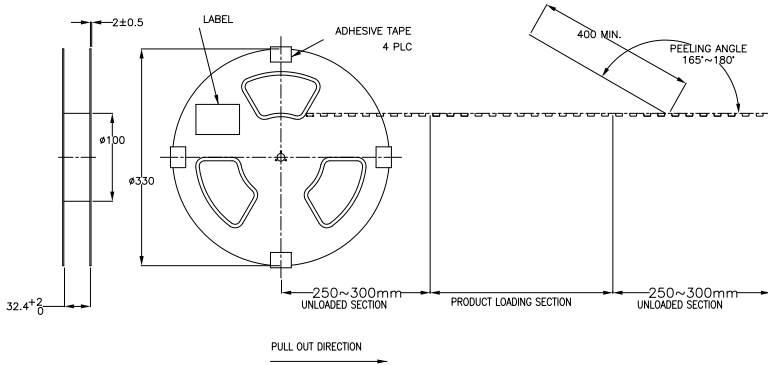
2

1

THIS DRAWING IS UNPUBLISHED. RELEASED FOR PUBLICATION JAN. 2008.
 ALL RIGHTS RESERVED.
 © COPYRIGHT 2008 By -

LOC	DIST	REVISIONS				
J	F	REV	DESCRIPTION	DATE	BY	APP'D
		-	SEE SHEET 1	-	-	-

⊕PACKING FOR 4-2040451-1 ~ -3



- 1 PRIMARY PACKING: 250PCS /REEL;
- 2 PEELING RESISTANCE: 0.1~0.7N (10.2gf~71.4gf).
- 3 PEELING SPEED: 300mm/minutes.
- 4 CARRIER TAPES, COVER TAPES, REELS AND TAPED COMPONENTS MUST MEET THE REQUIREMENTS DEFINED PER EIA-481-B.

THIS DRAWING IS A CONTROLLED DOCUMENT.		DWG	TE Connectivity	
		CHK		
DIMENSIONS: 尺寸 (mm)		TOLERANCES UNLESS OTHERWISE SPECIFIED: 公差 (mm)	NAME: 姓名	RESTRICTED TO: 限制
0 PLC ± 0.3		PRODUCT SPEC: 产品规格	SIZE: 尺寸	DRAWING NO: 图号
1 PLC ± 0.3		APPLICATION SPEC: 应用规格	A2	00779
2 PLC ± 0.3		WEIGHT: 重量	C=2040451	
3 PLC ± 0.3		FINISH: 表面处理	CUSTOMER DRAWING	
4 PLC ± 0.3		ANGLES: 角度	SCALE: 比例	NTS
			SHEET: 4 of 5	REV: C1

4

3

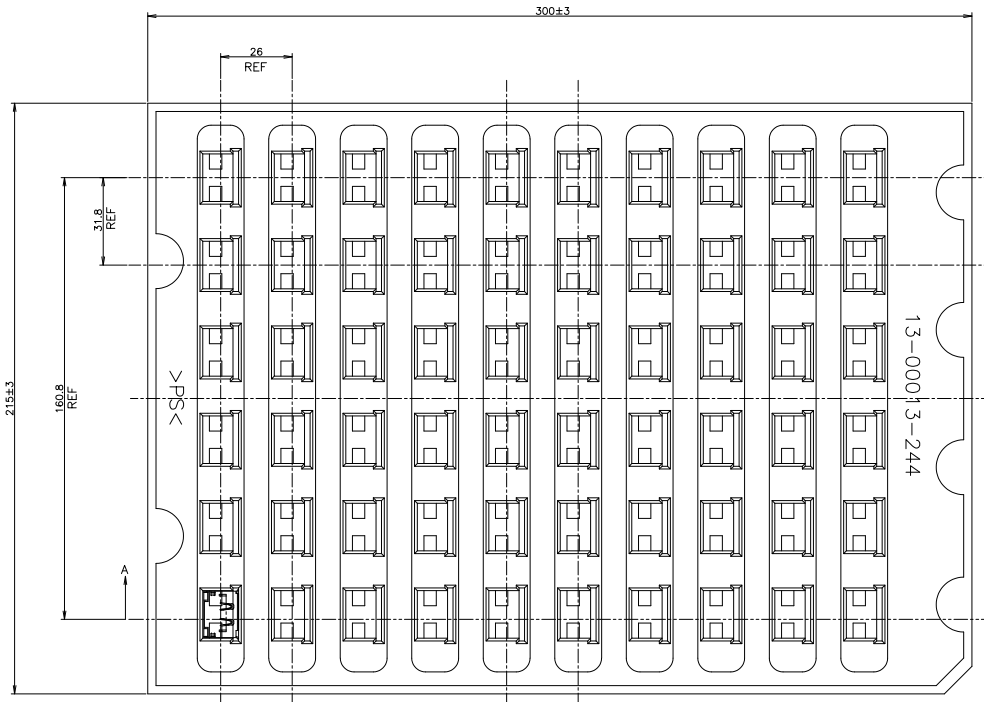
2

1

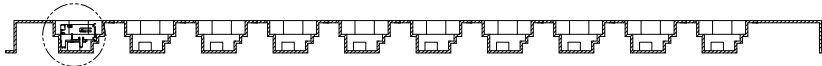
THIS DRAWING IS UNPUBLISHED. RELEASED FOR PUBLICATION JAN. 2008.
 © COPYRIGHT 2008 BY - ALL RIGHTS RESERVED.

LOC	DIST	REVISIONS			
F	LNK	DESCRIPTION	DATE	DMN	APD
-	-	SEE SHEET 1	-	-	-

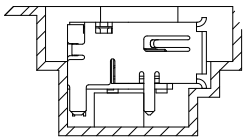
© PACKING FOR 9-2040451-1



11.75±1



SECTION A-A



NOTES:

1. PACKING MATERIAL TO BE MET TE CONNECTIVITY SPEC 230-702 .CADMIUM AND CADMIUM COMPOUNDS CONTENT: 50ppm UNDER(PLASTIC,RUBBER,INK,PINMENT,PAINT) .LEAD,CADMIUM,CHROM VI AND MERCURY CONTENT: 100ppm(COMBINED)UNDER.(IN PACKAGING MATERIAL)
2. MATERIAL: FS, WHITE; T=0.8mm.
3. 60 PCS/ TRAY

THIS DRAWING IS A CONTROLLED DOCUMENT.		DMN	TE Connectivity	
DIMENSIONS: 0 PLG ± 0.3		CHK	RECEPTACLE ASSEMBLY	
1 PLG ± 0.3		APPC	DISPLAYPORT RA TH 2ROW TINE	
2 PLG ± 0.3		PRODUCT SPEC	RESTRICTED TO	
3 PLG ± 0.3		APPLICATION SPEC	SIZE	CAGE CODE
4 PLG ± 0.3		FINISH	A2	00779
ANGLES ± 0.2		WEIGHT	DRAWING NO	
MATERIAL		CUSTOMER DRAWING	C=2040451	
FINISH		SCALE		
		NTS		
		SHEET		
		5 of 5		
		REV		
		C1		