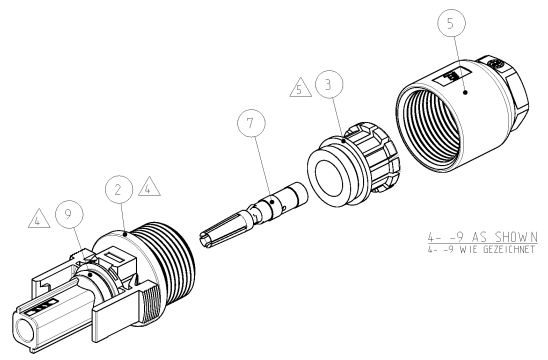
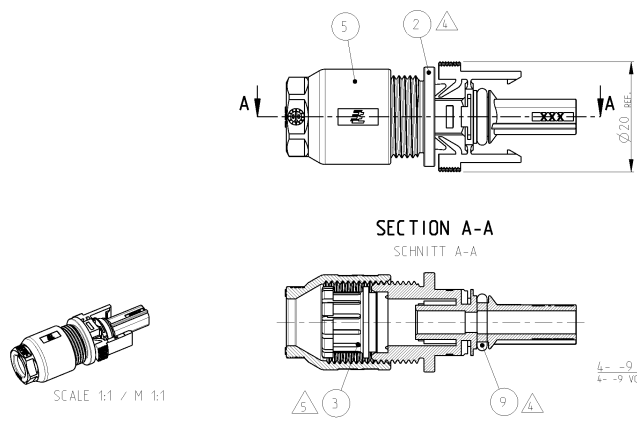
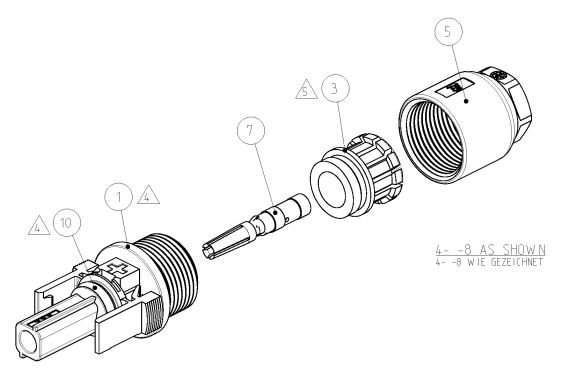
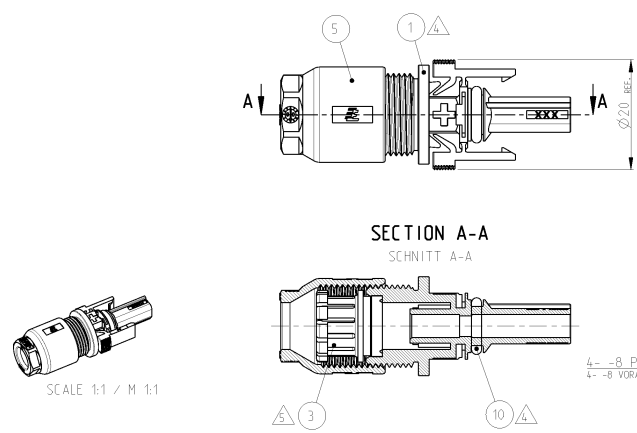






LOC.	QTY.	REV.	DATE	BY	APP'D.
A1	-	1			
PROJECT NO.:	SEE SHEET 1				
DATE:					
BY:					
APP'D.:					



DRAWN BY: WERNER		DATE: 05-SEP-00	<b>TE Connectivity</b>	
CHECKED BY: SCHERER		DATE: 05-SEP-00	NAME: PHOTOVOLTAIK CONNECTOR 1 POS. PHOTOVOLTAIK STECKVERBINDER 1 POL.	
APPROVED BY: EFFLIME		DATE: 05-SEP-00	TITLE: CAGE CODE DRAWING NO. A2 00779 C=1394462	
PRODUCT SPEC: 103-18701 APPLICATION SPEC: 116-18488 DRAWING TOLERANCES: AS SHOWN		DISTRIBUTED TO: - PART: - REV: L3		
MATERIAL: ZINNSILBERPLATTENFARBEN		SCALE: 1:1 SHEET: 3 OF 3		