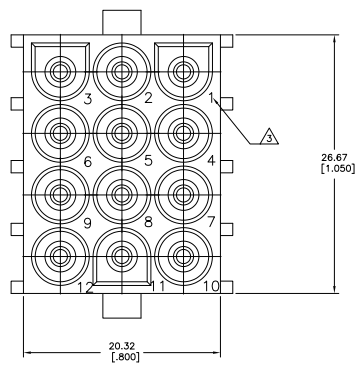
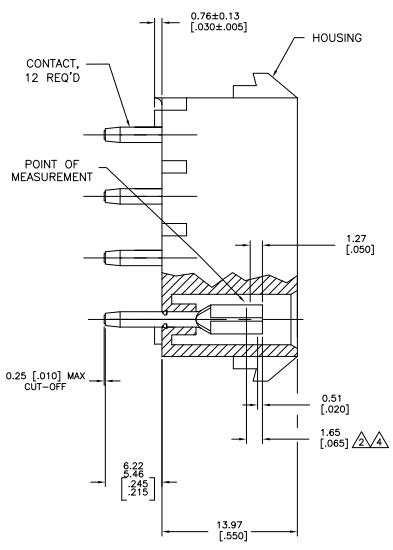
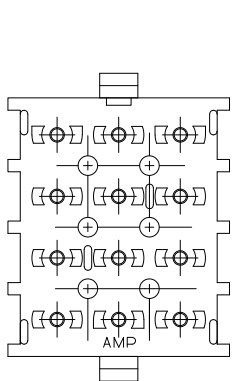
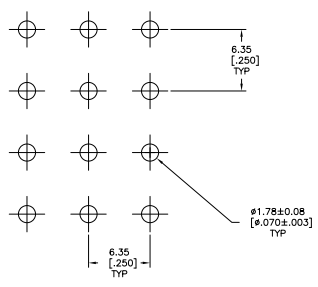


REV	DATE	DESCRIPTION	BY	CHK	APP
CM	00				
M1		REVISED PER ECO-08-019746			



- 1 PARTS MUST COMPLY WITH AMP SOLDERABILITY SPEC 109-11-3.
- △ CONTACT IS STAMPED FROM PRE-PLATED STOCK WHICH IS PLATED OVERALL WITH 0.00127 [.000050] NICKEL, THEN STRIPED WITH 0.00076 [.000030] GOLD IN CONTACT AREA INDICATED AND TIN-LEAD ON SOLDER TAIL END.
- △ CIRCUIT IDENTIFICATION CHARACTERS ARE ADJACENT TO THE INDICATED CAVITIES, BUT LOCATION AND ORIENTATION MAY DIFFER FROM PRINT.
- △ CONTACT IS PLATED OVERALL WITH 0.00127 [.000050] NICKEL, THEN 0.00076 [.000030] GOLD OVER CONTACT LENGTH INDICATED AND MATTE TIN ON SOLDER TAIL END.



RECOMMENDED LAYOUT FOR 3.18 [.125] THICK PC BOARD

PH BRZ GOLD △	NYLON,94V-0	350836-4
PH BRZ GOLD △	NYLON,94V-0	350836-2
PH BRZ TIN	NYLON,94V-0	350836-1
CONTACT	HOUSING	PART NO

THIS DRAWING IS A CONTROLLED DOCUMENT.

DESIGNED BY	DATE	BY	DATE
11/20/88	11/20/88	11/20/88	11/20/88

12 CIRCUIT UNIVERSAL MATE-N-LOK (TM) P.C. BOARD SOCKET HEADER ASSEMBLY

REVISED PER ECO-08-019746

100779 G-350836

CUSTOMER DRAWING

