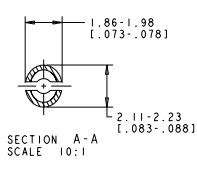
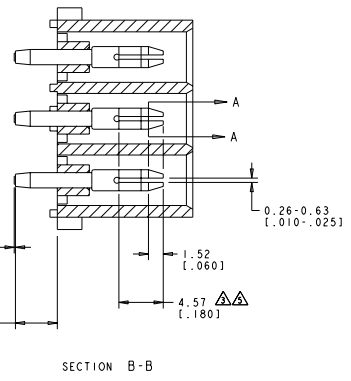
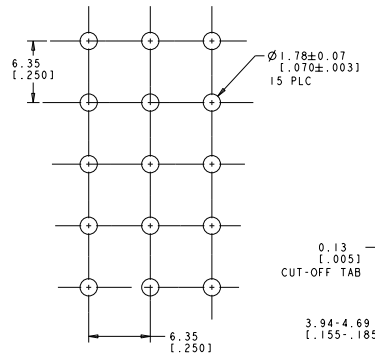
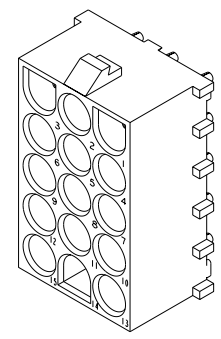
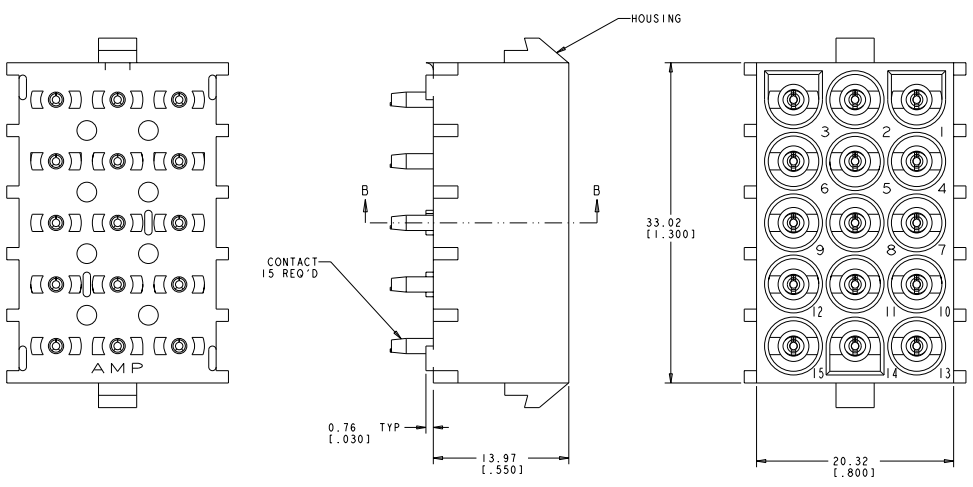


REVISED PER		DESCRIPTION	DATE	BY	CHK
11	005027	REVISED PER ECO-11-005027			

- MATES WITH HOUSING 480710.
- PARTS COMPLY TO AMP SOLDERABILITY SPECIFICATION 109-11-3.
- CONTACT IS PLATED OVERALL WITH 0.00127 [.000050] NICKEL, THEN 0.00076 [.000030] GOLD OVER CONTACT LENGTH INDICATED AND TIN LEAD ON SOLDER TAIL END.
- CIRCUIT IDENTIFICATION CHARACTERS ARE ADJACENT TO THE INDICATED CAVITIES, BUT LOCATION AND ORIENTATION MAY DIFFER FROM PRINT.
- CONTACT IS PLATED OVERALL WITH 0.00127 [.000050] NICKEL, THEN 0.00076 [.000030] GOLD OVER CONTACT LENGTH INDICATED AND MATTE TIN ON SOLDER TAIL END.
- DIMENSIONS IN BRACKETS ARE IN INCHES.



PHOSPOR BRONZE, GOLD	NYLON, UL94V-2, NATURAL	350434-4
PHOSPOR BRONZE, GOLD	NYLON, UL94V-2, NATURAL	350434-2
PHOSPOR BRONZE, PRE-TIN	NYLON, UL94V-2, NATURAL	350434-1
PIN CONTACT MATERIAL AND FINISH	HOUSING MATERIAL AND COLOR	PART NUMBER

RECOMMENDED MOUNTING HOLE PATTERN FOR 1.57 [0.062] THICK P.C. BOARD HOLE THAT CORRESPONDS TO REMOVED CONTACT CAN BE OMITTED



THIS DRAWING IS A CONTROLLED DOCUMENT.		DATE: 08/27/2005	
DESIGNED BY: J. BLIGELL	DATE: 08/27/2005	TE Connectivity	
DRAWN BY: J. BLIGELL	DATE: 08/27/2005	PIN HEADER ASSEMBLY, 15 CIRCUIT, UNIVERSAL MATE-N-LOK(TM)	
CHECKED BY: J. BLIGELL	DATE: 08/27/2005	SIZE: 00779	QTY: 350434
APPROVED BY: J. BLIGELL	DATE: 08/27/2005	CUSTOMER DRAWING	SCALE: 1:1