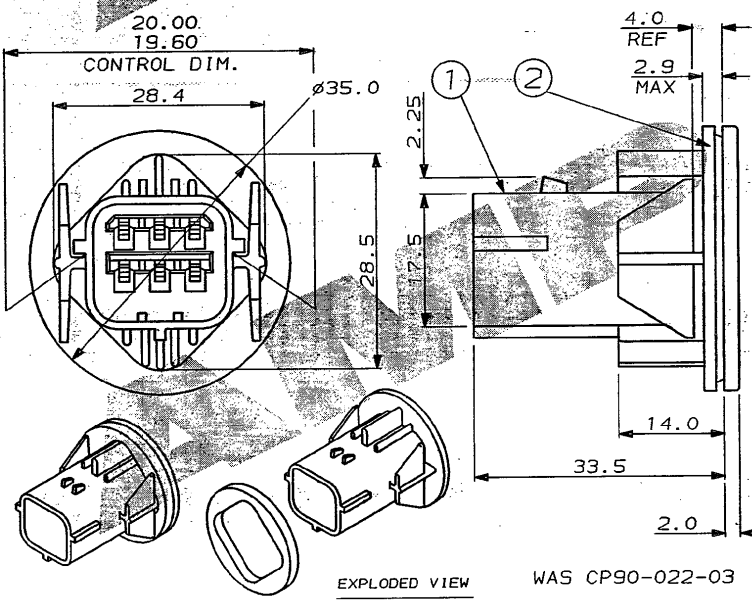
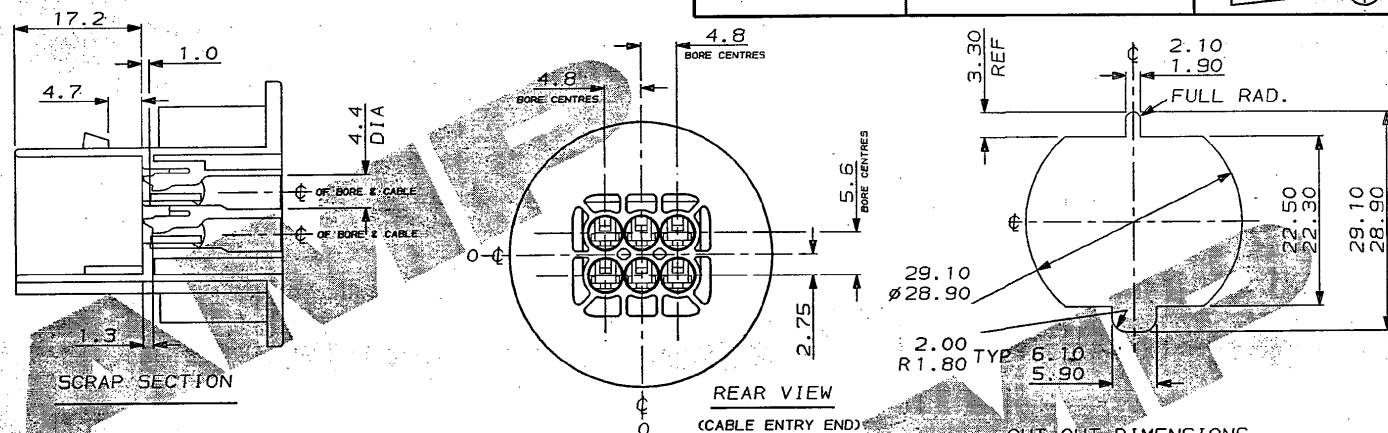


C.A.D. FILE CODE  
S. C346030.6

DO NOT SCALE. DIMENSIONS IN MM.



NOTES:  
1. THIS CONNECTOR CAN ALSO BE USED IN A PANEL WITH A CIRCULAR CUT-OUT OF 29.10/28.90 DIA.  
2. AFTER LATCHING CONNECTOR INTO PANEL CHECK THAT LATCH WINGS ARE FULLY SPRUNG OUTWARDS AND NOT TRAPPED BY THE EDGES OF THE PANEL CUT-OUT.

PROD. SPEC. 108-3069.  
APP. SPEC. 114-3040.

2	346029-1	FACE SEAL (MID-GREY)	1	346030-T
1	346028-1	6 WAY TAB HSG. (BLACK)	1	
ITEM No.	PART NUMBER	DESCRIPTION	QTY PER ASSY	ASSY. PT. NO.
CUSTOMER DWG FOR REFERENCE ONLY		COPYRIGHT 1990 BY AMP OF GREAT BRITAIN LTD. ALL INTERNATIONAL RIGHTS RESERVED. ALL PRODUCTS MAY BE COVERED BY BRITISH AND FOREIGN PATENTS AND/OR PATENTS PENDING.		RELEASED FOR PUBLICATION 14 MAY 1990
0	EB00-0436-9919898	TOLERANCES UNLESS OTHERWISE STATED : DEC ± 0.5 ANGLES ± 1°	DR. R. J. SIMMONS 7.11.90	
5	PICTORIAL CHANGE	C6176	5.5.92	CH. D.T.
5	ADDITIONAL VIEWS AND OTHERS/IONS ADDED.	C5805	1.10.91	APP. J.P.
4	REL. TO CUSTOMER	C5758	11.4.91	AMP of Great Britain Ltd. TERMINAL HOUSE STANMORE HIDD.
3	PICT. MOD. WHICH ADDS PARTS TO DESCRIPTION	C5723	26.2.91	
2	SEAL RE-DESIGNED	C5670	8.1.91	NAME: PANEL MT. 6 WAY TAB HSG. ASSY. ECONOSEAL 3 LOW CURRENT
1	PRELIM. ISSUE	-	7.11.90	SCALE: 2/1
REV	APPROVED	ECN	DATE	LOC: E SIZE: A3 DWS. No.: C346030
				REV: 1/1 SHEET: 1/1