

4

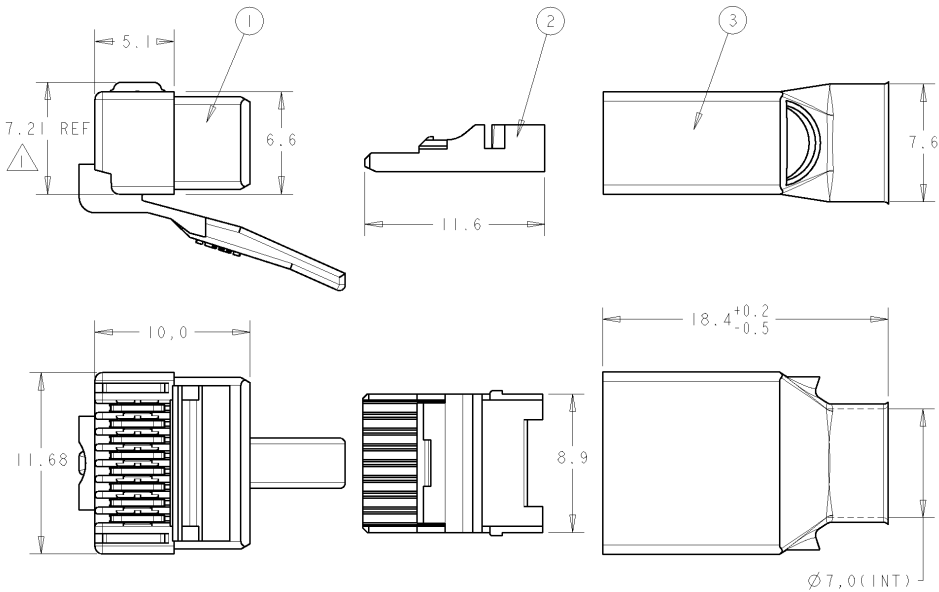
3

2

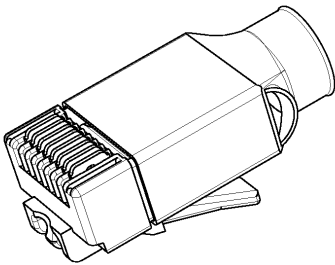
1

THIS DRAWING IS UNPUBLISHED. RELEASED FOR PUBLICATION 2008
 COPYRIGHT 2008 BY TYCO ELECTRONICS CORPORATION. ALL RIGHTS RESERVED.

| LOC | DIST | REVISIONS | | | |
|-----|------|---------------------------------|-----------|-----|------|
| P | LTR | DESCRIPTION | DATE | DWN | APVD |
| E | | Ni: 1,27 was 2,00. Added note 6 | 22OCT2008 | LD | JS |



- 1. TERMINATED DIMENSION: 6.02±0.13
- 2. PACKAGING:
1000 SUB-ASSEMBLIES,
1000 WIRE HOLDERS AND
1000 SHIELDS PER CARTON
- 3. CABLE RANGE:
-4 TWISTED PAIRS
-CABLE JACKET DIAMETER: FROM 6.0 TO 7.0
-SHIELDING: FOIL AND/OR BRAID
-24/26 AWG STRANDED WIRE
-INSULATION DIAMETER: FROM 0.8 TO 1.0
- 4. 1.27 MICRONS MINIMUM THICK GOLD IN LOCALIZED GOLD PLATE AREA, GOLD FLASH ON THE REMAINDER OVER 1.27 MICRONS MINIMUM THICK NICKEL UNDERPLATE.
- 5. MEET SPECIFICATIONS:
- IEC 60603-7
- TIA/EIA 568-B.2
- 6. FLAMMABILITY RATING: UL 94V-0



| | | | | |
|----|------------|----------------|---|------|
| 2 | NICKEL | BRASS | SHIELD | 3 |
| | --- | PC | WIRE HOLDER | 2 |
| | CONTACT: 4 | PC, PH. BRONZE | ASSY, 8 POSN, SHIELDED, ROUND CABLE, MOD PLUG | 1 |
| -1 | FINISH | MATERIAL | DESCRIPTION | ITEM |

| | | | |
|---|--|---|---|
| <small>THIS DRAWING IS A CONTROLLED DOCUMENT FOR ISO ACCREDITED ORGANIZATION. IT IS SUBJECT TO CHANGE AND THE CONTROLLING ENGINEERING ORGANIZATION SHOULD BE CONTACTED FOR THE LATEST REVISION.</small> | | DWN 30Jun08 L. de Dios CHK 30Jun08 A. Puell APVD 30Jun08 I. Sanabria | Tyco Electronics Tyco Electronics AMP España, S.A. Barcelona, Spain. |
| DIMENSIONS: mm | TOLERANCES UNLESS OTHERWISE SPECIFIED: 0 PLC ± 1 PLC ±0.2 2 PLC ±0.1 3 PLC ± 4 PLC ± ANGLES ± MATERIAL - FINISH - | NAME KIT, 8 POS, SHIELDED, OVERMOULD MOD PLUG -NO LOGO PRODUCT SPEC 108-19102 APPLICATION SPEC 114-22008 WEIGHT - | SIZE A3 CAGE CODE 00779 DRAWING NO C-336643 RESTRICTED TO - |
| CUSTOMER DRAWING | | SCALE 4:1 | SHEET 1 OF 1 REV E |

AMP 1470-19 REV 21MAR2000
 P10/ENGINEER DRAWING