

[Product Catalog for Electronic Specialty Markets](#) > [3M™ Cable & Assemblies](#) > [Internal Wiring](#) > [Color Coded Flat Cable, .050 in Pitch, 3302 Series](#) >

3M™ Color Coded, Flat Cable, .050" 28 AWG Stranded, Standard Version, 3302/40, 100 ft.

40 conductors, PVC

GTIN(UPC/EAN) : 0 00 54007 54420 3

3M Id : 80-6107-0606-3

Characteristics

Cable Style	Flat
Capacitance -- Balanced	0 Picofarad
Capacitance -- Unbalanced	14.1 Picofarad
Characteristic Impedance -- Unbalanced	105 Ohm
China RoHS - Below MCV	Yes
Color	10 Color Repeat, Clear Carrier
Conductor Material	Copper
Conductor Resistance	65 Ohm
EPC Can View	Public
EU RoHS Compliant	Yes
First Position Marking	Brown
Flammability Rating -- Canada	FT1
Flammability Rating -- EU	None
Flammability Rating--USA	VW-1
Impedance -- Balanced	0 Ohm
Impedance -- Unbalanced	105 Ohm
Inductance -- Balanced	0 Microhenry
Inductance -- Unbalanced	.15 Microhenry
Insulation Material	Polyvinyl Chloride (PVC)
Insulation Resistance	>1x10 ⁹ Ohm/10ft [3m]
Jacket	No
Lower Temperature Rating	-20 Degree Celsius
Material	Polyvinyl Chloride (PVC)
Number of Conductors	40

Pitch	0.050 Inch
Plating Material	Tin
Primary Configuration	Parallel
Primary Insulation Color	Multi
Primary Insulation Material	Polyvinyl Chloride (PVC)
Propagation Delay -- Balanced	0 Nanosecond
Propagation Delay -- Unbalanced	1.47 Nanosecond
Shape	Flat
Shield	No
Standard -- Canada	AWM 1A 80C 150V FT1
Standard -- USA	AWM 20462 105C 300V VW1 3M NU
Stranding	7 X 36 [7 X 0.127]
Temperature Rating: Canada	-20 Degree C to +80 Degree C
Temperature Rating: USA	-20 Degree C to +105 Degree C
UL File Number	E42769
UL Listed -- USA	None
UL Recognized -- USA	AWM Style 20462
UL Recognized-- Canada	IA
Unbalanced Capacitance	14.1 pF/ft [46.3 pF/m]
Unbalanced Inductance	.15 microHenry/ft [0.49 microHenry/m]
Upper Temperature Rating -- Canada	80 Degree Celsius
Upper Temperature Rating -- USA	105 Degree Celsius
Velocity of Propagation--Unbalanced	69% Unbalanced is measured between ground-signal-ground conductors.
Voltage Rating -- Canada	150 Volt
Voltage Rating -- EU	>0 to <50 Volt
Voltage Rating--USA	300V
Voltage Rating: Canada	150V
Voltage Rating: EU	<50V
Wire Gauge	28 American Wire Gauge (AWG)

[Product Catalog for Electronic Specialty Markets](#) > [3M™ Cable & Assemblies](#) > [Internal Wiring](#) > [Color Coded Flat Cable, .050 in Pitch, 3302 Series](#) > [3M™ Color Coded, Flat Cable, .050" 28 AWG Stranded, Standard Version, 3302/40, 100 ft.](#)

3M™ Color Coded, Flat Cable, .050" 28 AWG Stranded, Standard Version, 3302/40, 100 ft. Packaging

3M Id: 80-6107-0606-3

Minimum Order Quantity: 3.0 RLS

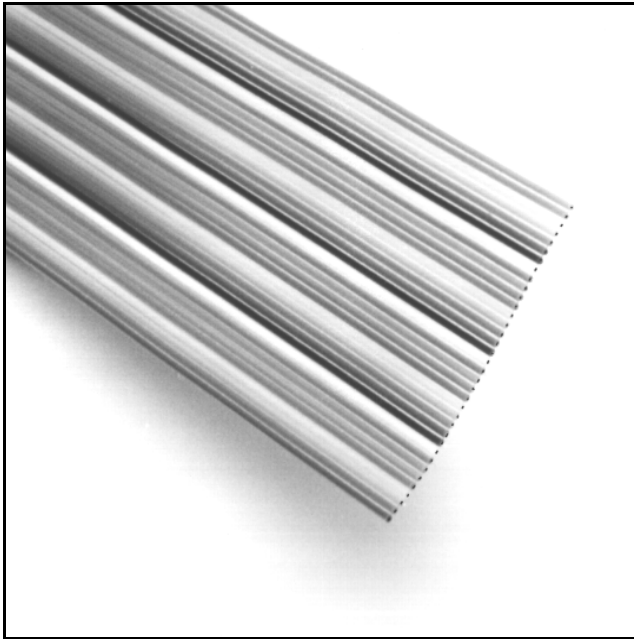
Case Quantity: 3.0 RLS

	English	Metric
Length	9.1 INCH	0.231 MTR
Width	9.1 INCH	0.231 MTR
Height	10.7 INCH	0.272 MTR
Gross Weight	18.0900 LBS	8.2055 KG

3M™ Color Coded Flat Cable

.050" 28 AWG Stranded, PVC

3302 Series



- 28 AWG wire on .050 inch centers permits mass termination to a broad line of IDC connectors
- Stranded wire provides flexibility and extended product life
- Zippable for branching or discrete termination
- Color coded for wire identification
- RoHS* Compliant

Date Modified: January 17, 2005

TS-0123-12
Sheet 1 of 2

Physical



Insulation

Material: Polyvinyl Chloride (PVC)

Color: 10 Color Repeat, Clear Carrier

Marking:

Standard: None

Canadian Option:  AWM 20462 105C 300V VW1 3M NU
 AWM IA 80C 150V FT1
EU <50V

Conductors: 28 AWG 7 × 36 [7 × 0.127] Tinned Stranded Copper

Electrical

Voltage Rating: USA: 300V

Canada: 150V

EU: <50V

Insulation Resistance: >1 x 10⁹Ω /10ft [3m]

Unbalanced

Characteristic Impedance: Unbalanced: 105 Ω

Capacitance: Unbalanced: 14.1 pF/ft. [46.3 pF/m]

Inductance: Unbalanced: .15 μH/ft. [0.49 μH/m]

Propagation Delay: Unbalanced: 1.47 ns/ft. [4.82 ns/m]

Velocity of Propagation: 69%

Note: Unbalanced is measured between ground-signal-ground conductors.

Environmental

Temperature Rating: -20°C to +105°C

Canada: -20°C to +80°C

Flammability Rating: USA: VW-1

Canada: FT1

UL File No.: E42769, Style No.: 20462

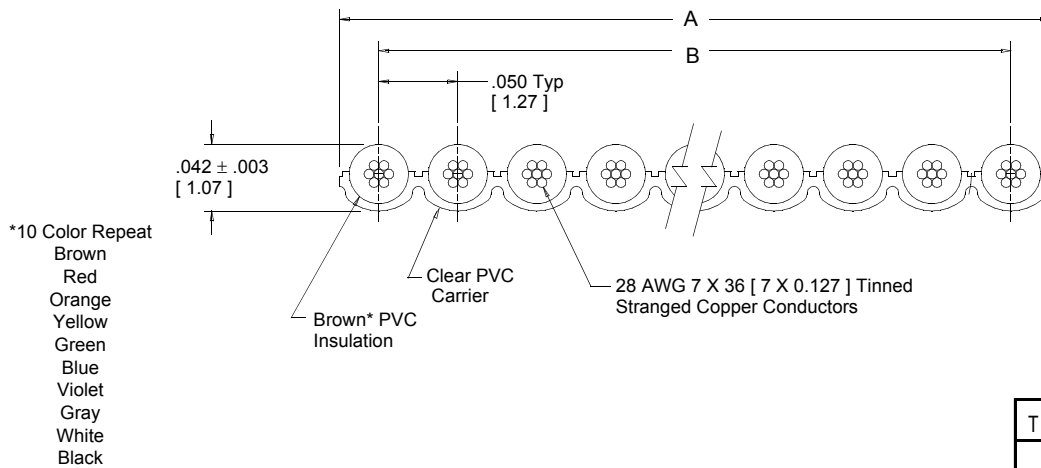
RoHS = Directive 2002/95/EC,
Restriction of the Use of Certain Hazardous Substances in Electrical and Electronic Equipment

3M™ Color Coded Flat Cable

.050" 28 AWG Stranded, PVC

3302 Series

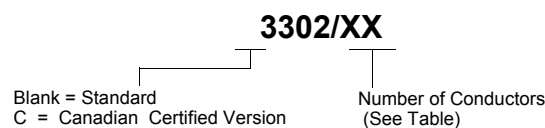
Number of Conductors	3M Part Number	Dimension A	Dimension B
09	3302/09	0.450 ± .015 [11.43]	0.400 ± .010 [10.18]
10	3302/10	0.500 ± .015 [12.70]	0.450 ± .010 [11.43]
14	3302/14	0.700 ± .015 [17.78]	0.650 ± .010 [16.51]
15	3302/15	0.750 ± .015 [19.05]	0.700 ± .010 [17.78]
16	3302/16	0.800 ± .020 [20.32]	0.750 ± .015 [19.05]
18	3302/18	0.900 ± .020 [22.86]	0.850 ± .015 [21.59]
20	3302/20	1.000 ± .020 [25.40]	0.950 ± .015 [24.13]
24	3302/24	1.200 ± .020 [30.48]	1.150 ± .015 [29.21]
25	3302/25	1.250 ± .020 [31.75]	1.200 ± .015 [30.48]
26	3302/26	1.300 ± .020 [33.02]	1.250 ± .015 [31.75]
30	3302/30	1.500 ± .025 [38.10]	1.450 ± .020 [36.83]
34	3302/34	1.700 ± .025 [43.18]	1.650 ± .020 [41.91]
36	3302/36	1.800 ± .025 [45.72]	1.750 ± .020 [44.45]
37	3302/37	1.850 ± .025 [46.99]	1.800 ± .020 [45.72]
40	3302/40	2.000 ± .025 [50.80]	1.950 ± .020 [49.53]
50	3302/50	2.500 ± .025 [63.50]	2.450 ± .020 [62.23]
60	3302/60	3.000 ± .025 [76.20]	2.950 ± .020 [74.93]
64	3302/64	3.200 ± .025 [81.28]	3.150 ± .020 [80.01]



Inch [mm]			
Tolerance Unless Noted			
	.0	.00	.000
inch	±.1	±.01	±.005

[] Dimensions for Reference Only

Ordering Information



Note: Available in standard lengths of 100 feet or 300 feet per roll, please specify when ordering.

TS-0123-12
Sheet 2 of 2