



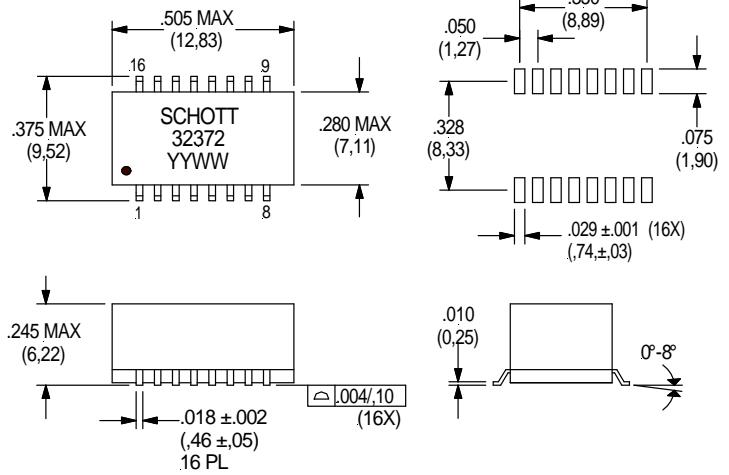
TITLE	T/I/E1/CEPT/ISDN-PRI DUAL TRANSFORMER	PN	32372	REV	D
AGENCY APPROVAL: NA			SH	2	OF 2

SPECIFICATIONS:

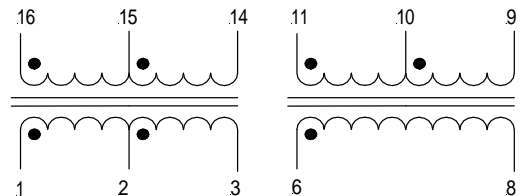
1. TURNS RATIO: (16 - 14):(1 - 3) = 1CT:2CT ±5 %
(6 - 8):(11 - 9) = 1:1.36CT ±5 %
2. INDUCTANCE: 10 kHz, 0.01 VRMS:
16 - 14; 6 - 8; 1.20 mH & 1.20 mH MIN.
3. LEAKAGE INDUCTANCE: 1 MHz, 0.10 VRMS:
16 - 14 (WITH 1,2,AND 3 SHORT) = 0.60 μH MAX.
6 - 8 (WITH 11,10,AND 9 SHORT) = 0.60 μH MAX.
4. INTERWINDING CAPACITANCE: 1 MHz:
PRI TO SEC; 30 & 30 pF MAX.
5. D.C. RESISTANCE: OHMS MAX
PRI = 0.70 & 0.70
(1 - 3) = 1.00
(11 - 9) = 0.80
6. RETURN LOSS: PRIMARY, 75 OHM REF:
51 kHz TO 102 kHz = 12 dB MIN.
102 kHz TO 2.048 MHz = 18 dB MIN.
2.048 MHz TO 3.072 MHz = 14 dB MIN.
NOTE: CONNECT 300 OHMS ON 1 - 3 FOR TEST
ON 16 - 14 AND 140 OHMS ON 11 - 9 FOR TEST
ON 6 - 8. TEST TO BE PERFORMED ON EACH SIDE
OF THE TRANSFORMER, INDEPENDENTLY.
7. DIELECTRIC VOLTAGE WITHSTAND FOR 1 MINUTE:
PRI TO SEC; 1500 VAC.
OR 2150 Vdc 1 SECOND ON VOLTECH
8. OPERATING TEMPERATURE RANGE: 0° TO 70°C
9. FLAMMABILITY: ALL MATERIALS RATED AS UL94-VO

NOTE:
PIN NUMBERS SHOWN
FOR REFERENCE ONLY

REF: PWB LAYOUT



NOTE: PRIMARY
PINS, 16 - 14; 6 - 8



1000 Parkers Lake Road, Wayzata, MN 55391, (952) 475-1173, www.schottcorp.com

TOLERANCES UNLESS OTHERWISE SPECIFIED	INCHES / DECIMAL	.XX = ± .01	.XXX = ± .010	ANGLES ± 1°
	MILLIMETERS (mm)	.XX = ± 0.20		